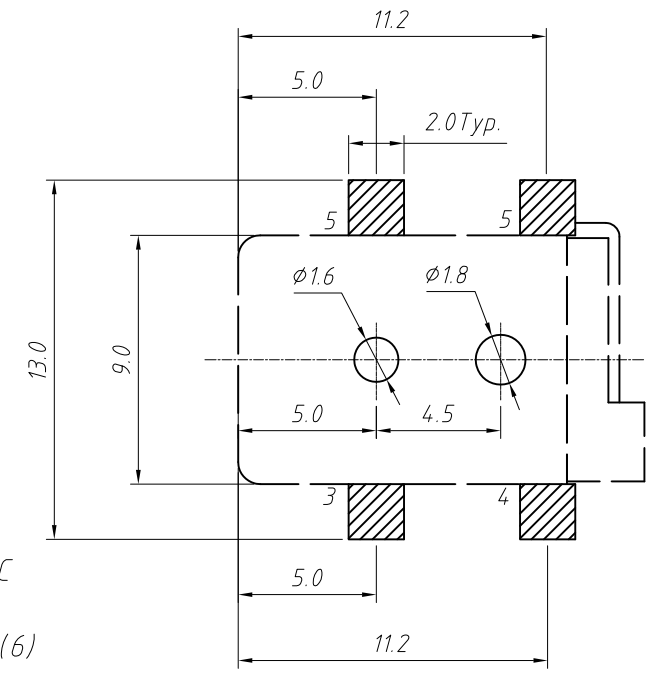
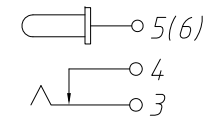


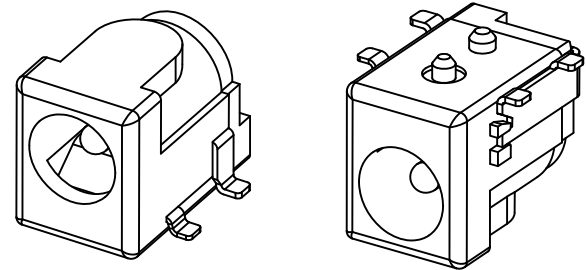
PCB LAYOUT TOP VIEW



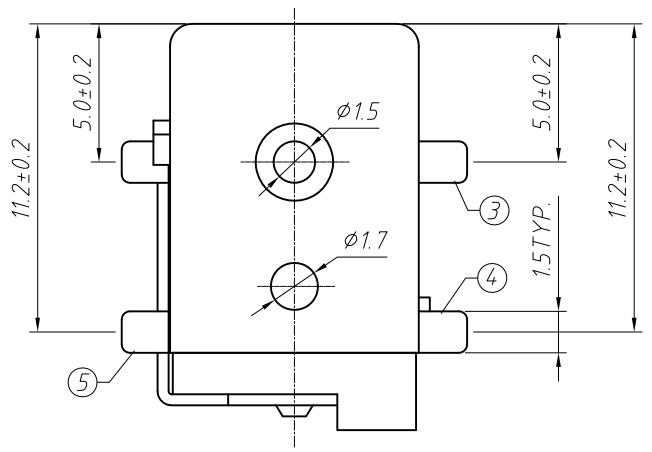
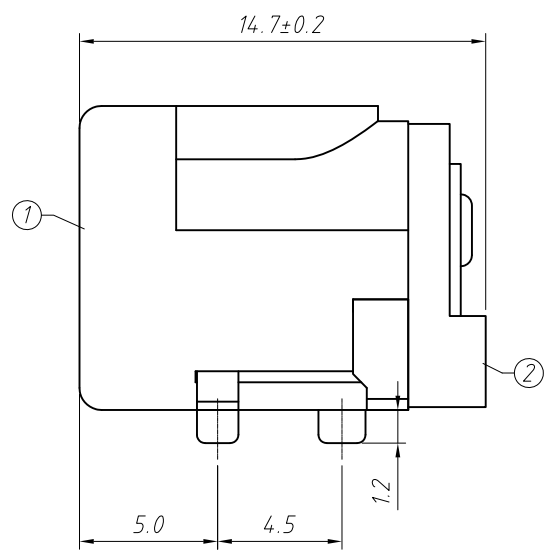
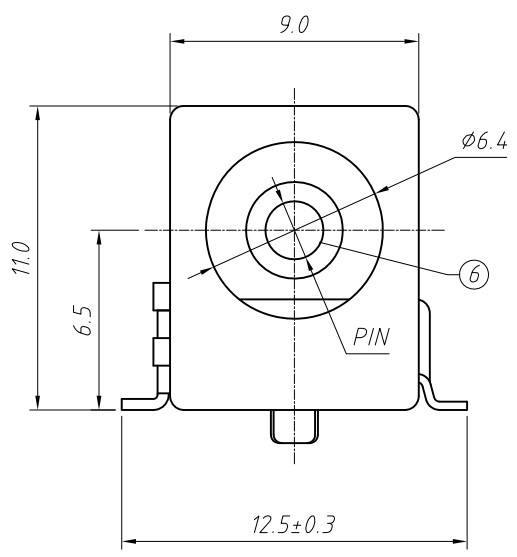
SCHEMATIC




|      |      |      |
|------|------|------|
| PIN  | φ2.0 | φ2.5 |
| APPD |      |      |



**SPECIFICATION**  
 Rated Load:DC 30V 2A  
 Contact resistance:30mΩ, max  
 Insulation resistance:100MΩ, min  
 Withstand Voltage:AC500V  
 Actuating Force:3-20N  
 Life:5000 cycles  
 Operating Temperature:-30°C-70°C



| NO. | Description  | QTY | Material | Plating    |
|-----|--------------|-----|----------|------------|
| 1   | Housing      | 1   | PA9T     | ---        |
| 2   | Cover        | 1   | PA9T     | ---        |
| 3   | Spring Piece | 1   | Bronze   | Ag-Plating |
| 4   | Curve Piece  | 1   | Brass    | Ag-Plating |
| 5   | Flat Foot    | 1   | Brass    | Ag-Plating |
| 6   | PIN          | 1   | Brass    | Ni-Plating |

| GENERAL TOLERANCE | PROJECTION | Symbol     | Description:  |
|-------------------|------------|------------|---|
| X. ±0.50          | UNITS      | mm         | 30V 2A DC Jack SMT  |
| .X ±0.25          | SCALE      | 1:1        |   |
| .XX ±0.10         | Draw by:   | Jenny      |   |
| ANGLE TOLERANCE   | Check by:  |            | KLS P/N: L-KLS1-MDC-001   |
| X. ±5°            | Date       | 2019-03-01 |  NingBo KLS ELECTRONIC CO.,L TD. |
| .X ±3°            | SHEET      | 1 OF 1     |   |
| .XX ±2°           |            |            |   |