

1 2 3 4 5 6 7 8

A

B

C

D

E

F

G

H

A

B

C

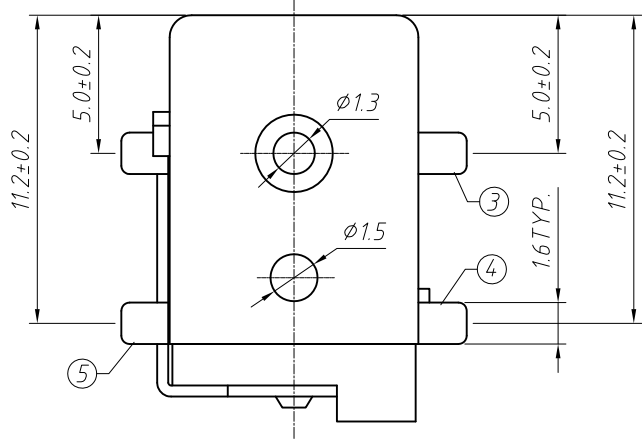
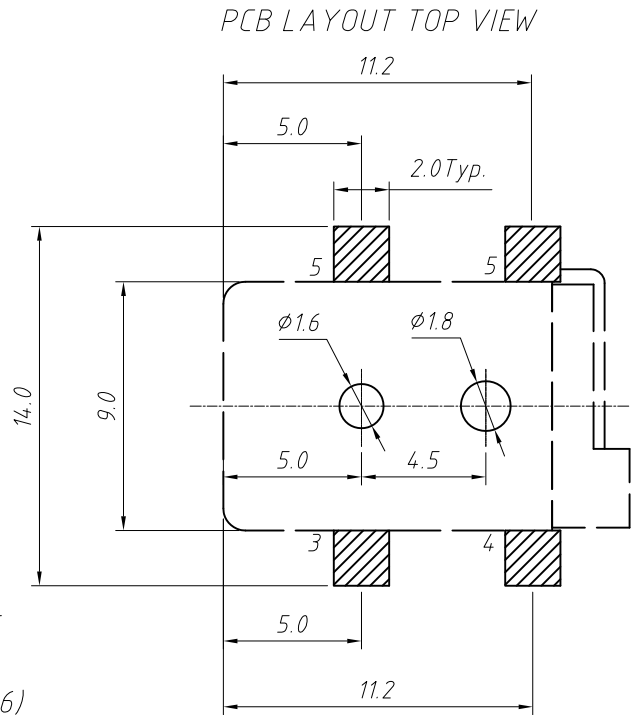
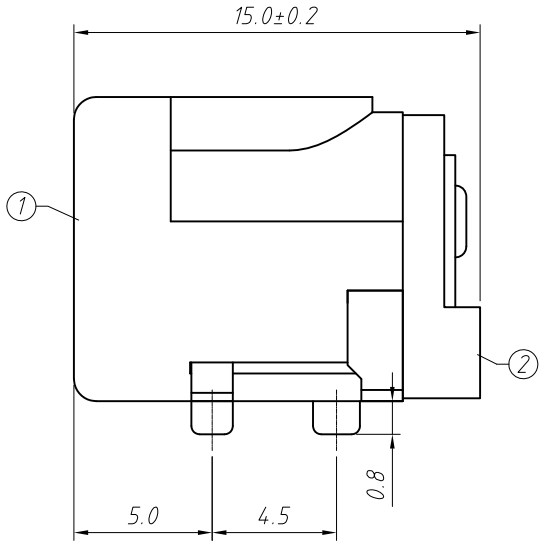
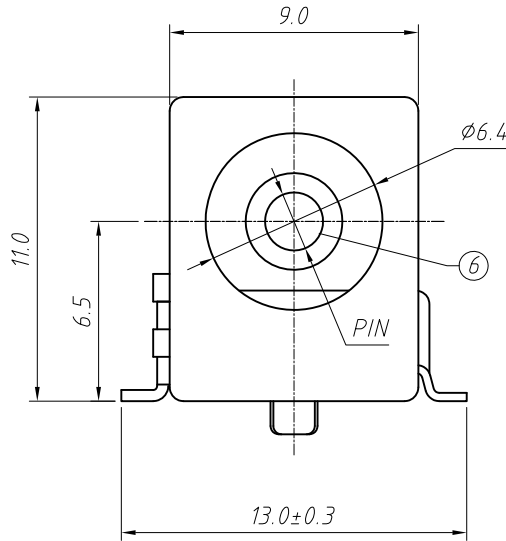
D

E

F

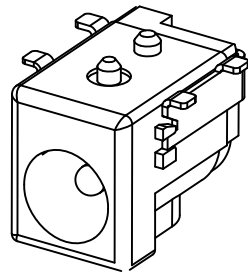
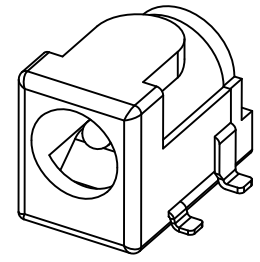
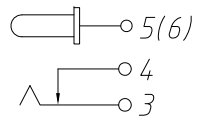
G

H



PIN	φ2.0	φ2.5
APPD		

SCHMATIC



SPECIFICATION

Rated Load:DC 24V 5A
 Contact resistance:30mΩ, max
 Insulation resistance:100MΩ, min
 Withstand Voltage:AC500V
 Actuating Force:3-20N
 Life:5000 cycles
 Operating Temperature:-30°C-70°C

NO.	Description	QTY	Material	Plating
1	Housing	1	PA9T	---
2	Cover	1	PA9T	---
3	Spring Piece	1	Bronze	Ag-Plating
4	Curve Piece	1	Brass	Ag-Plating
5	Flat Foot	1	Brass	Ag-Plating
6	PIN	1	Brass	Ni-Plating

GENERAL TOLERANCE	PROJECTION		Description:
.X ±0.50	UNITS	mm	24V 5A DC Jack SMT
.X ±0.25	SCALE	1:1	
.XX ±0.10	Draw by:	Jenny	
ANGLE TOLERANCE	Check by:		KLS P/N: L-KLS1-MDC-001A
.X ±5°	Date	2019-03-01	NingBo KLS ELECTRONIC CO.,L TD.
.X ±3°	SHEET	1 OF 1	
.XX ±2°			

1 2 3 4 5 6 7 8