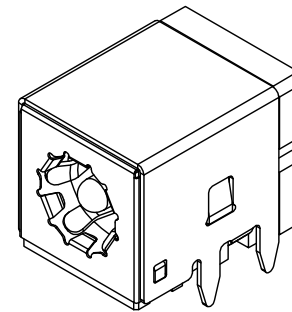
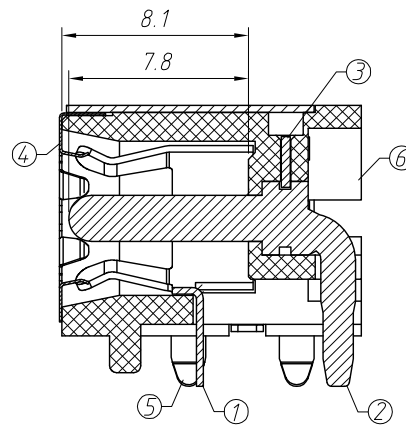
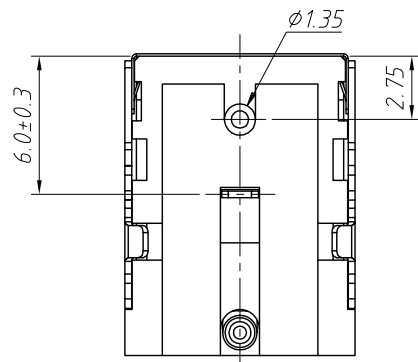
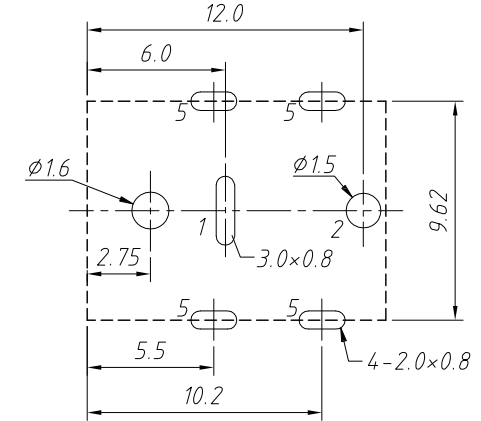


T:1.6 Dimensions of PC board holes
Tolerance:±0.05(Printed-top view)



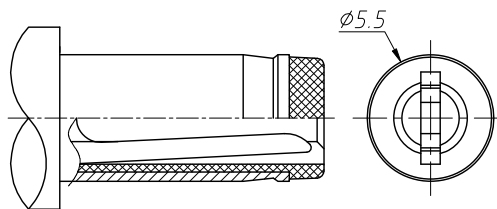
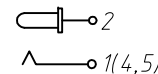
SPECIFICATION

Rated Load:DC 24V 10A
Contact resistance:30mΩ, max
Insulation resistance:100MΩ, min
Withstand Voltage:AC500V
Actuating Force:5-30N
Life:5000 cycles
Operating Temperature:-30°C-70°C

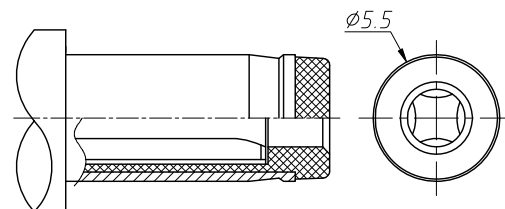
PIN	φ2.0	φ2.5
APPD		

NO.	Description	QTY	Material	Plating
6	Housing	1	PA9T	---
5	Shell	1	Bronze	Ni-Plating
4	Coat	1	SUS301	N/A
3	PEG	1	Brass	N/A
2	PIN	1	Zinc Alloy	Ni-Plating
1	Spring Piece	1	Bronze	Ag-Plating


SCHEMATIC



Recommended Plug
Rating:DC 24V 7A



Recommended Plug
Rating:DC 24V 10A

GENERAL TOLERANCE	PROJECTION	Symbol	Description:
X. ±0.50	UNITS	mm	24 V 10A DC Jack DIP
.X ±0.25	SCALE	1:1	
.XX ±0.10	Draw by:	Jenny	
ANGLE TOLERANCE	Check by:		KLS P/N: L-KLS1-MDC-043
X. ±5°	Date	2019-03-01	 NingBo KLS ELECTRONIC CO.,L TD.
.X ±3°	SHEET	1 OF 1	
.XX ±2°			