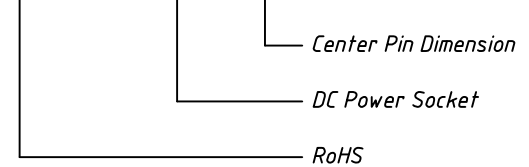


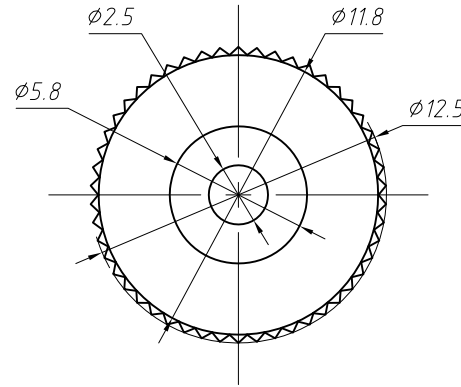
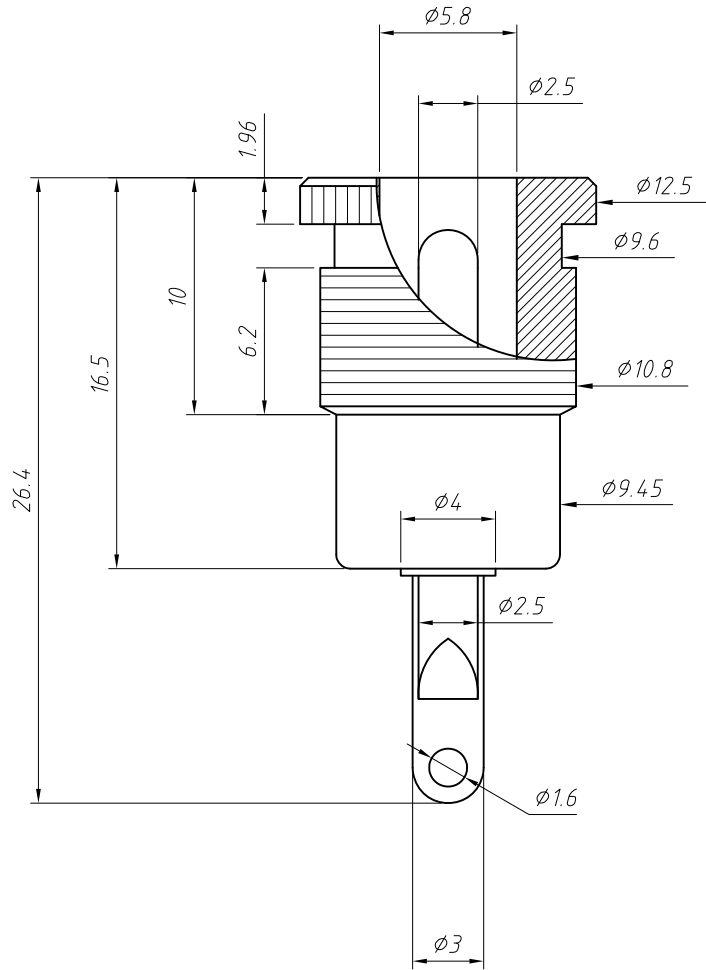
Technical parameters:
 Contact resistance: 30mΩ, max
 Insulation resistance: 100MΩ, min
 Pressure: AC500V (50Hz) / 1minute
 Rated Load: DC 30V 1A
 Actuating Force: 3~20N
 Life: 5000 times
 Operating Temperature: -30oC ~ 70oC

Order Information

L-KLS1-DC-026-2.5



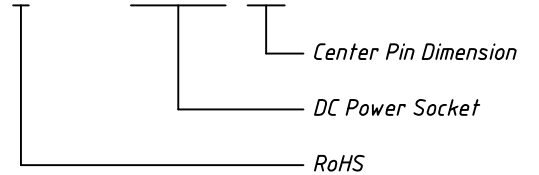
GENERAL TOLERANCE	PROJECTION		Description:
.X ±0.50	UNITS	mm	DC power connectors
.X ±0.25	SCALE	1:1	
.XX ±0.10	Draw by:	Jenny	
ANGLE TOLERANCE	Check by:		KLS P/N: L-KLS1-DC-026-2.5
.X ±5°	Date	2018-03-01	NingBo KLS ELECTRONIC CO.,L TD.
.X ±3°	SHEET	1 OF 1	
.XX ±2°			



Technical parameters:
 Contact resistance: 30mΩ, max
 Insulation resistance: 100MΩ, min
 Pressure: AC500V (50Hz) / 1minute
 Rated Load: DC 30V 1A
 Actuating Force: 3~20N
 Life: 5000 times
 Operating Temperature: -30oC ~ 70oC

Order Information

L-KLS1-DC-026-2.5



GENERAL TOLERANCE	PROJECTION		Description:
X. ±0.50	UNITS	mm	DC power connectors
.X ±0.25	SCALE	1:1	
.XX ±0.10	Draw by:	Jenny	
ANGLE TOLERANCE	Check by:		KLS P/N: L-KLS1-DC-026-2.5
X. ±5°	Date	2018-03-01	NingBo KLS ELECTRONIC CO.,L TD.
.X ±3°	SHEET	1 OF 1	
.XX ±2°			