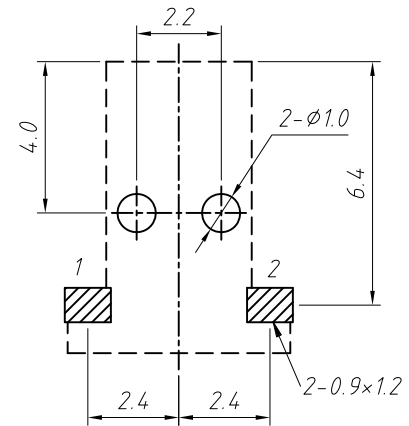
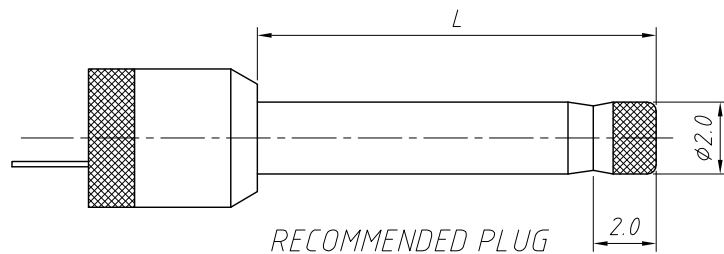
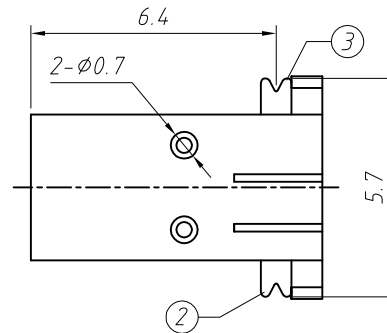
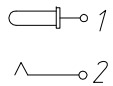


PCB LAYOUT TOP VIEW



SCHEMATIC



**SPECIFICATION**

Rated Load:DC 30V 0.5A  
 Contact resistance:30mΩ, max  
 Insulation resistance:100MΩ, min  
 Withstand Voltage:AC500V  
 Actuating Force:3-20N  
 Life:5000 cycles  
 Operating Temperature:-30°C-70°C

NO.	Description	QTY	Material	Plating
1	Spring	1	SUS301	---
2	Spring	1	Bronze	Au-Plating
3	Contact Foot	1	Bronze	Au-Plating
4	PIN	1	Bronze	Au-Plating
5	Housing	1	PA9T	

GENERAL TOLERANCE	PROJECTION		Description:
.X ±0.50	UNITS	mm	DC POWER Jack SMT HORIZONTAL
.X ±0.25	SCALE	1:1	
.XX ±0.10	Draw by:	Jenny	KLS P/N: L-KLS1-TDC-028
ANGLE TOLERANCE	Check by:		NingBo KLS ELECTRONIC CO.,L TD.
.X ±5°	Date	2019-03-01	
.X ±3°	SHEET	1 OF 1	