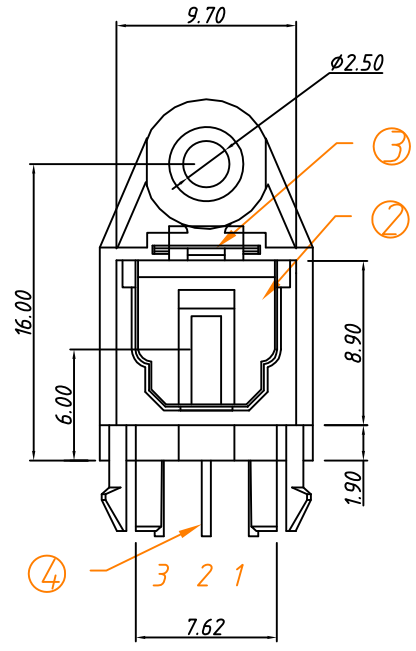
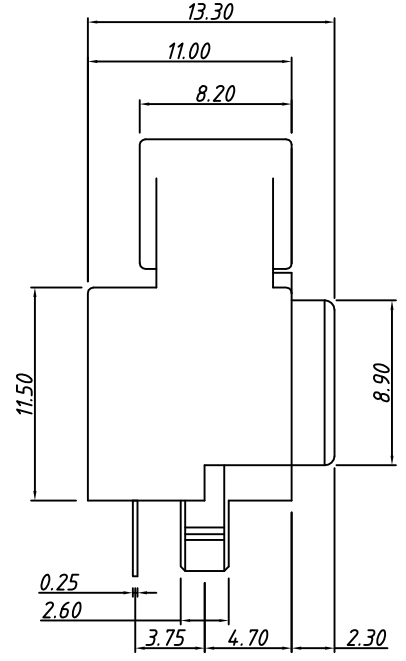
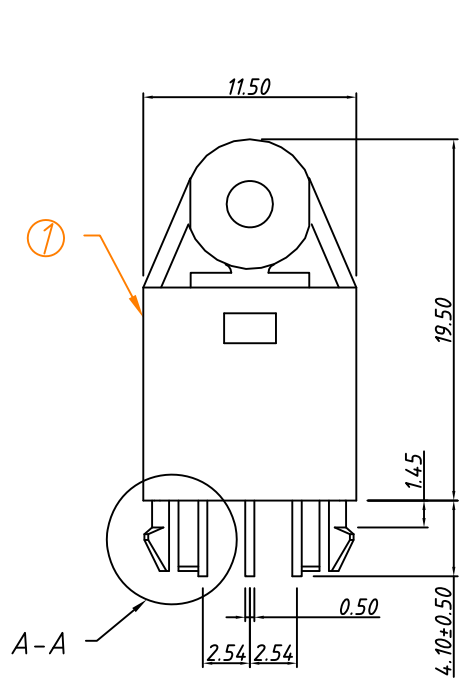
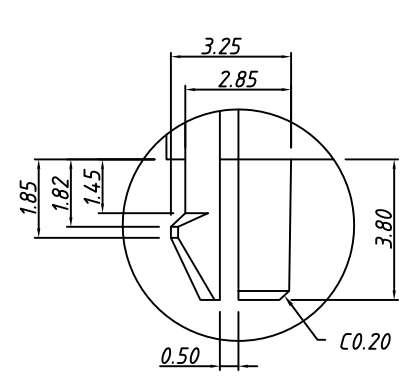


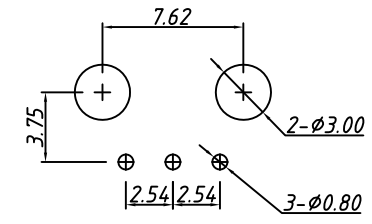
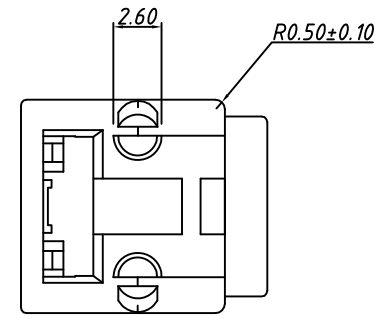
RoHS Compliance



Pin Function
 1- GND
 2- Vcc
 3- Vin



A-A 2:1



P.C.B LAYOUT
 TOLERANCE:±0.30

Order information:
 L-KLS1-SJ T -008-XXX
 L: RoHS
 T: Transmitter
 XXX: Frequency
 96K- 96KHz
 192K- 192KHz

| 4 | IR | | 1 | Transmitter |
|------|-----------|----------|------|-------------|
| 3 | Spring | SUS 304 | 1 | |
| 2 | Shutter | PBT | 1 | |
| 1 | Body | PBT | 1 | |
| ITEM | PART NAME | Material | Q'TY | REMARK |

| | | |
|------------|------------|---------------------------------|
| PROJECTION | | Description: |
| UNITS | mm | Transmitters FIBER OPTIC Jacks |
| SCALE | 1:1 | |
| Draw: | Daniel | KLS P/N: L-KLS1-SJT-008-XXX |
| Check : | Daniel | NingBo KLS ELECTRONIC CO.,L TD. |
| Date | 2020-03-02 | |
| TOLERANCE | ±0.20 | |