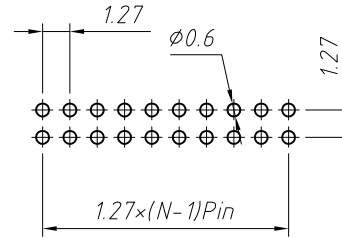
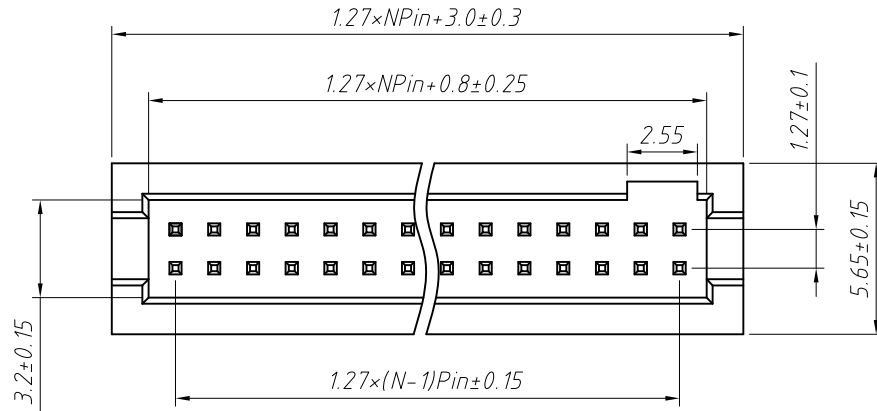


1 RoHS Compliance

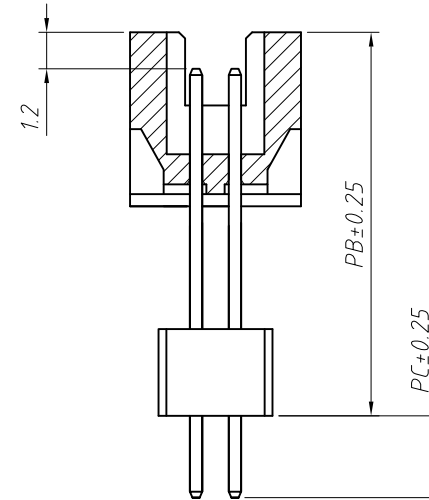
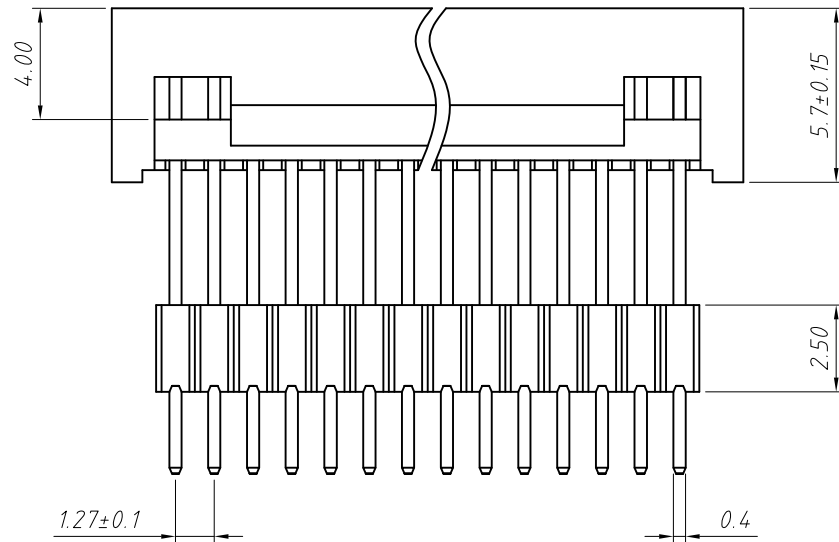


Recommended P.C.B Layout (Top Side)  
(PCB BOARD TOLERANCE ±0.05)

**Material:**  
Housing: PA6T or LCP, UL 94V-0  
Contact: Brass  
Plating: Gold plated

**Electrical Characteristics:**  
Rated Current: 1.0AMP  
Contact Resistance: 20mΩ Max  
Withstand Voltage: 500V AC/DC  
Insulator Resistance: 1000MΩ Min

**Mechanical**  
Operating Temperature: -40°C ~ +105°C  
Max. Processing Temp: 230°C for 30-60 seconds (260°C for 10 seconds)



**Order Information:**

L-KLS1-202CC-XX-S-B-PB×PC-□

L: RoHS  
Box Header Series  
202CC: 1.27mm Pitch  
XX-No. of 04 ~ 100 pins  
Type: S-Straight pin  
T-SMT  
Color: B-Black G-Gray  
Size: PB×PC  
Material: NONE=PA6T  
C=LCP D=PA9T

**Dimension antitheses list**

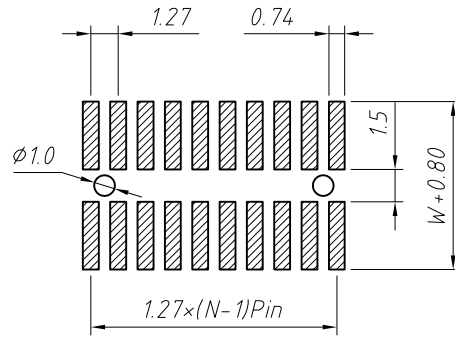
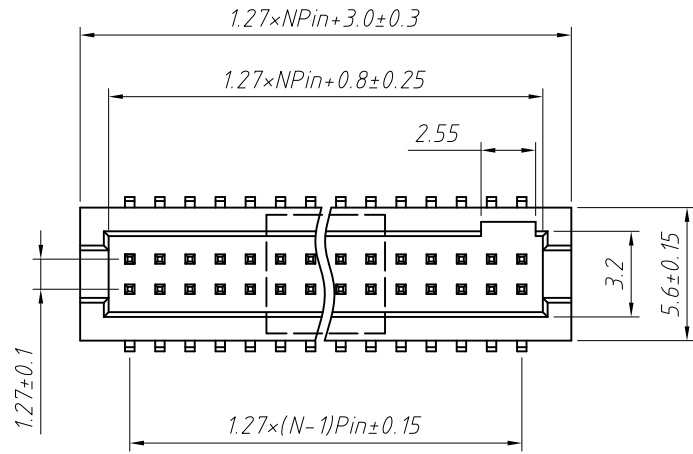
ITEM	PC	PB
Standard	2.5	---
Alternate	---	---

ANGLE TOLERANCE	PROJECTION	Description:
±3°		1.27x1.27mm Pitch Box Header Connector
GENERAL TOLERANCE	UNITS	mm
x.x ±0.30	SHEET SIZE	A4
x.xx ±0.20	Draw:	Daniel 2018-07-10
x.xxx ±0.10	Check:	Daniel 2018-07-10



NingBo KLS ELECTRONIC CO.,LTD.

1 RoHS Compliance

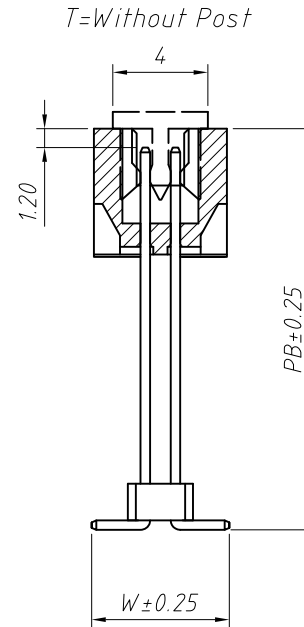
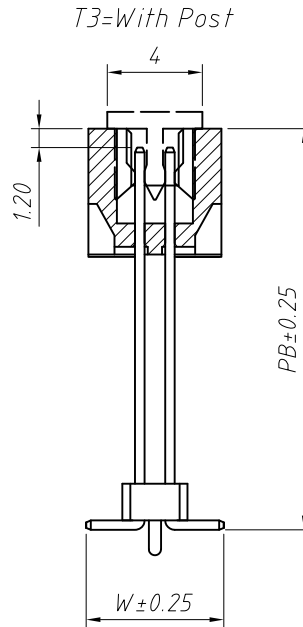
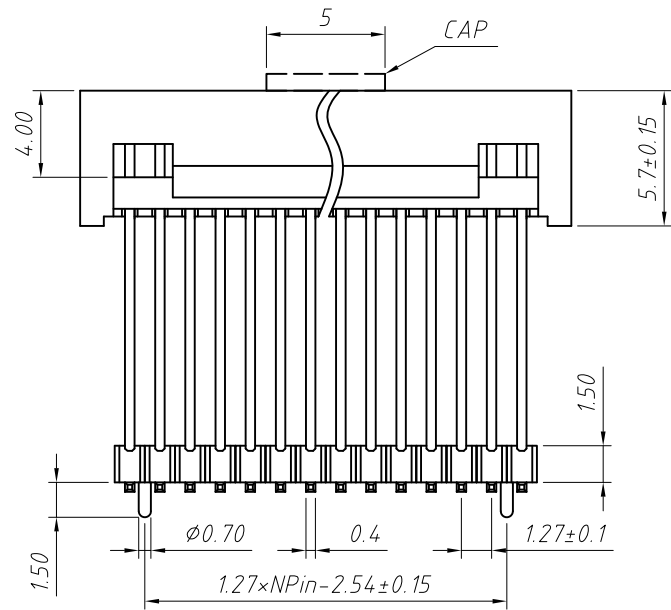


Recommended P.C.B Layout (Top Side)  
(PCB BOARD TOLERANCE ±0.05)

Material:  
Housing: PA6T or LCP, UL94V-0  
Contact: Brass  
Plating: Gold plated

Electrical Characteristics:  
Rated Current: 1.0AMP  
Contact Resistance: 20mΩ Max  
Withstand Voltage: 500V AC/DC  
Insulator Resistance: 1000MΩ Min

Mechanical  
Operating Temperature: -40°C ~ +105°C  
Max. Processing Temp: 230°C for 30-60 seconds (260°C for 10 seconds)



Order Information:

L-KLS1-202CC-XX-T-B-PBxW-□-T

L: RoHS  
Box Header Series  
202CC: 1.27mm Pitch  
XX-No. of 04 ~ 100 pins  
SMT: T=Without Post  
T3=With Post  
Color: B-Black G-Gray  
Size: PBxW  
Material: NONE=PA6T  
C=LCP D=PA9T  
Packing:  
T=Tube P=Tube+Cap R=Reel+Cap

Dimension antitheses list

ITEM	W	PB
Standard	5.5	---
Alternate	---	---

ANGLE TOLERANCE	PROJECTION	Description:
±3°		1.27x1.27mm Pitch Box Header Connector
GENERAL TOLERANCE	UNITS	mm
x.x ±0.30	SHEET SIZE	A4
x.xx ±0.20	Draw:	Daniel 2018-07-10
x.xxx ±0.10	Check:	Daniel 2018-07-10



NingBo KLS ELECTRONIC CO.,LTD.