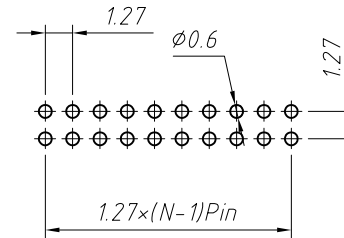
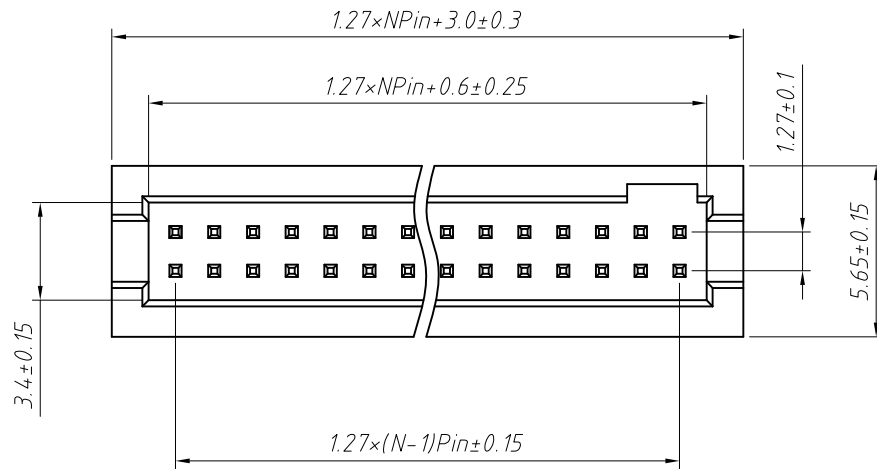


RoHS Compliance

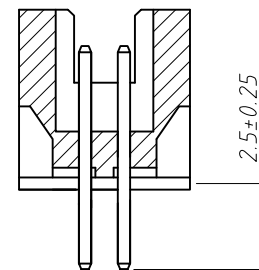
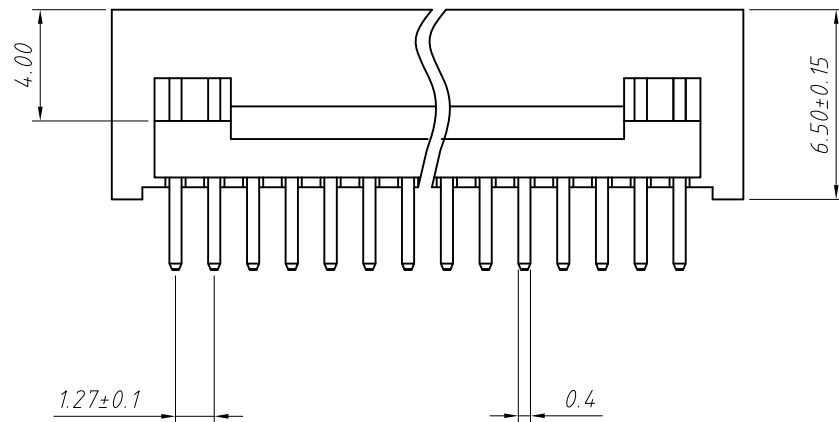


Recommended P.C.B Layout (Top Side)
(PCB BOARD TOLERANCE±0.05)

Material:
Housing: PA6T or LCP, UL 94 V-0
Contact: Brass
Plating: Gold plated

Electrical Characteristics:
Rated Current: 1.0AMP
Contact Resistance: 20mΩ Max
Withstand Voltage: 500V AC/DC
Insulator Resistance: 1000MΩ Min

Mechanical
Operating Temperature: -40°C ~ +105°C
Max. Processing Temp: 230°C for 30-60 seconds (260°C for 10 seconds)



Order Information:

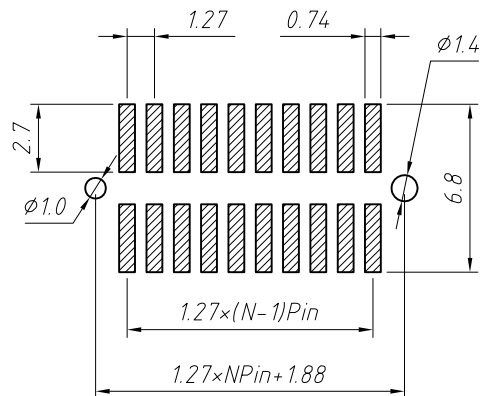
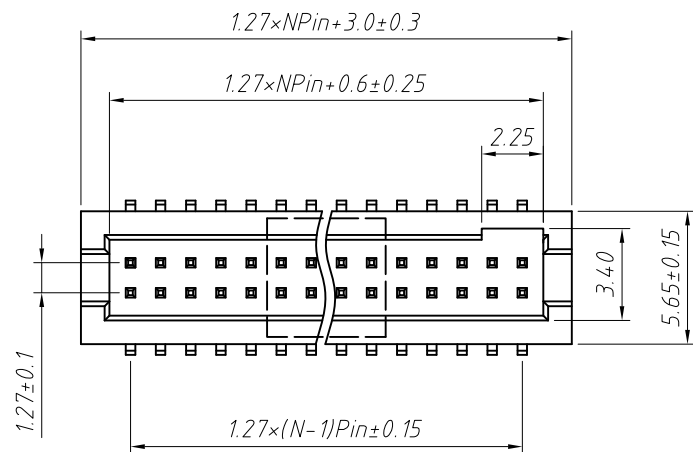
L-KLS1-202CD-XX-S-B-□

L: RoHS
Box Header Series
202CD: 1.27mm Pitch
XX-No. of 10 ~ 100 pins
Type: S-Straight pin
R-Right Angle Pin T-SMT
Color: B-Black G-Gray
Material: NONE=PA6T
C=LCP D=PA9T

ANGLE TOLERANCE		PROJECTION		Description:	
±3°				1.27x1.27mm Pitch Box Header Connector	
GENERAL TOLERANCE		UNITS	mm	KLS P/N:	
x.x	±0.30	SHEET SIZE	A4	L-KLS1-202CD-XX-S-B-□	
x.xx	±0.20	Draw:	Daniel	2018-07-10	
x.xxx	±0.10	Check:	Daniel	2018-07-10	

NingBo KLS ELECTRONIC CO.,LTD.

1 RoHS Compliance

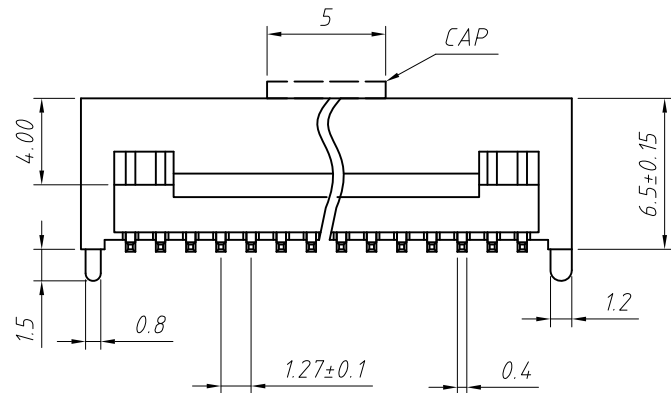


Recommended P.C.B Layout (Top Side)
(PCB BOARD TOLERANCE ±0.05)

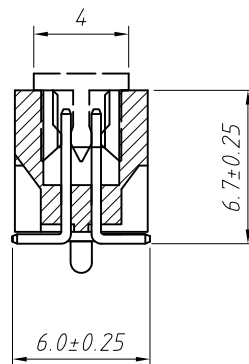
Material:
Housing: PA6T or LCP, UL94V-0
Contact: Brass
Plating: Gold plated

Electrical Characteristics:
Rated Current: 1.0AMP
Contact Resistance: 20mΩ Max
Withstand Voltage: 500V AC/DC
Insulator Resistance: 1000MΩ Min

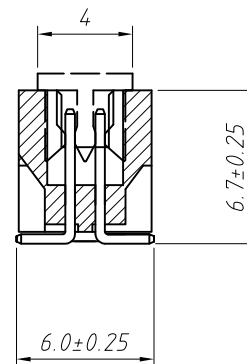
Mechanical
Operating Temperature: -40°C ~ +105°C
Max. Processing Temp: 230°C for 30-60 seconds (260°C for 10 seconds)



T3=With Post



T=Without Post



Order Information:

L-KLS1-202CD-XX-T-B-□-T

L: RoHS
Box Header Series
202CD: 1.27mm Pitch
XX-No. of 10 ~ 100 pins
SMT: T=Without Post
T3=With Post
Color: B=Black G=Gray
Material: NONE=PA6T
C=LCP D=PA9T
Packing:
T=Tube P=Tube+Cap R=Reel+Cap

ANGLE TOLERANCE	PROJECTION	Description:
±3°		1.27x1.27mm Pitch Box Header Connector
GENERAL TOLERANCE	UNITS	mm
x.x ±0.30	SHEET SIZE	A4
x.xx ±0.20	Draw:	Daniel 2018-07-10
x.xxx ±0.10	Check:	Daniel 2018-07-10



NingBo KLS ELECTRONIC CO.,LTD.