

1 RoHS Compliance

Recommended P.C.B Layout (Top Side)
(PCB BOARD TOLERANCE ±0.05)

Material:
Housing: PA6T, UL94V-0
Contact: Brass
Plating: Au or Sn over Ni

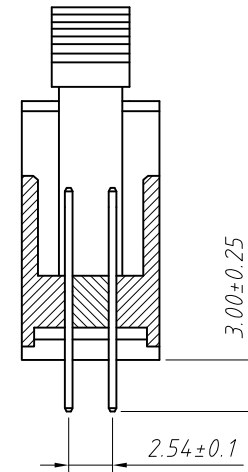
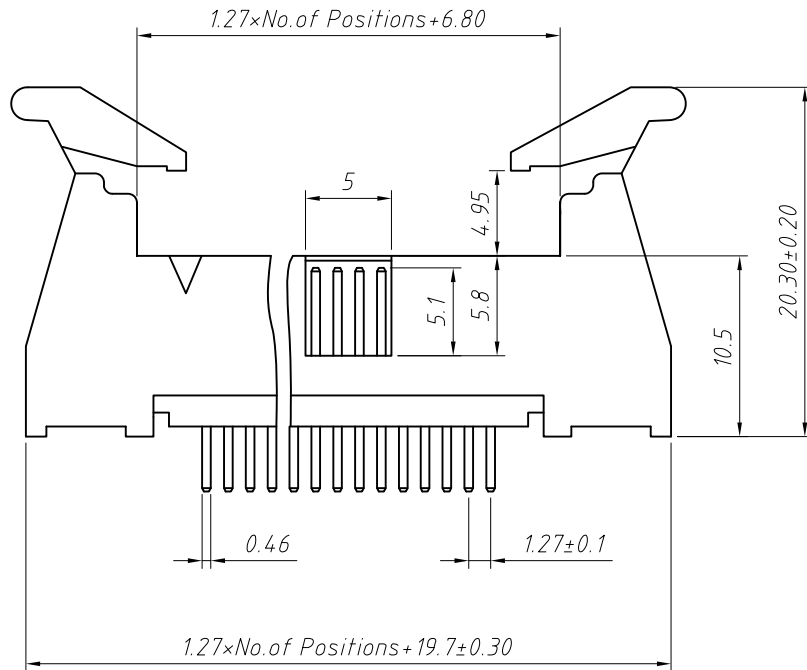
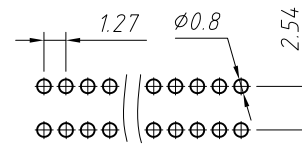
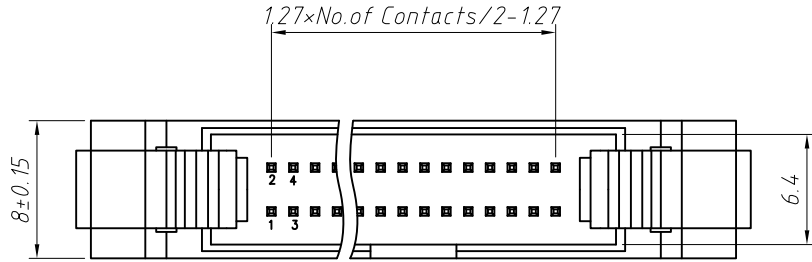
Electrical Characteristics:
Rated Current: 1.0AMP
Contact Resistance: 20mΩ Max
Withstand Voltage: 500V AC/DC
Insulator Resistance: 1000MΩ Min

Mechanical
Operating Temperature: -40°C ~ +105°C
Max. Processing Temp: 230°C for 30-60 seconds (260°C for 10 seconds)

Order Information:

L-KLS1-201D-XX-S-B-□

L: RoHS
Box Header Series
201D: 1.27mm Pitch
XX-No. of 10 ~ 100 pins
Type: S-Straight pin
R-Right Angle Pin
Color: B-Black G-Gray
Material: NONE=PA6T C=LCP

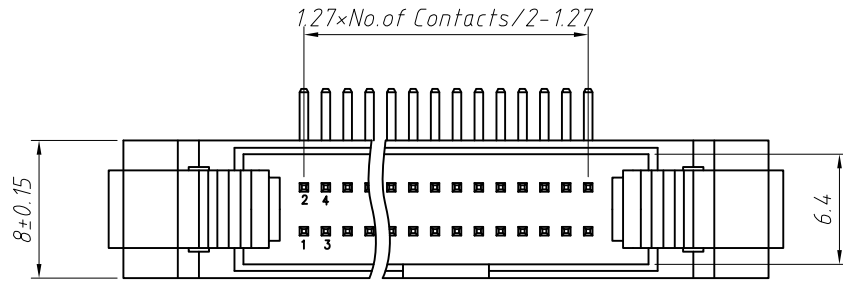


ANGLE TOLERANCE	PROJECTION	Description:
±3°		1.27x2.54mm Pitch Box Header Connector
GENERAL TOLERANCE	UNITS	mm
x.x ±0.30	SHEET SIZE	A4
x.xx ±0.20	Draw:	Daniel 2018-07-10
x.xxx ±0.10	Check:	Daniel 2018-07-10

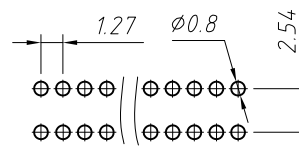


NingBo KLS ELECTRONIC CO.,LTD.

1 RoHS Compliance



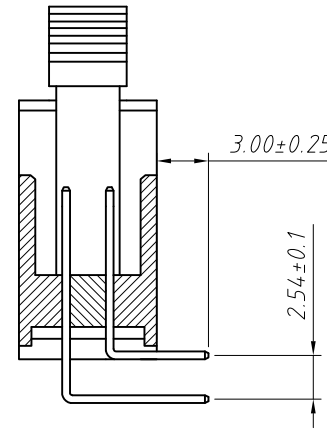
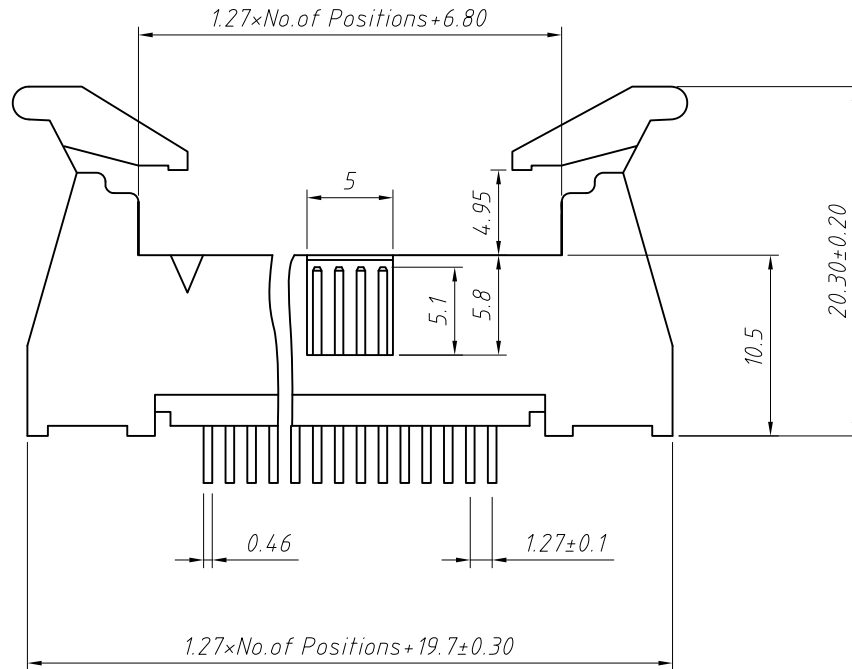
Recommended P.C.B Layout (Top Side)
(PCB BOARD TOLERANCE ±0.05)



Material:
Housing: PA6T, UL94V-0
Contact: Brass
Plating: Au or Sn over Ni

Electrical Characteristics:
Rated Current: 1.0AMP
Contact Resistance: 20mΩ Max
Withstand Voltage: 500V AC/DC
Insulator Resistance: 1000MΩ Min

Mechanical
Operating Temperature: -40°C ~ +105°C
Max. Processing Temp: 230°C for 30-60 seconds (260°C for 10 seconds)



Order Information:

L-KLS1-201D-XX-R-B-□

L: RoHS
Box Header Series
201D: 1.27mm Pitch
XX-No. of 10 ~ 100 pins
Type: S-Straight pin
R-Right Angle Pin
Color: B-Black G-Gray
Material: NONE=PA6T C=LCP

ANGLE TOLERANCE	PROJECTION	Description:
±3°		1.27x2.54mm Pitch Box Header Connector
GENERAL TOLERANCE	UNITS	mm
x.x ±0.30	SHEET SIZE	A4
x.xx ±0.20	Draw:	Daniel 2018-07-10
x.xxx ±0.10	Check:	Daniel 2018-07-10



NingBo KLS ELECTRONIC CO.,LTD.