

CRYSTAL UNIT

KLS14-MC7015

Application

- Clock and Microcomputer

Features

- Dimensions (7.0x1.5x1.4mm)
- Excellent Reliability Performance.



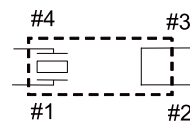
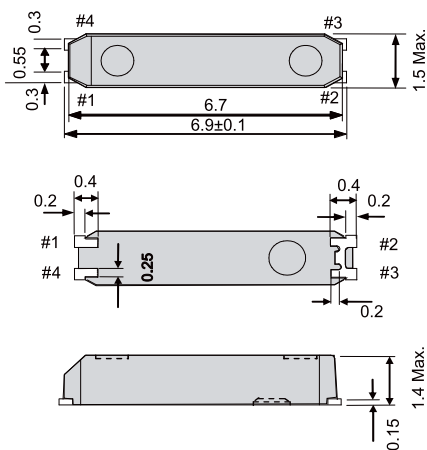
Specifications



Model	KLS14-MC7015
Nominal frequency range	32.768KHz
Level of drive	1.0μW max.
Storage temperature range	-55°C~+125°C
Operating temperature range	-40°C~+85°C
Turnover temperature	-25 ± 5°C
Parabolic coefficient	-0.04×10 ⁻⁶ /°C ² Max.
Frequency tolerance (at +25°C)	± 20×10 ⁻⁶ , or specify
Equivalent series resistance	65KΩ max.
Load capacitance	12.5pF, or specify
Shunt capacitance	0.8pF max.

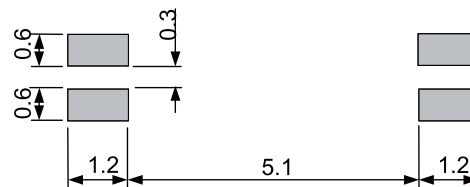
Package quantity: 9,000pcs /Reel

Outline and Dimensions [unit:mm]



Do not connect #2 and #3 to external device.
Metal may be exposed on the top or bottom of this product. This will not affect any quality, reliability or electrical spec.

Connection



Suggested Layout

ORDER INFORMATION

L-KLS14-MC7015-XXXX-XX-XX-X

Operating Temperature:	C: -40°C~+85°C
Frequency Tolerance:	20=20ppm
Load Capacitance:	12.5=12.5pF
Frequency:	32.768=32.768KHz
RoHS	