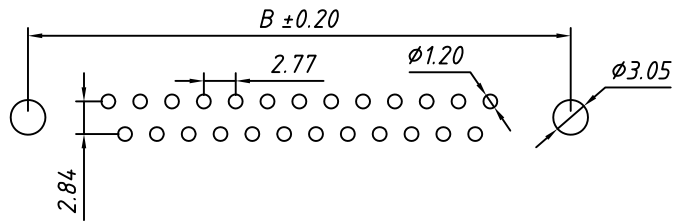
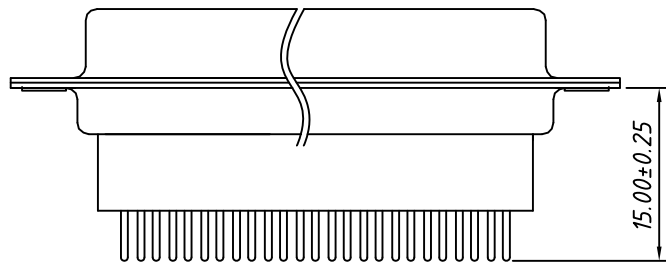
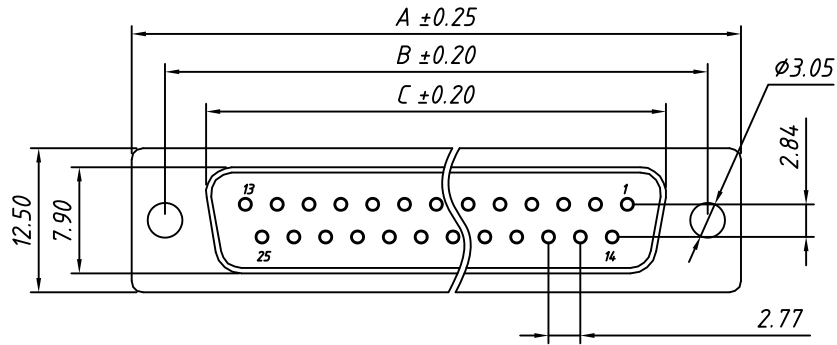


1 RoHS Compliant

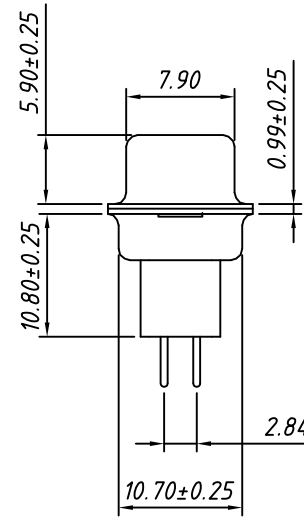


RECOMMENDED PCB LAYOUT
TOLERANCE: ±0.05mm

Number of Contacts	DIMENSION		
	A±0.25	B±0.20	C±0.20
09	30.81	24.99	16.33
15	39.14	33.32	24.66
25	53.04	47.04	38.38
37	69.32	63.50	54.84

Material:
Housing: PBT+30% Glass filled ,UL94V-0
Contacts: Brass ,Gold Plating or
Gold Plating on Contact Arer,
Tin on Solder Tail.
Shell: Steel, Nickel Plating

Electrical Characteristics:
Current Rating: 5 AMP
Insulator Resistance: 1000MΩ Min. at DC 500V
Withstanding Voltage: 500V AC (rms) for 1 minute
Contact Resistance: 20mΩ Max. Initial
Operating Temperature: -40°C ~ +105°C

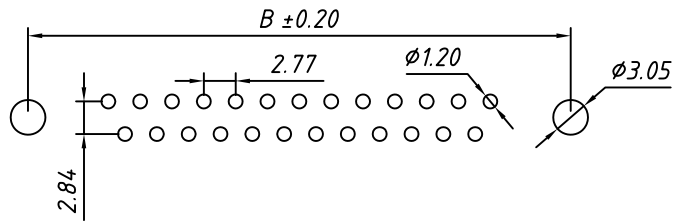
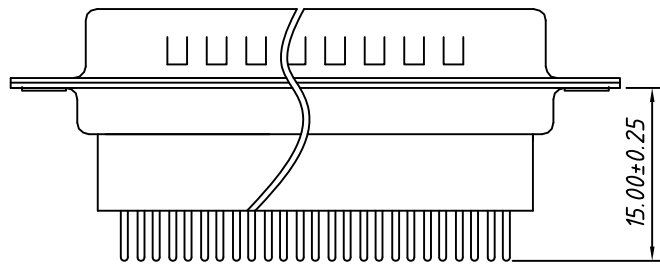
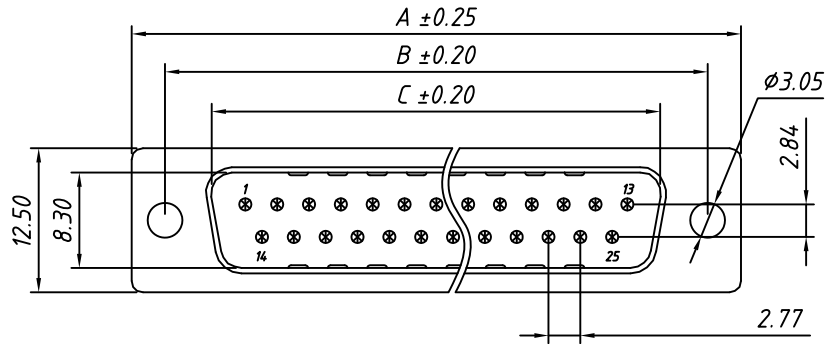


Order Information

L - KLS1 - 171 - XX - F - B
RoHS
D-SUB Connector,
2 Row Through Hole
XX-No. of 09,15,25,37pins
Connector type: F-Female
Housing Color:
B-Black L-Blue W-White

GENERAL TOLERANCE	PROJECTION		Description:
X. ±0.30	UNITS	mm	D-SUB Connector,High Profile,Through Hole, Female
.X ±0.25	SCALE	1:1	
.XX ±0.20	Draw by:	Daniel	KLS P/N: L-KLS1-171-XX-F-B
ANGLE TOLERANCE	Check by:	Daniel	NingBo KLS ELECTRONIC CO.,L TD.
X. ±3°	Date	2018-03-01	
.X ±2° .XX ±1°	SHEET	1 OF 1	

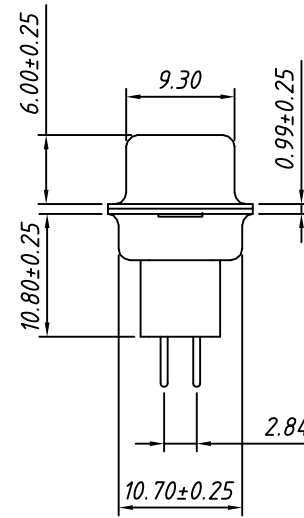
1 RoHS Compliant



RECOMMENDED PCB LAYOUT
TOLERANCE: ±0.05mm

Material:
Housing: PBT+30% Glass filled ,UL94V-0
Contacts: Brass ,Gold Plating or
Gold Plating on Contact Arer,
Tin on Solder Tail.
Shell: Steel, Nickel Plating

Electrical Characteristics:
Current Rating: 5 AMP
Insulator Resistance: 1000MΩ Min. at DC 500V
Withstanding Voltage: 500V AC (rms) for 1 minute
Contact Resistance: 20mΩ Max. Initial
Operating Temperature: -40°C ~ +105°C



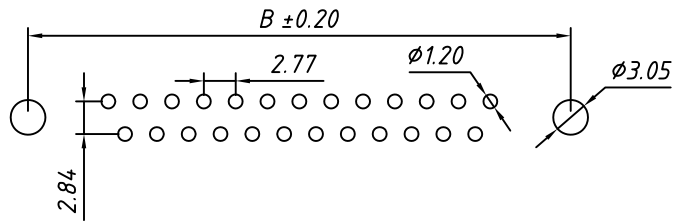
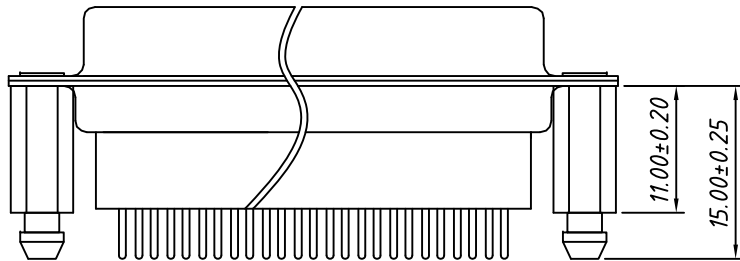
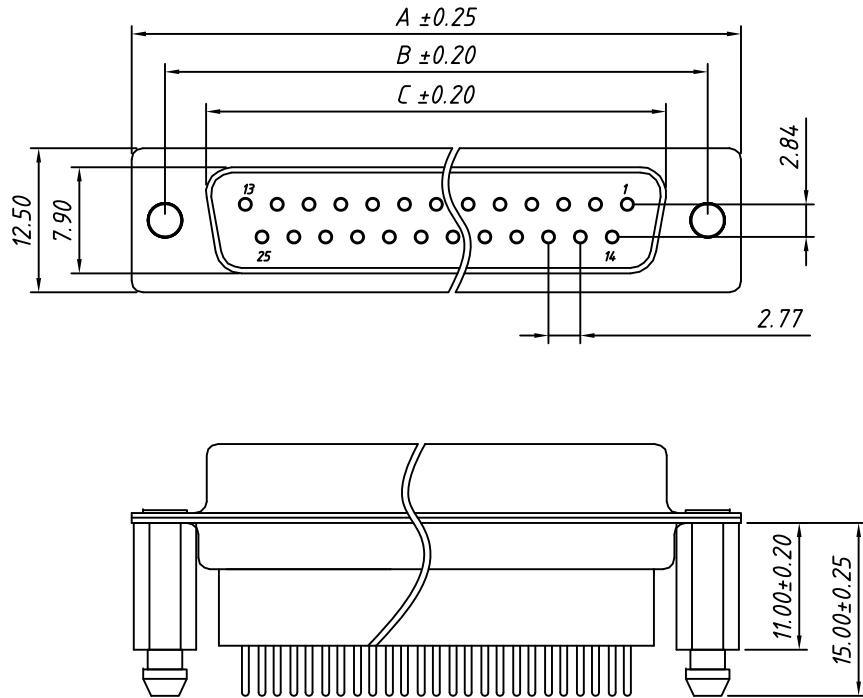
Order Information

L - KLS1 - 171 - XX - M - B
RoHS
D-SUB Connector,
2 Row Through Hole
XX-No. of 09,15,25,37pins
Connector type: M-Male
Housing Color:
B-Black L-Blue W-White

Number of Contacts	DIMENSION		
	A±0.25	B±0.20	C±0.20
09	30.81	24.99	16.92
15	39.14	33.32	25.25
25	53.04	47.04	38.96
37	69.32	63.50	55.42

GENERAL TOLERANCE	PROJECTION		Description:
X. ±0.30	UNITS	mm	D-SUB Connector,High Profilent,Through Hole, Male
.X ±0.25	SCALE	1:1	
.XX ±0.20	Draw by:	Daniel	KLS P/N: L-KLS1-171-XX-M-B
ANGLE TOLERANCE	Check by:	Daniel	NingBo KLS ELECTRONIC CO.,L TD.
X. ±3°	Date	2018-03-01	
.X ±2° .XX ±1°	SHEET	1 OF 1	

1 RoHS Compliant

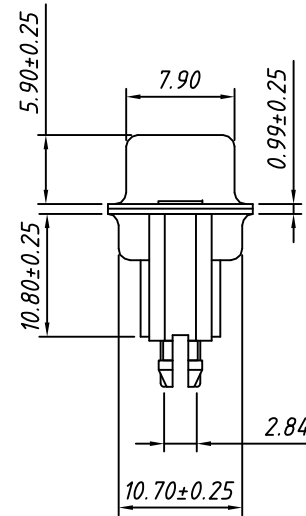


RECOMMENDED PCB LAYOUT
TOLERANCE: ±0.05mm

Number of Contacts	DIMENSION		
	A±0.25	B±0.20	C±0.20
09	30.81	24.99	16.33
15	39.14	33.32	24.66
25	53.04	47.04	38.38
37	69.32	63.50	54.84

Material:
Housing: PBT+30% Glass filled ,UL94V-0
Contacts: Brass ,Gold Plating or
Gold Plating on Contact Area,
Tin on Solder Tail.
Shell: Steel, Nickel Plating

Electrical Characteristics:
Current Rating: 5 AMP
Insulator Resistance: 1000MΩ Min. at DC 500V
Withstanding Voltage: 500V AC (rms) for 1 minute
Contact Resistance: 20mΩ Max. Initial
Operating Temperature: -40°C ~ +105°C

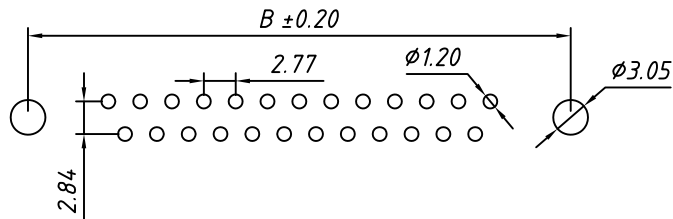
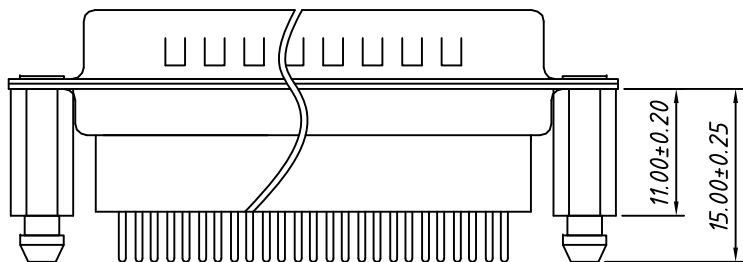
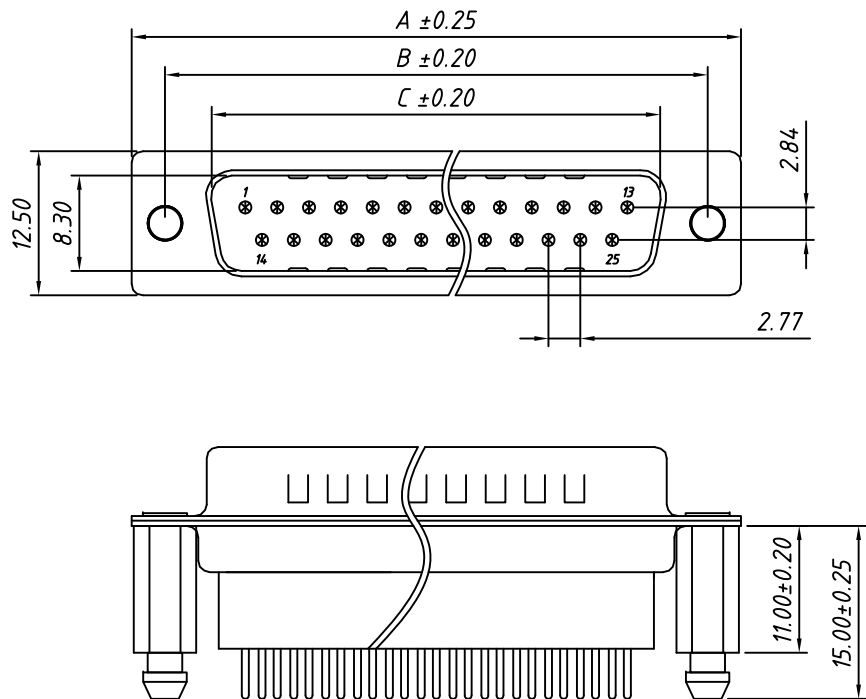


Order Information

L - KLS1 - 171B - XX - F - B
 RoHS _____
 D-SUB Connector, _____
 2 Row Through Hole,Riveting Later Harpoons _____
 XX-No.of 09,15,25,37pins _____
 Connector type: F-Female _____
 Housing Color: _____
 B-Black L-Blue W-White

GENERAL TOLERANCE	PROJECTION		Description:
X. ±0.30	UNITS	mm	D-SUB Connector,High Profile, Through Hole,Female,Riveting Later Harpoons
.X ±0.25	SCALE	1:1	
.XX ±0.20	Draw by:	Daniel	KLS P/N: L-KLS1-171B-XX-F-B
ANGLE TOLERANCE	Check by:	Daniel	NingBo KLS ELECTRONIC CO.,L TD.
X. ±3°	Date	2018-03-01	
.X ±2°	SHEET	1 OF 1	
.XX ±1°			

1 RoHS Compliant

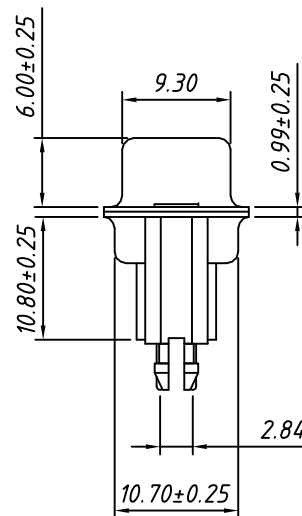


RECOMMENDED PCB LAYOUT
 TOLERANCE: ±0.05mm

Number of Contacts	DIMENSION		
	A±0.25	B±0.20	C±0.20
09	30.81	24.99	16.92
15	39.14	33.32	25.25
25	53.04	47.04	38.96
37	69.32	63.50	55.42

Material:
 Housing: PBT+30% Glass filled ,UL94V-0
 Contacts: Brass ,Gold Plating or
 Gold Plating on Contact Arer,
 Tin on Solder Tail.
 Shell: Steel, Nickel Plating

Electrical Characteristics:
 Current Rating: 5 AMP
 Insulator Resistance: 1000MΩ Min. at DC 500V
 Withstanding Voltage: 500V AC (rms) for 1 minute
 Contact Resistance: 20mΩ Max. Initial
 Operating Temperature: -40°C ~ +105°C

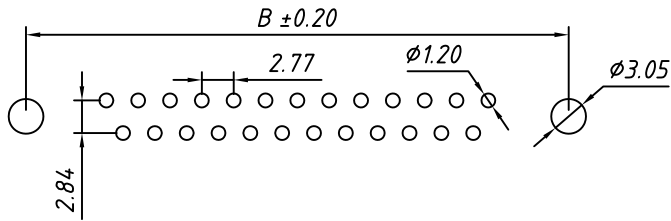
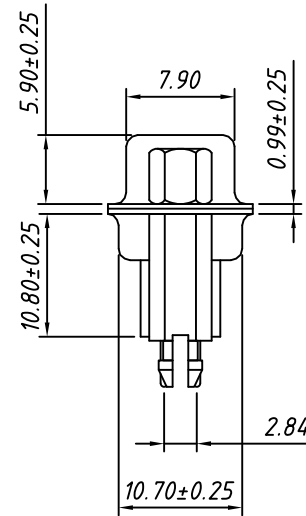
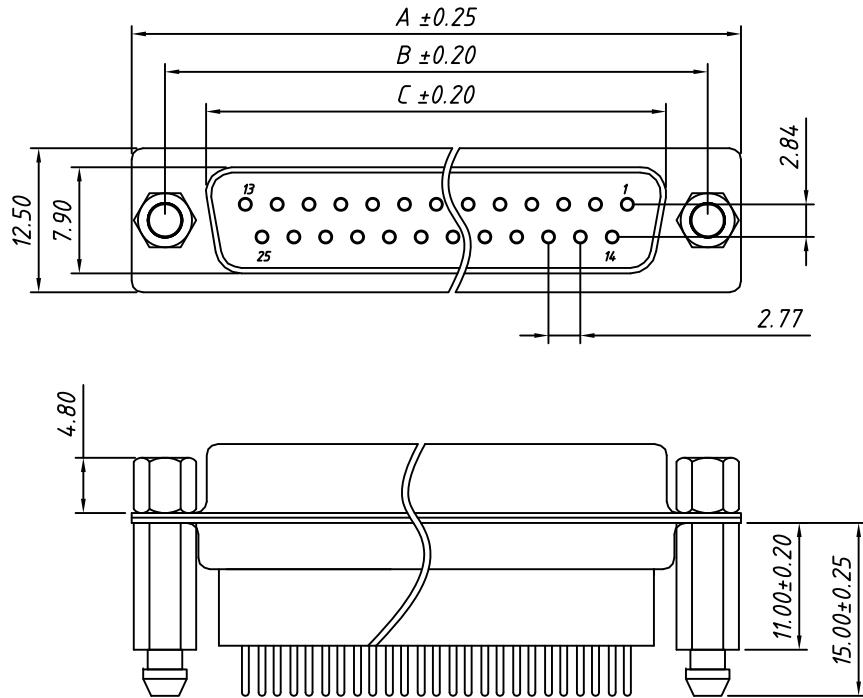


Order Information

L - KLS1 - 171B - XX - M - B
 RoHS
 D-SUB Connector,
 2 Row Through Hole,Riveting Later Harpoons
 XX-No. of 09,15,25,37pins
 Connector type: M-Male
 Housing Color:
 B-Black L-Blue W-White

GENERAL TOLERANCE	PROJECTION		Description:
X. ±0.30	UNITS	mm	D-SUB Connector,High Profile, Through Hole, Male,Riveting Later Harpoons
.X ±0.25	SCALE	1:1	
.XX ±0.20	Draw by:	Daniel	KLS P/N: L-KLS1-171B-XX-M-B
ANGLE TOLERANCE	Check by:	Daniel	NingBo KLS ELECTRONIC CO.,L TD.
X. ±3°	Date	2018-03-01	
.X ±2°	SHEET	1 OF 1	
.XX ±1°			

1 RoHS Compliant



Material:
 Housing: PBT+30% Glass filled ,UL94V-0
 Contacts: Brass ,Gold Plating or
 Gold Plating on Contact Arer,
 Tin on Solder Tail.
 Shell: Steel, Nickel Plating

Electrical Characteristics:
 Current Rating: 5 AMP
 Insulator Resistance: 1000MΩ Min. at DC 500V
 Withstanding Voltage: 500V AC (rms) for 1 minute
 Contact Resistance: 20mΩ Max. Initial
 Operating Temperature: -40°C ~ +105°C

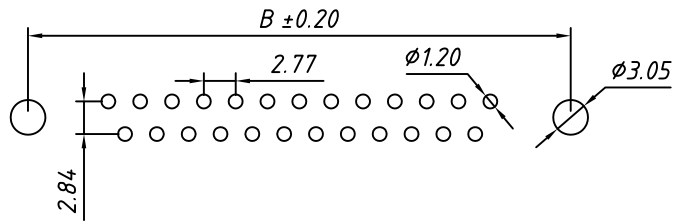
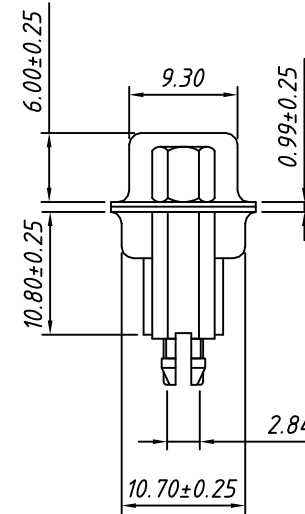
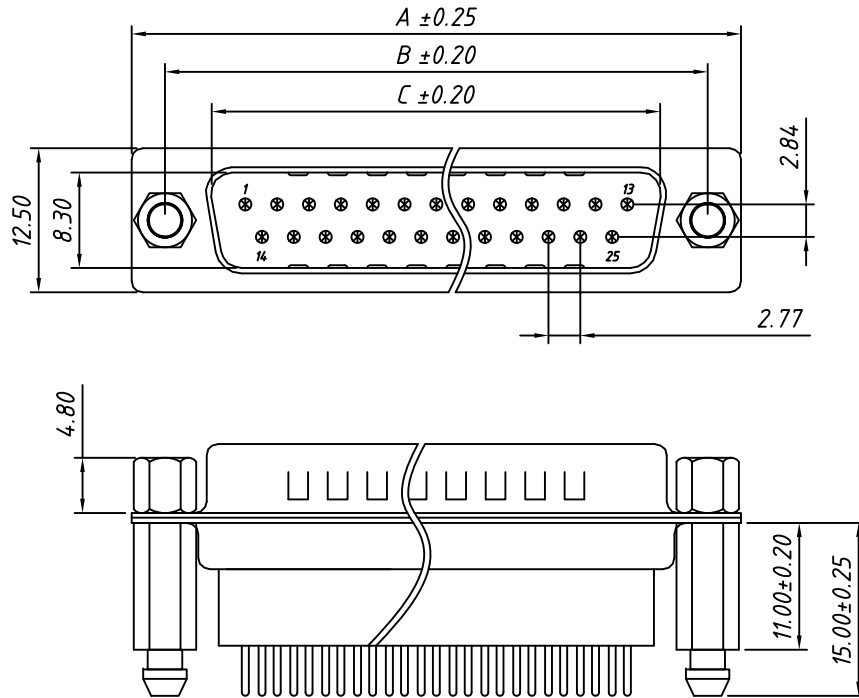
Order Information

L - KLS1 - 171C - XX - F - B
 RoHS
 D-SUB Connector,
 2 Row Through Hole,After Lock Screw Rivet Harpoons
 XX-No. of 09,15,25,37pins
 Connector type: F-Female
 Housing Color:
 B-Black L-Blue W-White

Number of Contacts	DIMENSION		
	A±0.25	B±0.20	C±0.20
09	30.81	24.99	16.33
15	39.14	33.32	24.66
25	53.04	47.04	38.38
37	69.32	63.50	54.84

GENERAL TOLERANCE	PROJECTION		Description:
X. ±0.30	UNITS	mm	D-SUB Connector,High Profile,
.X ±0.25	SCALE	1:1	Through Hole,Female,After Lock Screw Rivet Harpoons
.XX ±0.20	Draw by:	Daniel	KLS P/N: L-KLS1-171C-XX-F-B
ANGLE TOLERANCE	Check by:	Daniel	NingBo KLS ELECTRONIC CO.,L TD.
X. ±3°	Date	2018-03-01	
.X ±2°	SHEET	1 OF 1	
.XX ±1°			

1 RoHS Compliant



RECOMMENDED PCB LAYOUT
TOLERANCE: ±0.05mm

Material:
Housing: PBT+30% Glass filled ,UL94V-0
Contacts: Brass ,Gold Plating or
Gold Plating on Contact Arer,
Tin on Solder Tail.
Shell: Steel, Nickel Plating

Electrical Characteristics:
Current Rating: 5 AMP
Insulator Resistance: 1000MΩ Min. at DC 500V
Withstanding Voltage: 500V AC (rms) for 1 minute
Contact Resistance: 20mΩ Max. Initial
Operating Temperature: -40°C ~ +105°C

Order Information

L - KLS1 - 171C - XX - M - B
RoHS
D-SUB Connector,
2 Row Through Hole,After Lock Screw Rivet Harpoons
XX-No.of 09,15,25,37pins
Connector type: M-Male
Housing Color:
B-Black L-Blue W-White

Number of Contacts	DIMENSION		
	A±0.25	B±0.20	C±0.20
09	30.81	24.99	16.92
15	39.14	33.32	25.25
25	53.04	47.04	38.96
37	69.32	63.50	55.42

GENERAL TOLERANCE	PROJECTION		Description:
X. ±0.30	UNITS	mm	D-SUB Connector,High Profile,
.X ±0.25	SCALE	1:1	Through Hole, Male, After Lock Screw Rivet Harpoons
.XX ±0.20	Draw by:	Daniel	KLS P/N: L-KLS1-171C-XX-M-B
ANGLE TOLERANCE	Check by:	Daniel	NingBo KLS ELECTRONIC CO.,L TD.
X. ±3°	Date	2018-03-01	
.X ±2°	SHEET	1 OF 1	
.XX ±1°			