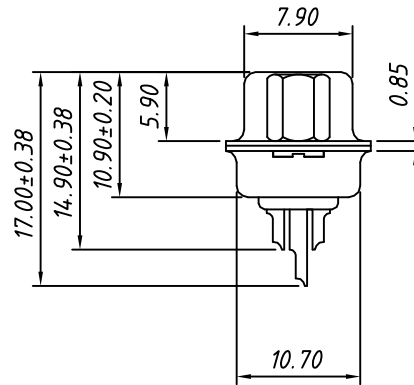
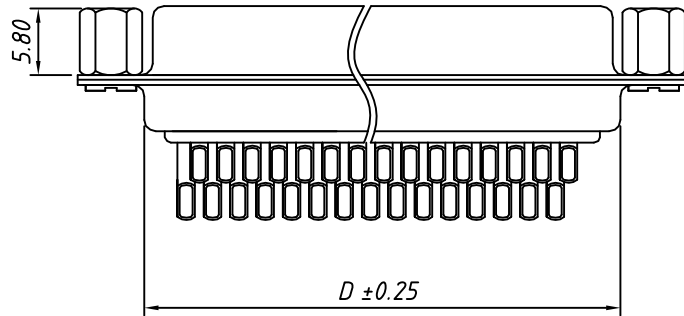
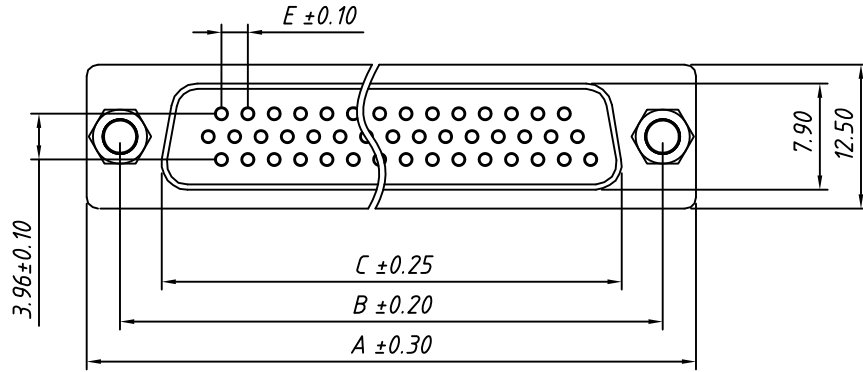


1 RoHS Compliant



Material:  
Housing: PBT+30% Glass filled, UL94V-0  
Contacts: Brass,  
Gold Plating on Contact Area,  
Tin on Solder Tail.  
Shell: Steel,  
Front Shell Nickel Plating,  
Back Shell Tin Plating

Electrical Characteristics:  
Current Rating: 5 AMP  
Insulator Resistance: 1000MΩ Min. at DC 500V  
Withstanding Voltage: 500V AC (rms) for 1 minute  
Contact Resistance: 20mΩ Max. Initial  
Operating Temperature: -55°C ~ +105°C

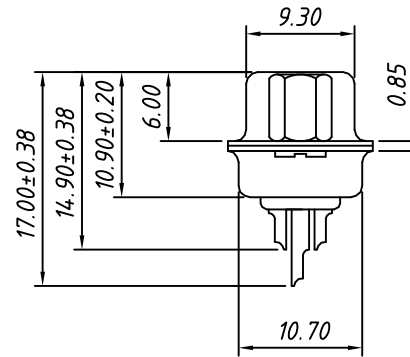
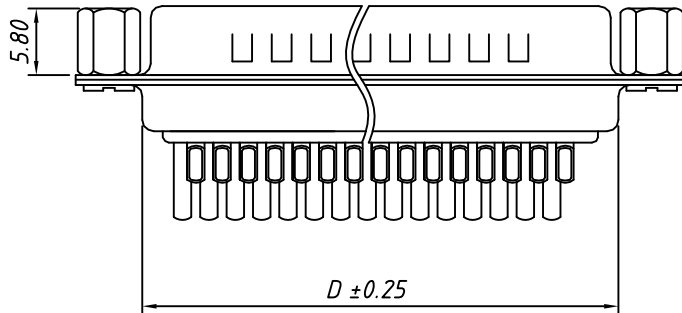
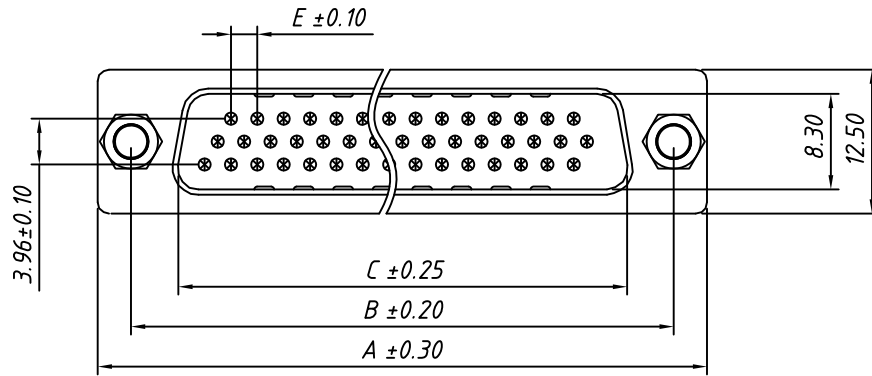
Order Information

L - KLS1 - 214A - XX - F - L  
RoHS \_\_\_\_\_  
D-SUB Connector \_\_\_\_\_  
Type: 214A \_\_\_\_\_  
XX-No. of 15, 26, 44, 62 pins \_\_\_\_\_  
Connector type: M-Male F-Female \_\_\_\_\_  
Housing Color: \_\_\_\_\_  
L-Blue B-Black W-White

| Number of Contacts | DIMENSION |        |        |        |        |
|--------------------|-----------|--------|--------|--------|--------|
|                    | A±0.30    | B±0.20 | C±0.25 | D±0.25 | E±0.10 |
| 15                 | 30.80     | 25.00  | 16.30  | 19.30  | 2.29   |
| 26                 | 39.20     | 33.30  | 24.60  | 27.60  | 2.29   |
| 44                 | 53.10     | 47.04  | 38.30  | 41.10  | 2.29   |
| 62                 | 69.34     | 63.50  | 54.80  | 57.30  | 2.41   |

| GENERAL TOLERANCE | PROJECTION |            | Description:   |
|-------------------|------------|------------|--|
| X. ±0.30          | UNITS      | mm         | D-SUB Connector,<br>Solder Type, Female, Riveting Before |
| .X ±0.25          | SCALE      | 1:1        |  |
| .XX ±0.20         | Draw by:   | Daniel     | KLS P/N: L-KLS1-214A-XX-F-L                              |
| ANGLE TOLERANCE   | Check by:  | Daniel     | NingBo KLS ELECTRONIC CO., L TD.                         |
| X. ±3°            | Date       | 2018-03-01 |  |
| .X ±2°            | SHEET      | 1 OF 1     |  |
| .XX ±1°           |            |            |  |

1 RoHS Compliant



**Material:**  
 Housing: PBT+30% Glass filled, UL94V-0  
 Contacts: Brass,  
 Gold Plating on Contact Area,  
 Tin on Solder Tail.  
**Shell: Steel,**  
 Front Shell Nickel Plating,  
 Back Shell Tin Plating

**Electrical Characteristics:**  
 Current Rating: 5 AMP  
 Insulator Resistance: 1000MΩ Min. at DC 500V  
 Withstanding Voltage: 500V AC (rms) for 1 minute  
 Contact Resistance: 20mΩ Max. Initial  
 Operating Temperature: -55°C ~ +105°C

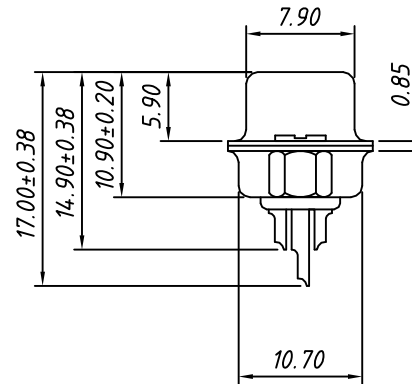
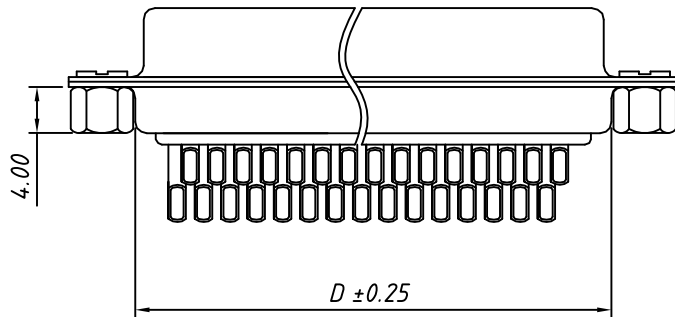
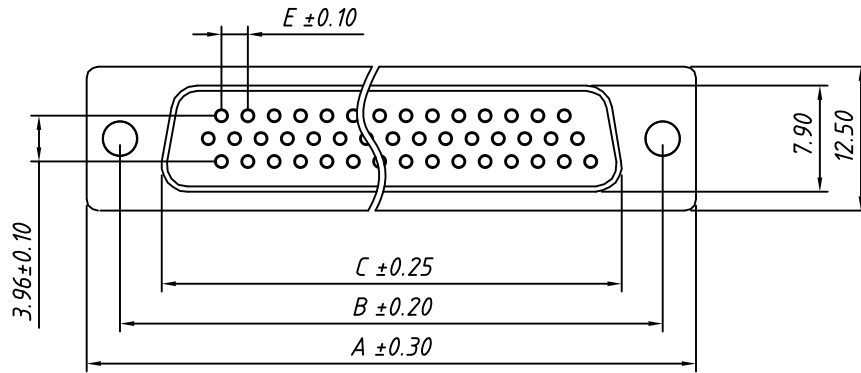
**Order Information**

L - KLS1 - 214A - XX - M - L  
 RoHS \_\_\_\_\_  
 D-SUB Connector \_\_\_\_\_  
 Type: 214A \_\_\_\_\_  
 XX-No. of 15, 26, 44, 62 pins \_\_\_\_\_  
 Connector type: M-Male F-Female \_\_\_\_\_  
 Housing Color: \_\_\_\_\_  
 L-Blue B-Black W-White

| Number of Contacts | DIMENSION |        |        |        |        |
|--------------------|-----------|--------|--------|--------|--------|
|                    | A±0.30    | B±0.20 | C±0.25 | D±0.25 | E±0.10 |
| 15                 | 30.80     | 25.00  | 16.90  | 19.30  | 2.29   |
| 26                 | 39.20     | 33.30  | 25.25  | 27.60  | 2.29   |
| 44                 | 53.10     | 47.04  | 38.96  | 41.10  | 2.29   |
| 62                 | 69.34     | 63.50  | 55.40  | 57.30  | 2.41   |

| GENERAL TOLERANCE | PROJECTION |            | Description:   |
|-------------------|------------|------------|--|
| X. ±0.30          | UNITS      | mm         | D-SUB Connector,<br>Solder Type, Male, Riveting Before |
| .X ±0.25          | SCALE      | 1:1        |  |
| .XX ±0.20         | Draw by:   | Daniel     | KLS P/N: L-KLS1-214A-XX-M-L                            |
| ANGLE TOLERANCE   | Check by:  | Daniel     | NingBo KLS ELECTRONIC CO.,L TD.                        |
| X. ±3°            | Date       | 2018-03-01 |  |
| .X ±2°            | SHEET      | 1 OF 1     |  |
| .XX ±1°           |            |            |  |

1 RoHS Compliant



Material:  
 Housing: PBT+30% Glass filled, UL94V-0  
 Contacts: Brass,  
 Gold Plating on Contact Area,  
 Tin on Solder Tail.  
 Shell: Steel,  
 Front Shell Nickel Plating,  
 Back Shell Tin Plating

Electrical Characteristics:  
 Current Rating: 5 AMP  
 Insulator Resistance: 1000MΩ Min. at DC 500V  
 Withstanding Voltage: 500V AC (rms) for 1 minute  
 Contact Resistance: 20mΩ Max. Initial  
 Operating Temperature:  $-55^{\circ}\text{C} \sim +105^{\circ}\text{C}$

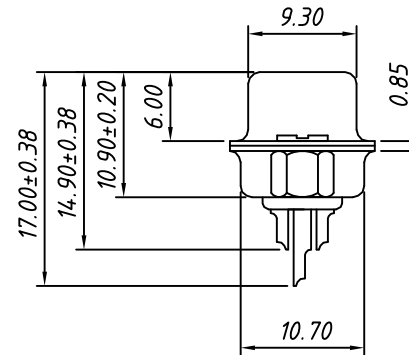
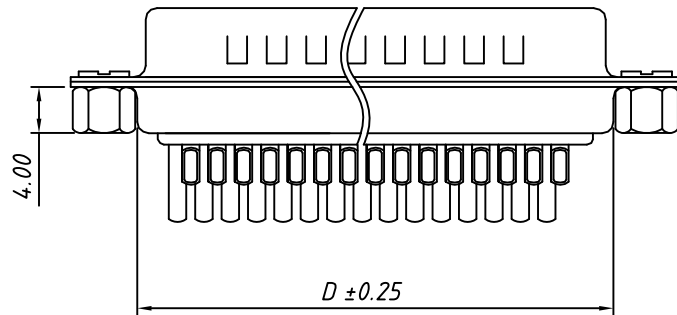
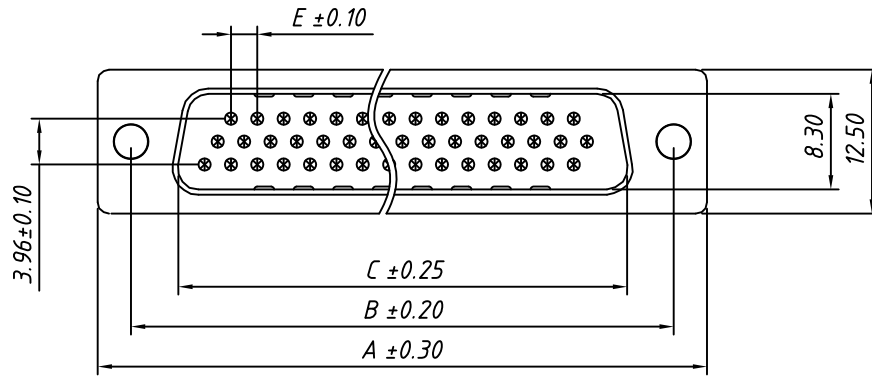
Order Information

L - KLS1 - 214D - XX - F - L  
 RoHS \_\_\_\_\_  
 D-SUB Connector \_\_\_\_\_  
 Type: 214D \_\_\_\_\_  
 XX-No. of 15, 26, 44, 62 pins \_\_\_\_\_  
 Connector type: M-Male F-Female \_\_\_\_\_  
 Housing Color: \_\_\_\_\_  
 L-Blue B-Black W-White

| Number of Contacts | DIMENSION |        |        |        |        |
|--------------------|-----------|--------|--------|--------|--------|
|                    | A±0.30    | B±0.20 | C±0.25 | D±0.25 | E±0.10 |
| 15                 | 30.80     | 25.00  | 16.30  | 19.30  | 2.29   |
| 26                 | 39.20     | 33.30  | 24.60  | 27.60  | 2.29   |
| 44                 | 53.10     | 47.04  | 38.30  | 41.10  | 2.29   |
| 62                 | 69.34     | 63.50  | 54.80  | 57.30  | 2.41   |

| GENERAL TOLERANCE | PROJECTION |            | Description:  |
|-------------------|------------|------------|---|
| X. ±0.30          | UNITS      | mm         | D-SUB Connector,<br>Solder Type, Female, Riveting After |
| .X ±0.25          | SCALE      | 1:1        |   |
| .XX ±0.20         | Draw by:   | Daniel     | KLS P/N: L-KLS1-214D-XX-F-L                             |
| ANGLE TOLERANCE   | Check by:  | Daniel     | NingBo KLS ELECTRONIC CO.,L TD.                         |
| X. ±3°            | Date       | 2018-03-01 |   |
| .X ±2°            | SHEET      | 1 OF 1     |   |
| .XX ±1°           |            |            |   |

1 RoHS Compliant



Material:  
 Housing: PBT+30% Glass filled, UL94V-0  
 Contacts: Brass,  
 Gold Plating on Contact Area,  
 Tin on Solder Tail.  
 Shell: Steel,  
 Front Shell Nickel Plating,  
 Back Shell Tin Plating

Electrical Characteristics:  
 Current Rating: 5 AMP  
 Insulator Resistance: 1000MΩ Min. at DC 500V  
 Withstanding Voltage: 500V AC (rms) for 1 minute  
 Contact Resistance: 20mΩ Max. Initial  
 Operating Temperature: -55°C ~ +105°C

Order Information

L - KLS1 - 214D - XX - M - L  
 RoHS \_\_\_\_\_  
 D-SUB Connector \_\_\_\_\_  
 Type: 214D \_\_\_\_\_  
 XX - No. of 15, 26, 44, 62 pins \_\_\_\_\_  
 Connector type: M - Male F - Female \_\_\_\_\_  
 Housing Color: \_\_\_\_\_  
 L - Blue B - Black W - White

| Number of Contacts | DIMENSION |          |          |          |          |
|--------------------|-----------|----------|----------|----------|----------|
|                    | A ± 0.30  | B ± 0.20 | C ± 0.25 | D ± 0.25 | E ± 0.10 |
| 15                 | 30.80     | 25.00    | 16.90    | 19.30    | 2.29     |
| 26                 | 39.20     | 33.30    | 25.25    | 27.60    | 2.29     |
| 44                 | 53.10     | 47.04    | 38.96    | 41.10    | 2.29     |
| 62                 | 69.34     | 63.50    | 55.40    | 57.30    | 2.41     |

| GENERAL TOLERANCE | PROJECTION |            | Description:  |
|-------------------|------------|------------|---|
| X. ± 0.30         | UNITS      | mm         | D-SUB Connector,<br>Solder Type, Male, Riveting After |
| .X ± 0.25         | SCALE      | 1:1        |   |
| .XX ± 0.20        | Draw by:   | Daniel     | KLS P/N: L-KLS1-214D-XX-M-L                           |
| ANGLE TOLERANCE   | Check by:  | Daniel     | NingBo KLS ELECTRONIC CO., L TD.                      |
| X. ± 3°           | Date       | 2018-03-01 |   |
| .X ± 2°           | SHEET      | 1 OF 1     |   |
| .XX ± 1°          |            |            |   |