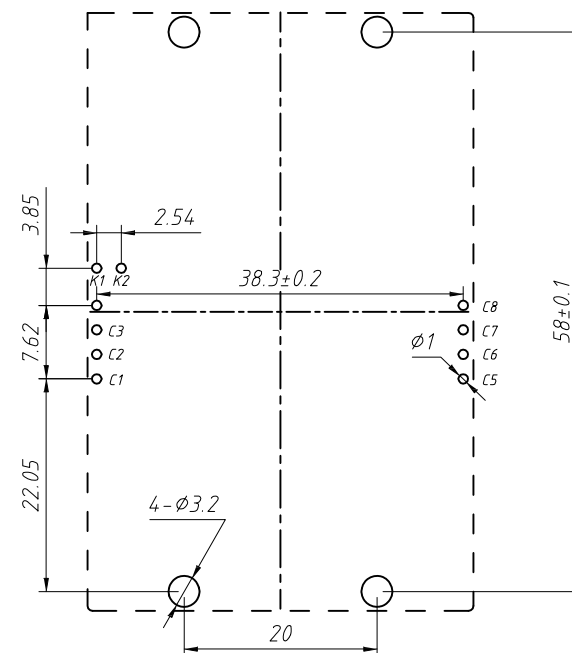
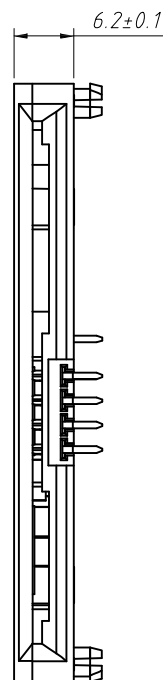
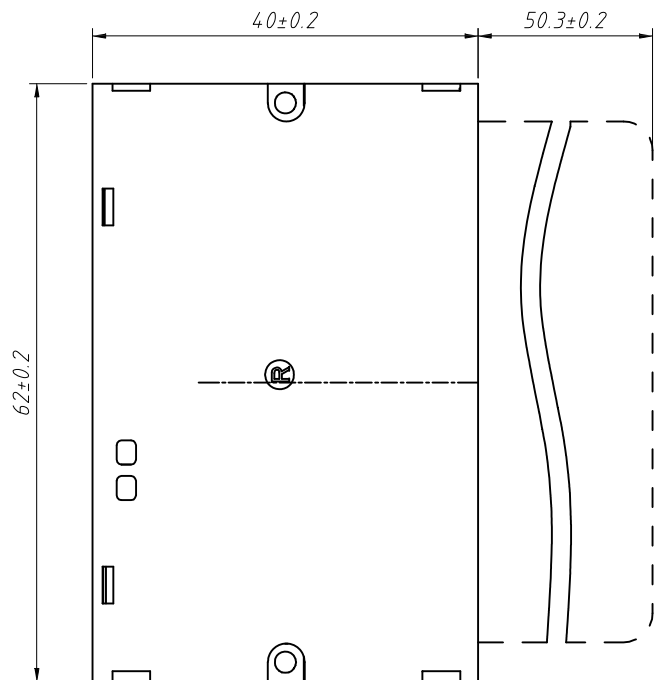


1 RoHS Compliance



Recommended PCB Layout(Female)  
Tolerance±0.05mm

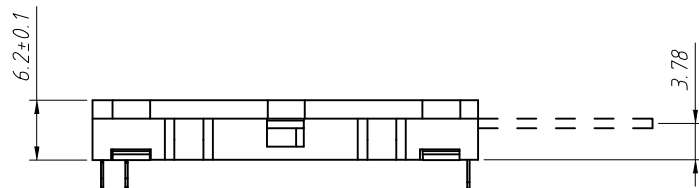
Notes:

1. Specifications

- 1-1 Contact Resistance:50mΩ typical, 100mΩ max.
- 1-2 Insulation Resistance:1000MΩ min
- 1-3 Current Rating: 1A
- 1-4 Dielectric withstanding voltage: AC 500V(r.m.s) /60s
- 1-5 Operating temperaturer: -45°Cto +85°C
- 1-6 Manual soldering:330°C,3sec.max

2. Materials:

- 2-1 Contact: copper alloy
- 2-2 housing :PC
- 3. Product number code:KF-006
- 4. DIP TYPE
- 5. 8Pin+ switch
- 6. Switch: normally open or close



ANGLE TOLERANCE	PROJECTION	Description:	Smart Card Connector PUSH PULL, 8P+2P,Without post
±3°			
GENERAL TOLERANCE	UNITS	mm	KLS P/N: L-KLS1-ISC-F006
x.x ±0.30	SHEET SIZE	A4	
x.xx ±0.20	Draw:	Daniel	2018-07-10
x.xxx ±0.10	Check:	Daniel	2018-07-10



NingBo KLS ELECTRONIC CO.,L TD.