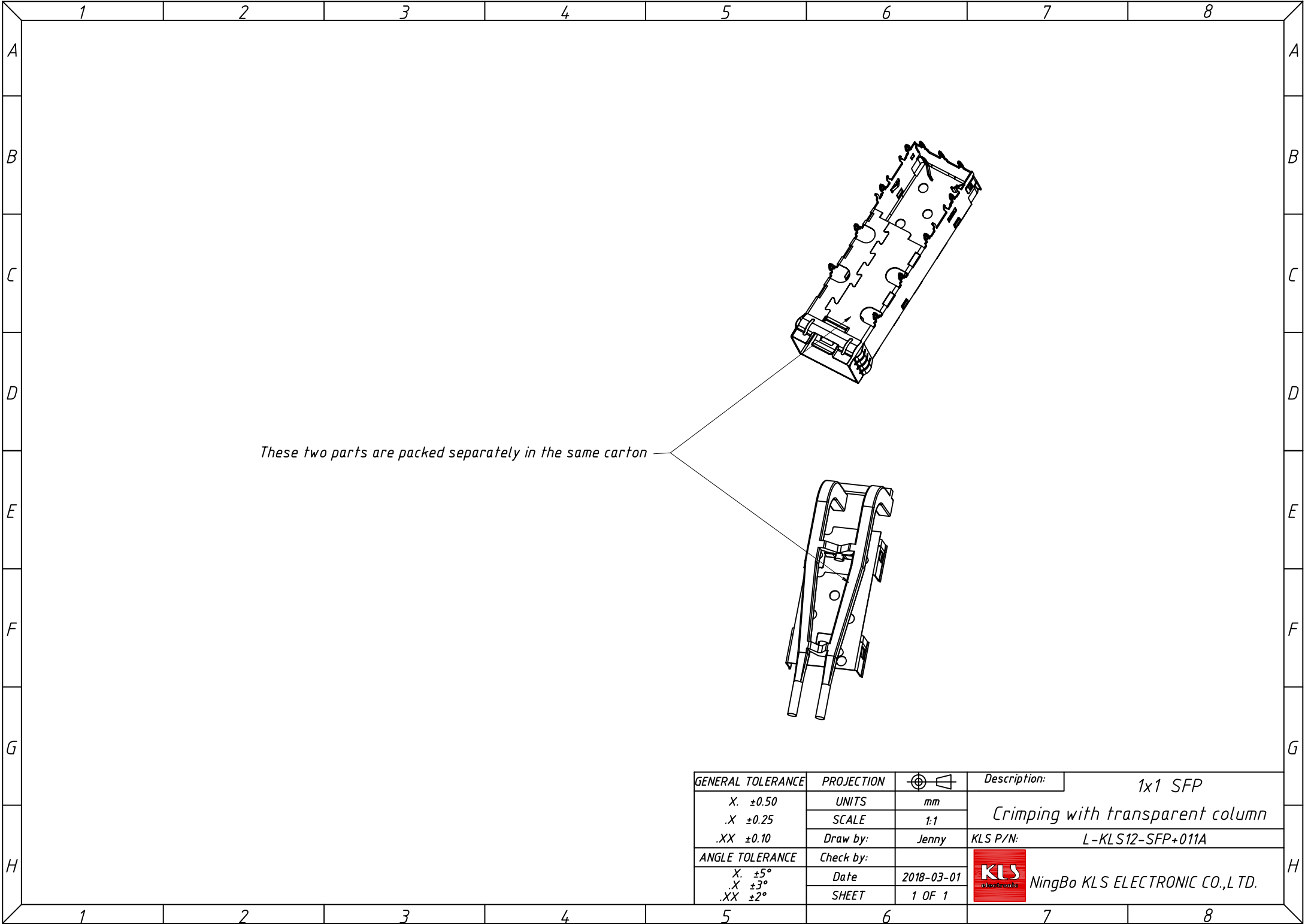


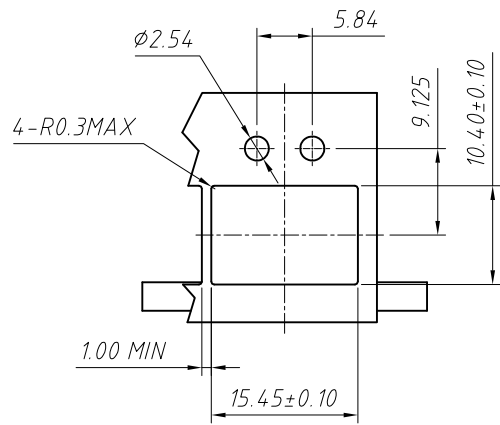
- Notes:
- 1.Cage: Copper Alloy Thickness:0.25mm
 - 2.Clip: Stainless Steel
 - 3.Light Pipe: Polycarbonate Color Clear

GENERAL TOLERANCE	PROJECTION		Description:
.X ±0.50	UNITS	mm	1x1 SFP
.X ±0.25	SCALE	1:1	Crimping with transparent column
.XX ±0.10	Draw by:	Jenny	KLS P/N: L-KLS12-SFP+011A
ANGLE TOLERANCE	Check by:		NingBo KLS ELECTRONIC CO.,L TD.
.X ±5°	Date	2018-03-01	
.X ±3°	SHEET	1 OF 1	
.XX ±2°			



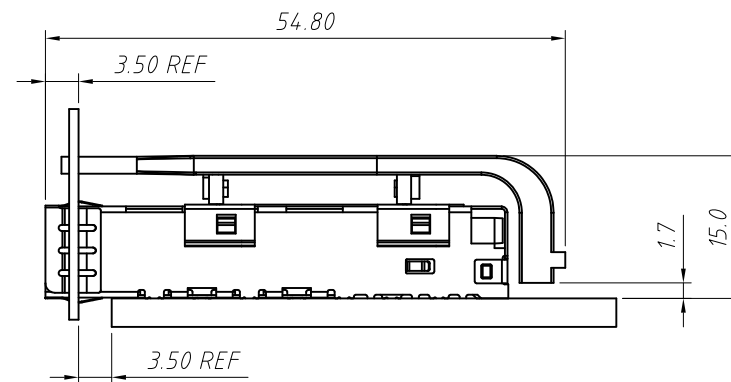
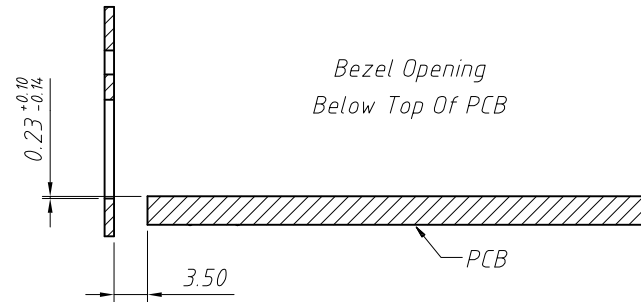
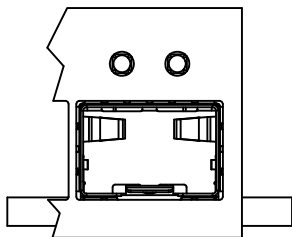
These two parts are packed separately in the same carton

GENERAL TOLERANCE	PROJECTION		Description:
X. ±0.50	UNITS	mm	1x1 SFP
.X ±0.25	SCALE	1:1	Crimping with transparent column
.XX ±0.10	Draw by:	Jenny	KLS P/N: L-KLS12-SFP+011A
ANGLE TOLERANCE	Check by:		NingBo KLS ELECTRONIC CO.,L TD.
X. ±5°	Date	2018-03-01	
.X ±3°	SHEET	1 OF 1	
.XX ±2°			

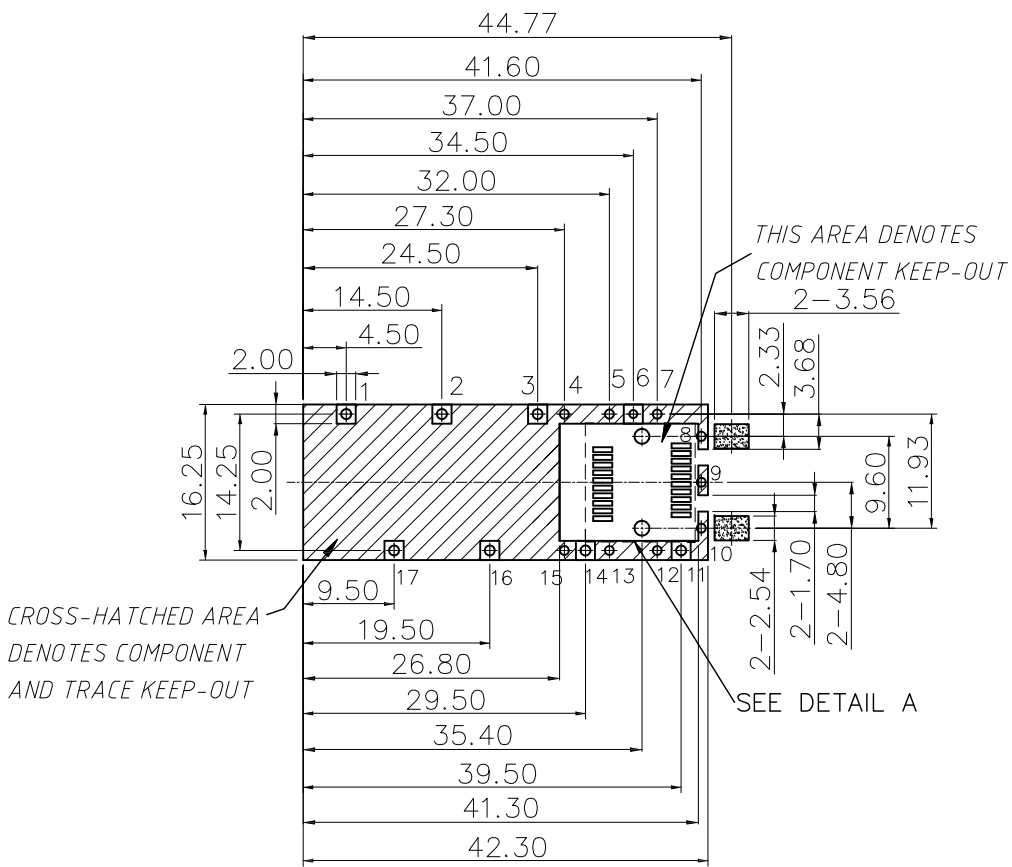


Bezel

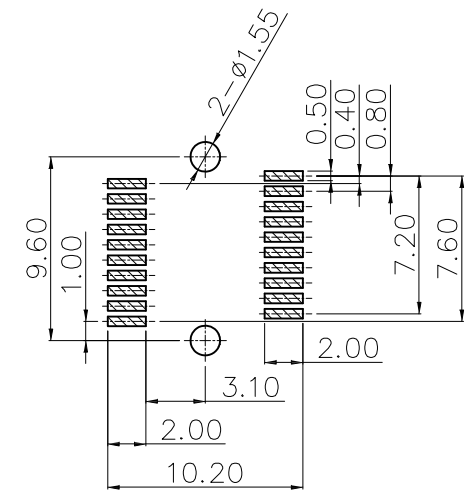
Recommended Panel Cutout And PC Board
Panel Position And Thickness 0.8-2.6



GENERAL TOLERANCE	PROJECTION		Description:	1x1 SFP
.X ±0.50	UNITS	mm	Crimping with transparent column	L-KLS12-SFP+011A
.X ±0.25	SCALE	1:1		
.XX ±0.10	Draw by:	Jenny		
ANGLE TOLERANCE	Check by:			
.X ±5°	Date	2018-03-01		NingBo KLS ELECTRONIC CO.,L TD.
.X ±3°	SHEET	1 OF 1		
.XX ±2°				



RECOMMENDED PCB LAYOUT (TOP VIEW)
(ALL TOLERANCES ARE +0.05)



DETAIL A (SCALE 2:1)

NOTE:
1,2,3,11,14,16,17# holes ϕ 1.05mm;
4,5,7,8,9,10,12,13,15# holes ϕ 0.95mm;
6# holes ϕ 0.85mm;

GENERAL TOLERANCE	PROJECTION		Description:
.X \pm 0.50	UNITS	mm	1x1 SFP
.X \pm 0.25	SCALE	1:1	Crimping with transparent column
.XX \pm 0.10	Draw by:	Jenny	KLS P/N: L-KLS12-SFP+011A
ANGLE TOLERANCE	Check by:		NingBo KLS ELECTRONIC CO.,L TD.
.X \pm 5°	Date	2018-03-01	
.X \pm 3°	SHEET	1 OF 1	
.XX \pm 2°			