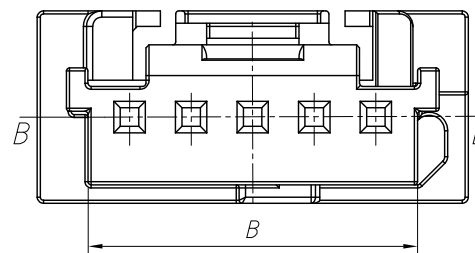
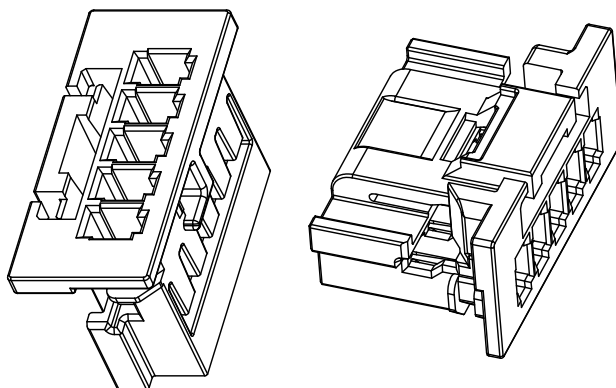
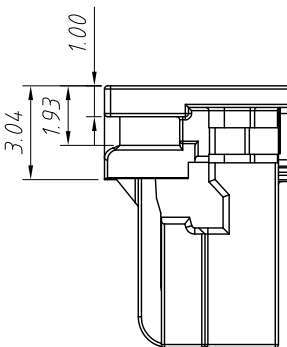
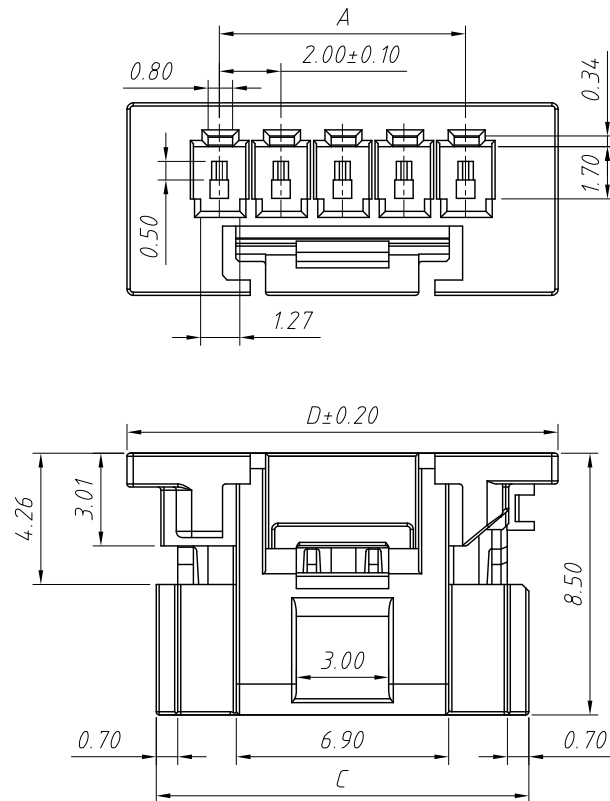
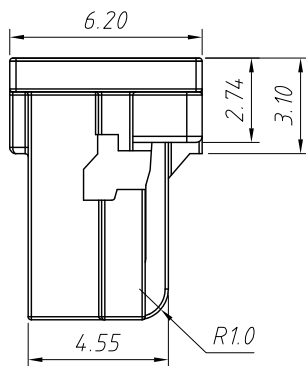
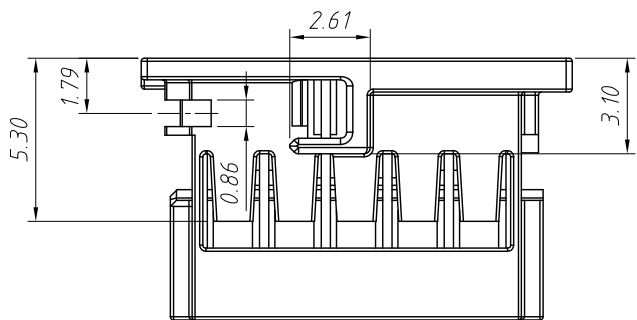


**Notes:**

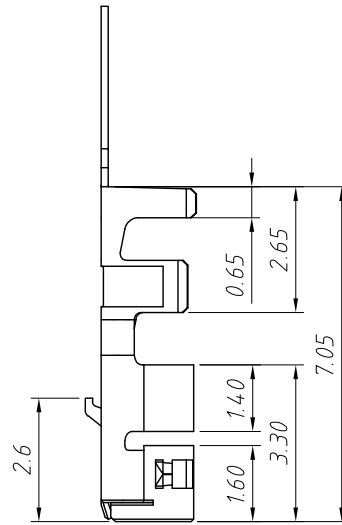
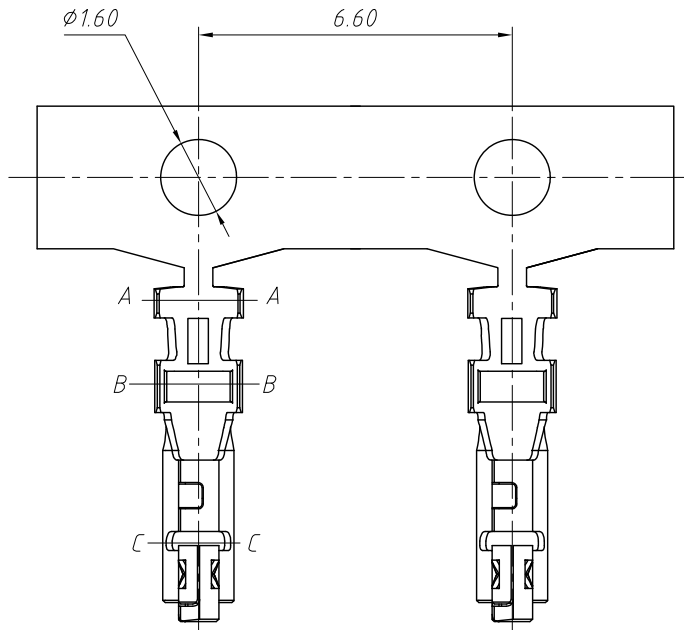
Housing Material: PBT, UL 94-V0

Temperature range: -40°C ~ +125°C



Circuit	Dimensions(mm)			
	A	B	C	D
02	---	4.70	6.10	8.00
03	4.00	6.70	8.10	10.00
04	6.00	8.70	10.10	12.00
05	8.00	10.70	12.10	14.00
06	10.00	12.70	14.10	16.00
07	12.00	14.70	16.10	18.00
08	14.00	16.70	18.10	20.00
09	16.00	18.70	20.10	22.00
10	18.00	20.70	22.10	24.00
11	20.00	22.70	24.10	26.00
12	22.00	24.70	26.10	28.00
13	24.00	26.70	28.10	30.00
14	6.00	28.70	30.10	32.00
15	28.00	30.70	32.10	34.00

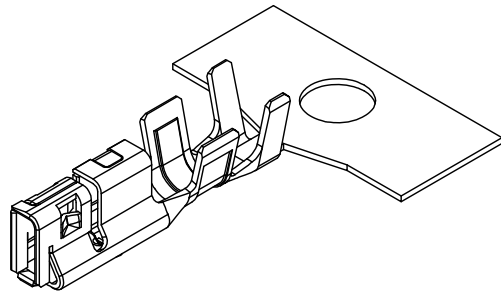
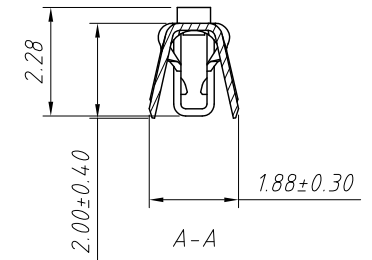
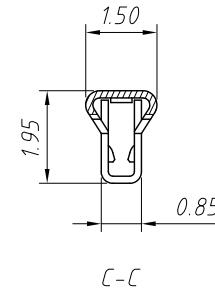
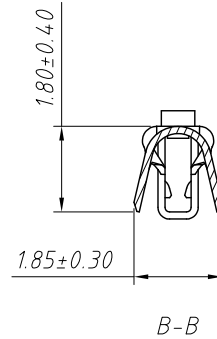
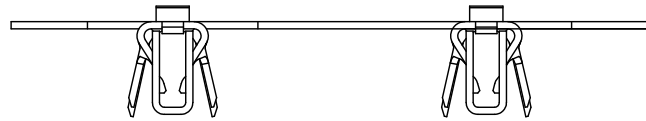
GENERAL TOLERANCE	PROJECTION		Description:
.X ±0.30	UNITS	mm	Pitch 2.00mm Wire To Board Connector
.X ±0.20	SCALE	1:1	
.XX ±0.10	Draw by:	Jenny	
ANGLE TOLERANCE	Check by:		KLS P/N: L-KLS1-ML-2.00-XX-H
.X ±5°	Date	2018-03-01	NingBo KLS ELECTRONIC CO.,L TD.
.X ±3°	SHEET	1 OF 1	
.XX ±2°			



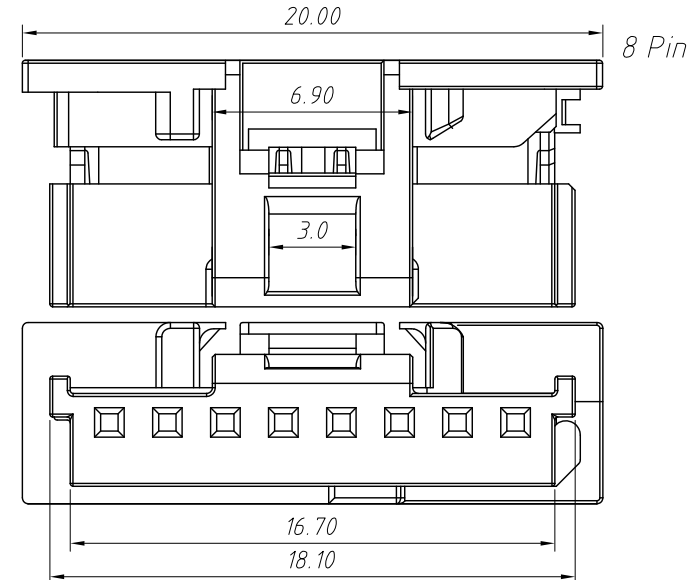
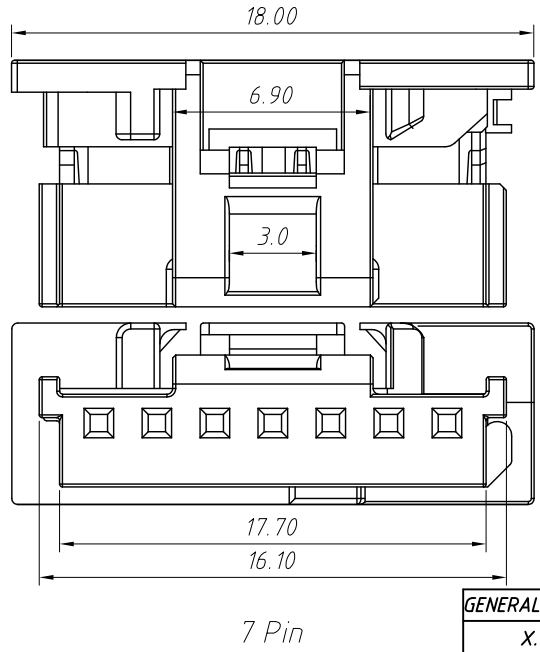
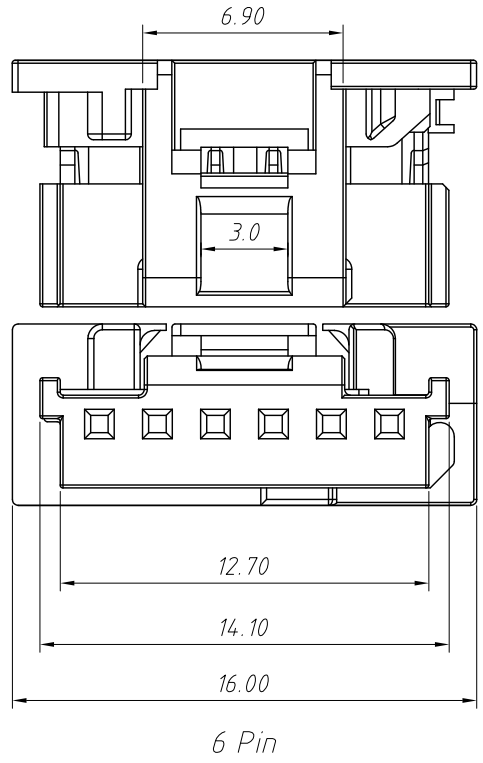
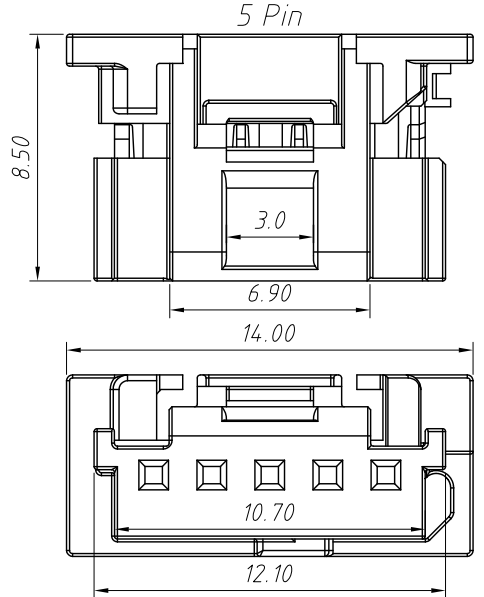
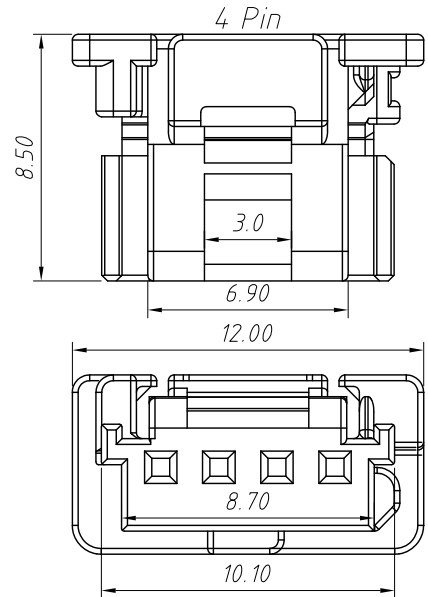
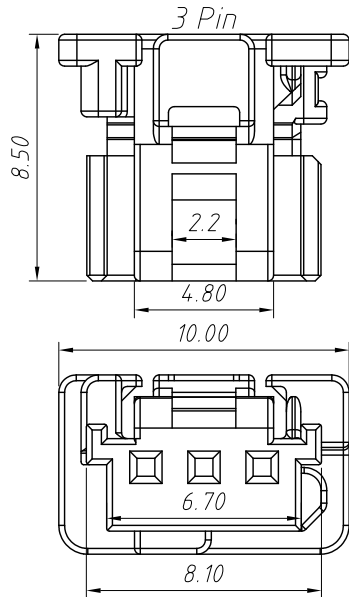
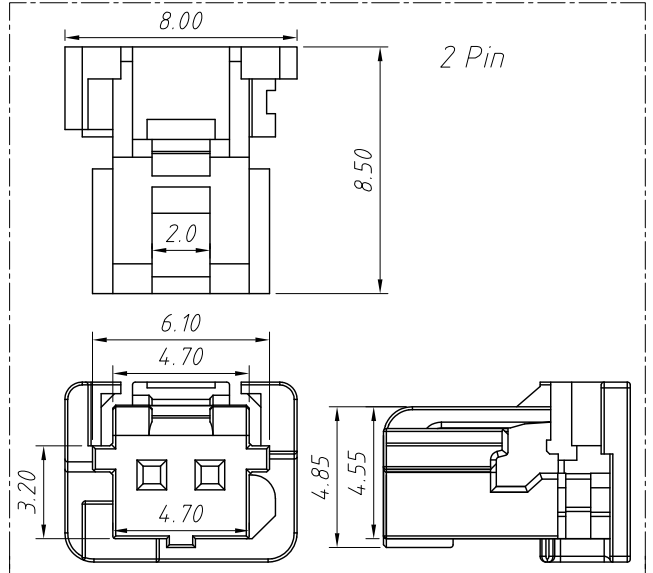
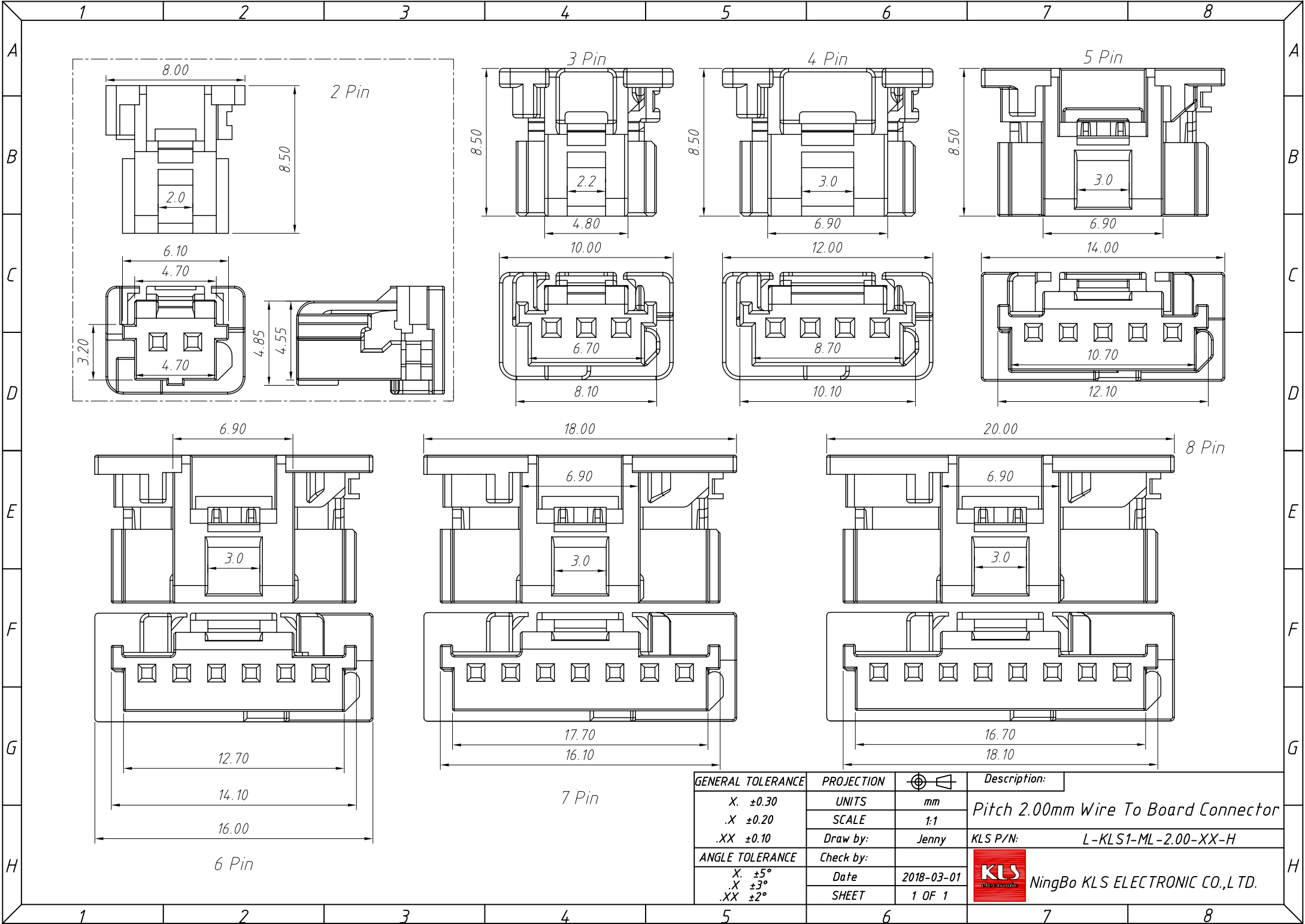
**SPECIFICATIONS**

Current rating: 3A AC, DC  
 Voltage rating: 125V AC, DC  
 Temperature range: -40°C ~ + 125°C  
 Insulation resistance: 1000MΩ Min  
 Withstanding Voltage: 1500V AC/minute  
 Contact resistance: 10mΩ Max.

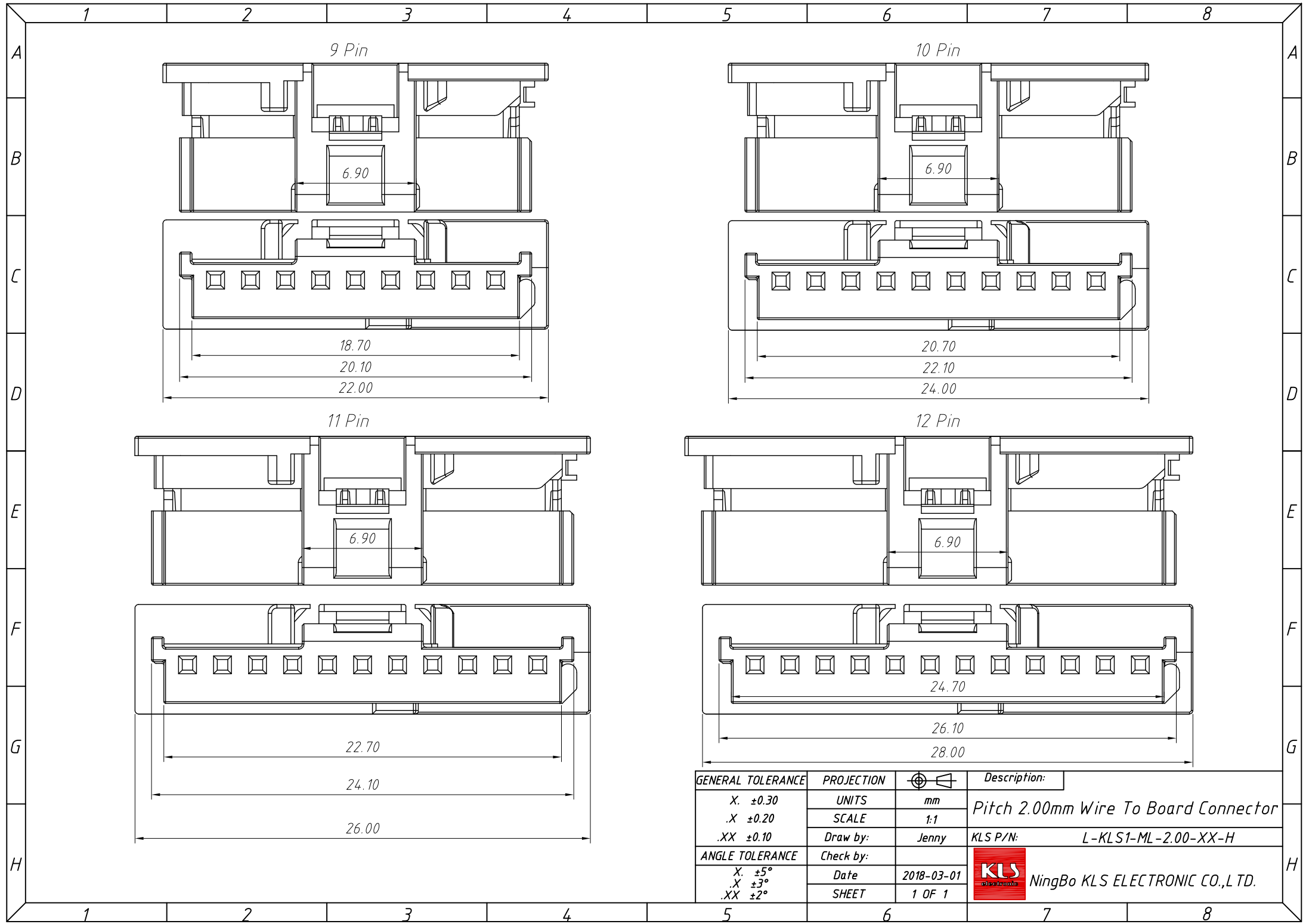
Material: Phosphor Bronze  
 Finish: 100-150u" TIN plated over 50-80u" Nickel all  
 Applicable wires: AWG #22 ~ #30  
 Qty/reel: 10000PCS



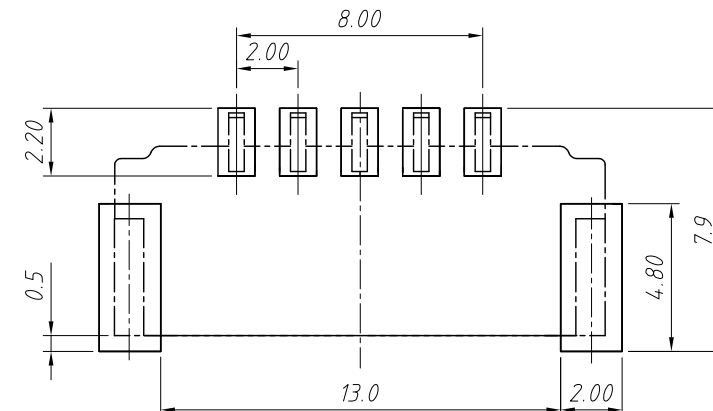
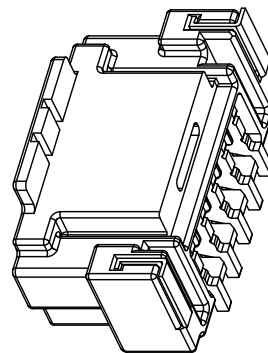
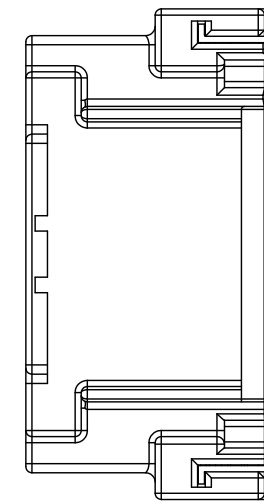
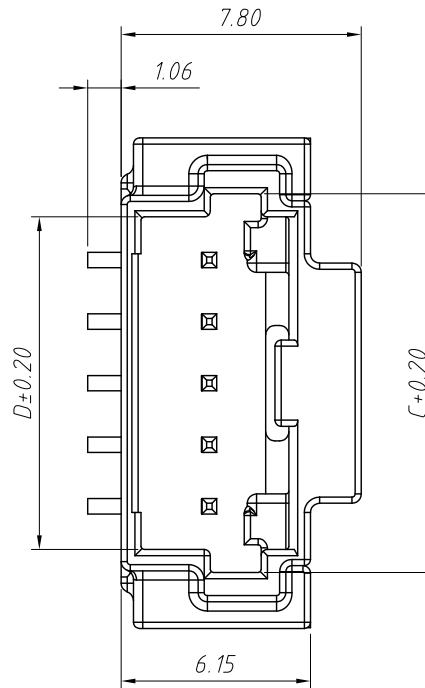
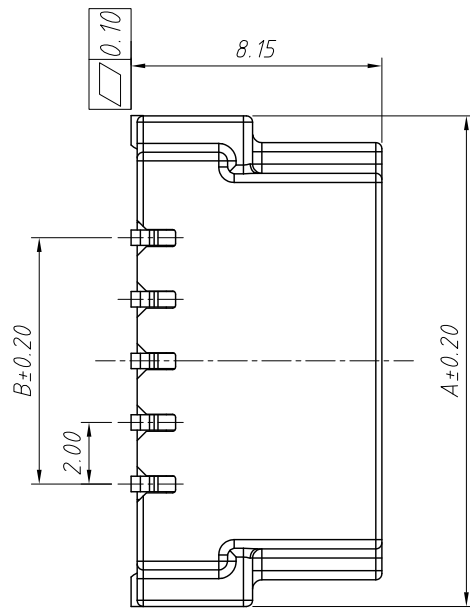
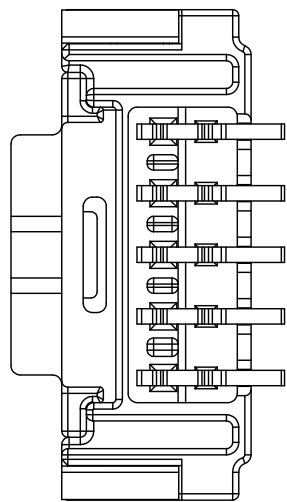
GENERAL TOLERANCE	PROJECTION		Description:
.X ±0.30	UNITS	mm	Pitch 2.00mm Terminal
.X ±0.20	SCALE	1:1	
.XX ±0.10	Draw by:	Jenny	
ANGLE TOLERANCE	Check by:		KLS P/N: L-KLS1-ML-2.00-T
.X ±5°	Date	2018-03-01	NingBo KLS ELECTRONIC CO.,L TD.
.X ±3°	SHEET	1 OF 1	
.XX ±2°			



GENERAL TOLERANCE	PROJECTION		Description:
X. $\pm 0.30$	UNITS	mm	Pitch 2.00mm Wire To Board Connector
.X $\pm 0.20$	SCALE	1:1	
.XX $\pm 0.10$	Draw by:	Jenny	
ANGLE TOLERANCE	Check by:		KLS P/N: L-KLS1-ML-2.00-XX-H
X. $\pm 5^\circ$	Date	2018-03-01	NingBo KLS ELECTRONIC CO.,L TD.
.X $\pm 3^\circ$	SHEET	1 OF 1	
.XX $\pm 2^\circ$			



GENERAL TOLERANCE	PROJECTION		Description:
.X ±0.30	UNITS	mm	Pitch 2.00mm Wire To Board Connector
.X ±0.20	SCALE	1:1	
.XX ±0.10	Draw by:	Jenny	
ANGLE TOLERANCE	Check by:		KLS P/N: L-KLS1-ML-2.00-XX-H
.X ±5°	Date	2018-03-01	NingBo KLS ELECTRONIC CO.,L TD.
.X ±3°	SHEET	1 OF 1	
.XX ±2°			



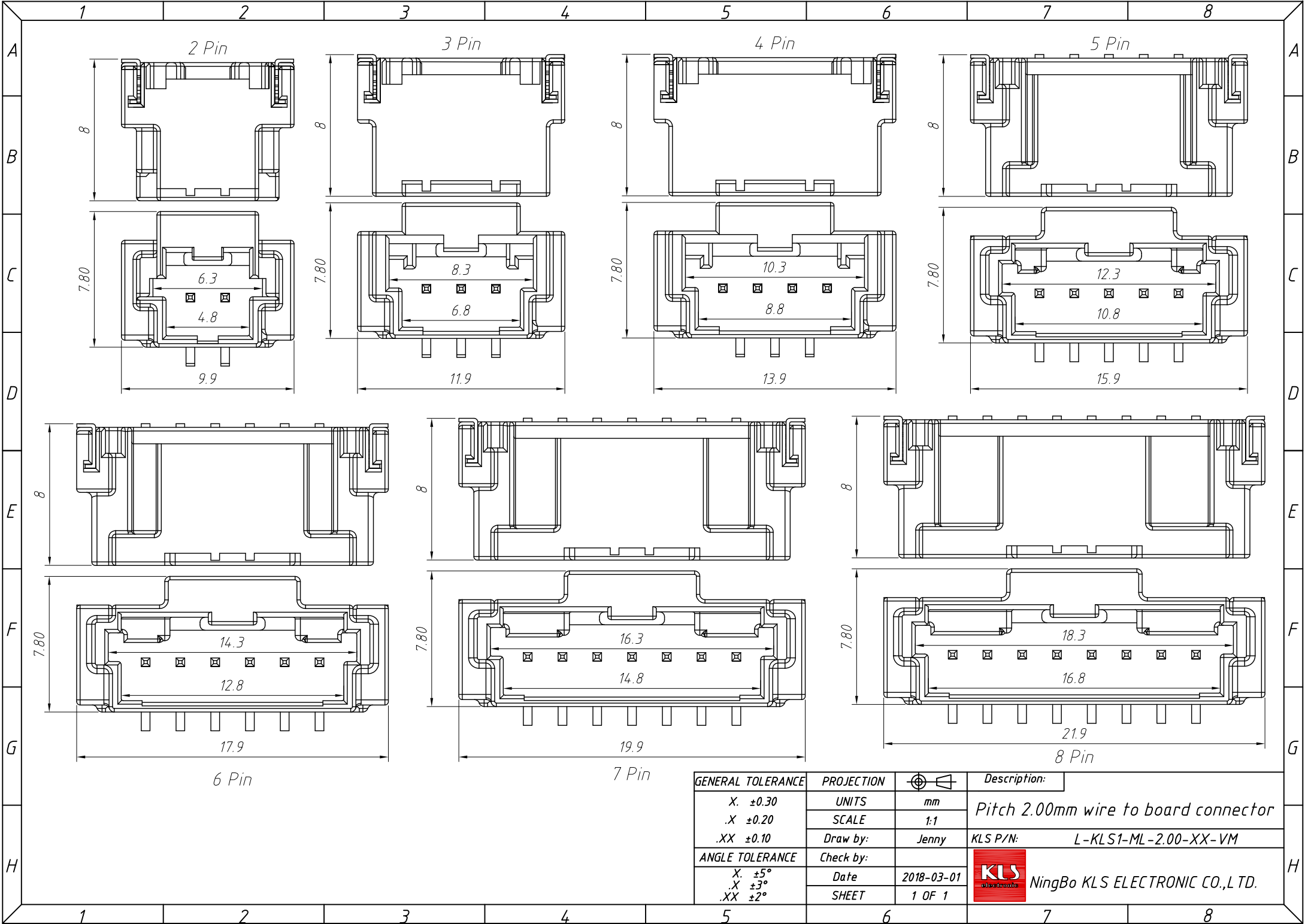
Recommended PCB Layout

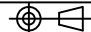

Circuit	Dimensions(mm)			
	A	B	C	D
02	9.90	2.00	6.30	4.80
03	11.90	4.00	8.30	6.80
04	13.90	6.00	10.30	8.80
05	15.90	8.00	12.30	10.80
06	17.90	10.00	14.30	12.80
07	19.90	12.00	16.30	14.80
08	21.90	14.00	18.30	16.80
09	23.90	16.00	20.30	18.80
10	25.90	18.00	22.30	20.80
11	27.90	20.00	24.30	22.80
12	27.90	22.00	26.30	24.80
13	31.90	24.00	28.30	26.80
14	33.90	26.00	30.30	28.80
15	35.90	28.00	32.30	30.80

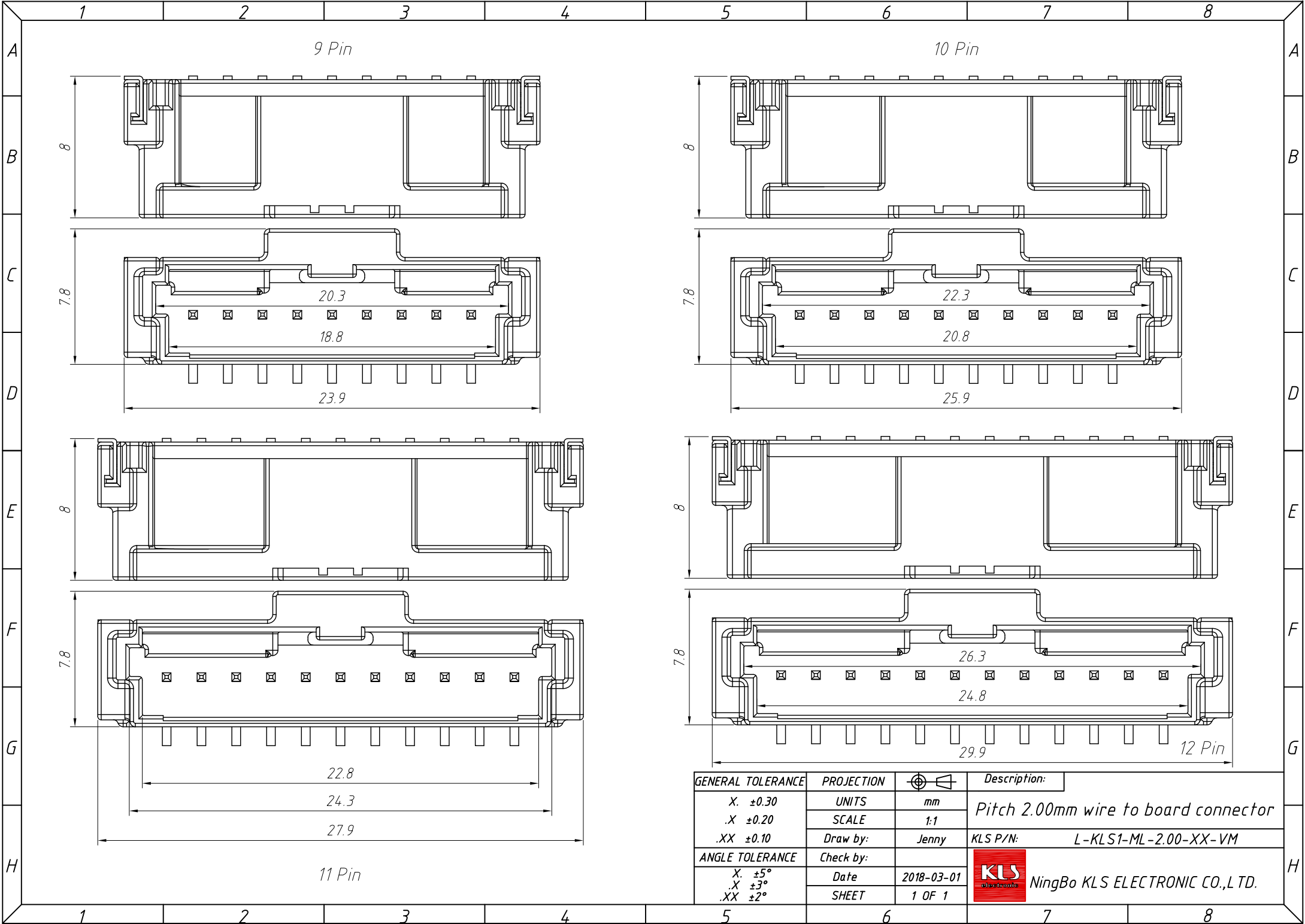
**Material:**  
 Insulator: Nylon 9T, UL 94V-0  
 Pin: Brass  
 Plating: Tin plated over Nickel

**Specifications:**  
 Current rating: 3A AC, DC  
 Voltage rating: 125V AC, DC  
 Temperature range: -40°C ~ +125°C  
 Insulation resistance: 1000MΩ Min  
 Withstanding Voltage: 500V AC/minute  
 Contact resistance: 10mΩ Max.

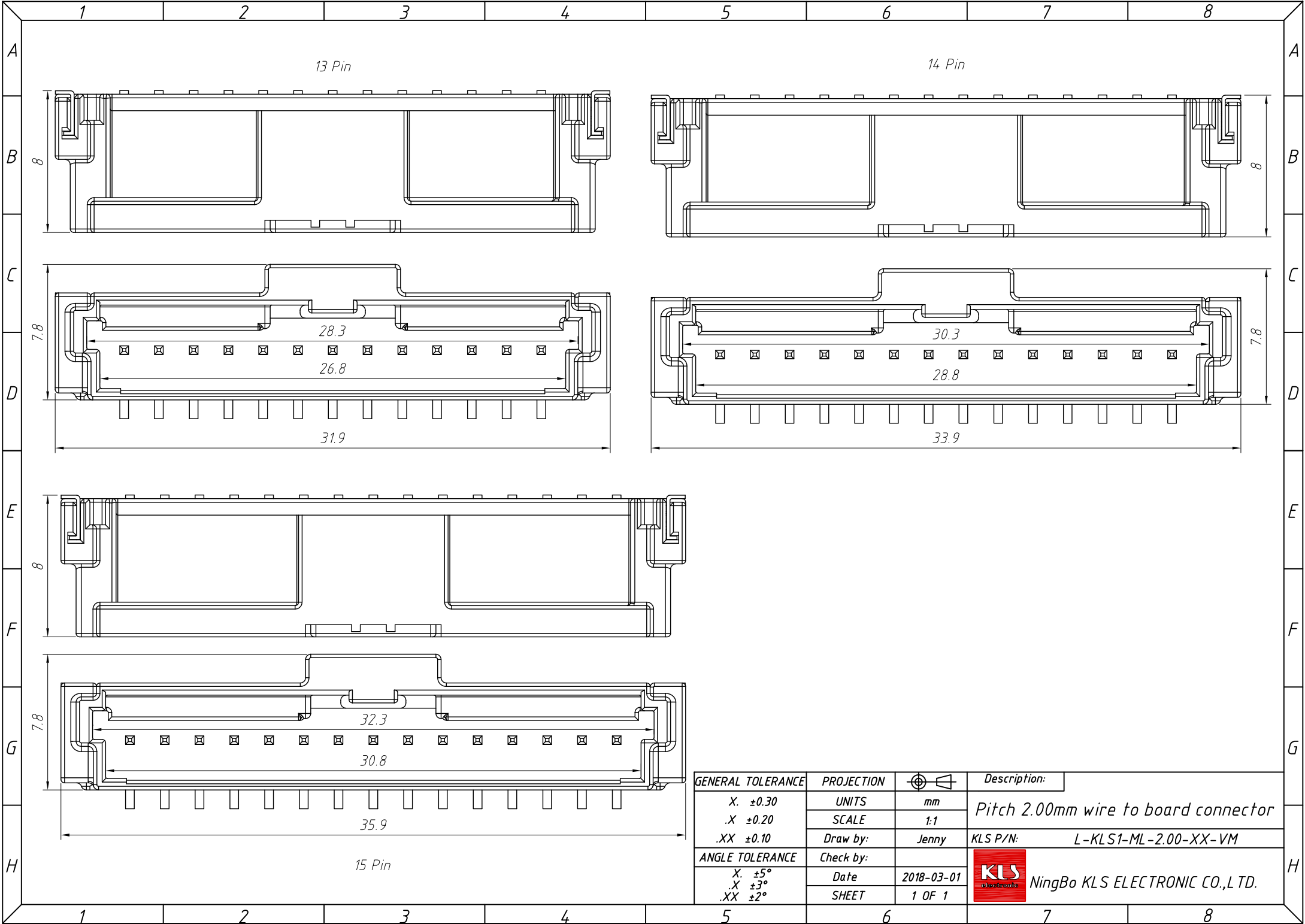
GENERAL TOLERANCE	PROJECTION		Description:
.X ±0.30	UNITS	mm	Pitch 2.00mm wire to board connector
.X ±0.20	SCALE	1:1	
.XX ±0.10	Draw by:	Jenny	
ANGLE TOLERANCE	Check by:		KLS P/N: L-KLS1-ML-2.00-XX-VM
.X ±5°	Date	2018-03-01	NingBo KLS ELECTRONIC CO.,L TD.
.X ±3°	SHEET	1 OF 1	
.XX ±2°			



GENERAL TOLERANCE	PROJECTION		Description:
X. ±0.30	UNITS	mm	Pitch 2.00mm wire to board connector
.X ±0.20	SCALE	1:1	
.XX ±0.10	Draw by:	Jenny	KLS P/N: L-KLS1-ML-2.00-XX-VM
ANGLE TOLERANCE	Check by:		 NingBo KLS ELECTRONIC CO.,L TD.
X. ±5°	Date	2018-03-01	
.X ±3°	SHEET	1 OF 1	
.XX ±2°			



GENERAL TOLERANCE	PROJECTION		Description:
.X ±0.30	UNITS	mm	Pitch 2.00mm wire to board connector
.X ±0.20	SCALE	1:1	
.XX ±0.10	Draw by:	Jenny	
ANGLE TOLERANCE	Check by:		KLS P/N: L-KLS1-ML-2.00-XX-VM
.X ±5°	Date	2018-03-01	NingBo KLS ELECTRONIC CO.,L TD.
.X ±3°	SHEET	1 OF 1	
.XX ±2°			



13 Pin

14 Pin

28.3

26.8

31.9

30.3

28.8

33.9

32.3

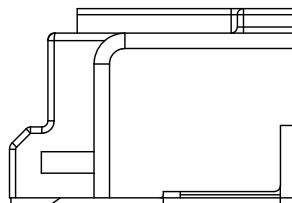
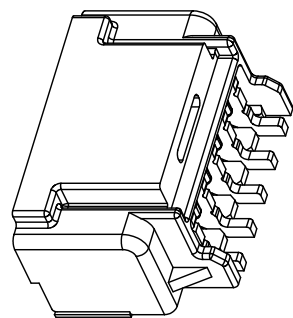
30.8

35.9

15 Pin

GENERAL TOLERANCE	PROJECTION		Description:
.X ±0.30	UNITS	mm	Pitch 2.00mm wire to board connector
.X ±0.20	SCALE	1:1	
.XX ±0.10	Draw by:	Jenny	KLS P/N: L-KLS1-ML-2.00-XX-VM
ANGLE TOLERANCE	Check by:		NingBo KLS ELECTRONIC CO.,L TD.
.X ±5°	Date	2018-03-01	
.X ±3°	SHEET	1 OF 1	
.XX ±2°			

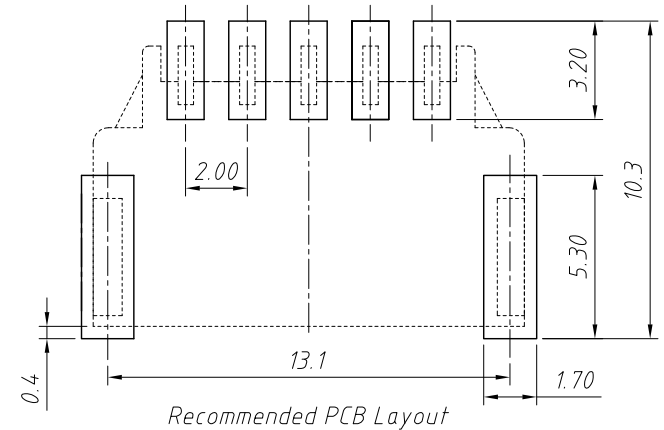
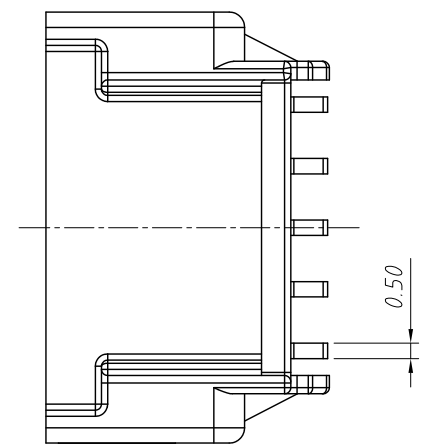
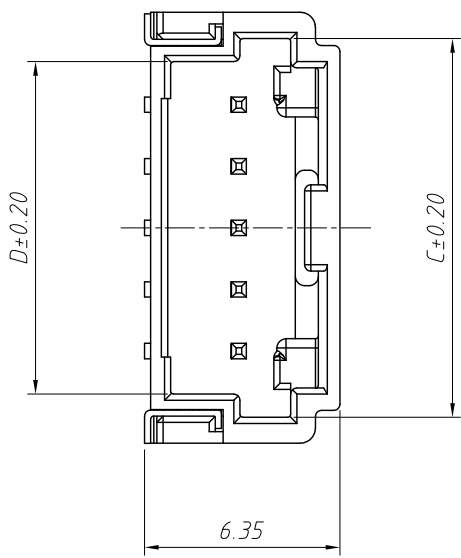
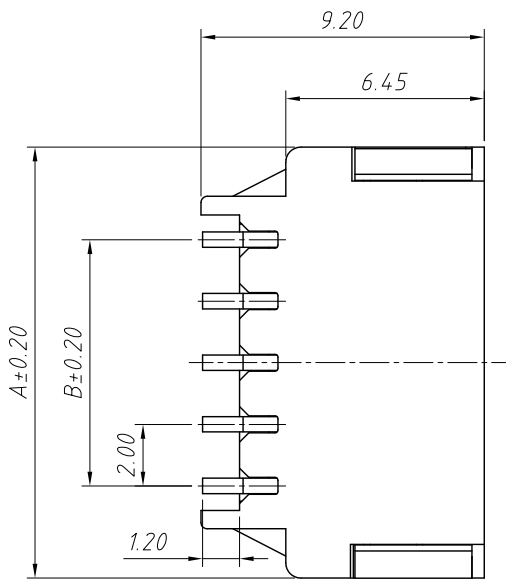
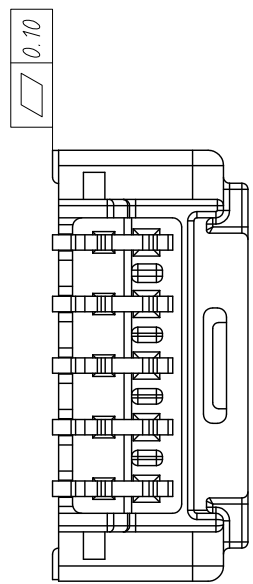




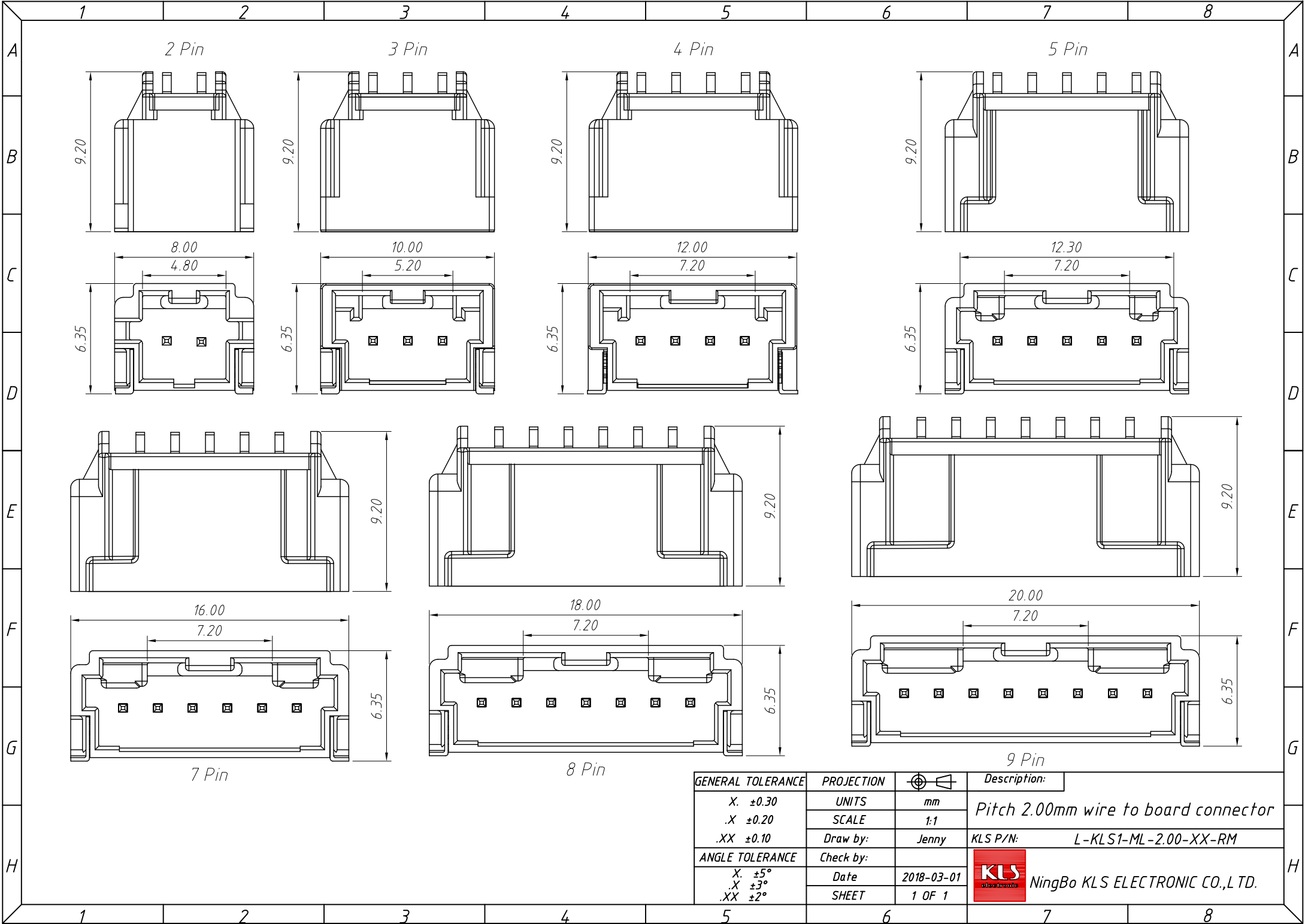
Circuit	Dimensions(mm)			
	A	B	C	D
02	8.00	2.00	6.30	4.80
03	10.00	4.00	8.30	6.80
04	12.00	6.00	10.30	8.80
05	14.00	8.00	12.30	10.80
06	16.00	10.00	14.30	12.80
07	18.00	12.00	16.30	14.80
08	20.00	14.00	18.30	16.80
09	22.00	16.00	20.30	18.80
10	24.00	18.00	22.30	20.80
11	26.00	20.00	24.30	22.80
12	28.00	22.00	26.30	24.80
13	30.00	24.00	28.30	26.80
14	32.00	26.00	30.30	28.80
15	34.00	28.00	32.30	30.80

Material:  
 Insulator:Nylon 9T,UL 94V-0  
 Pin:Brass  
 Plating: Tin plated over Nickel

Specifications:  
 Current rating:3A AC,DC  
 Voltage rating:125V AC,DC  
 Temperature range:-40°C ~ +125°C  
 Insulation resistance:1000MΩ Min  
 Withstanding Voltage:500V AC/minute  
 Contact resistance:10mΩ Max.



GENERAL TOLERANCE	PROJECTION		Description:
.X ±0.30	UNITS	mm	Pitch 2.00mm wire to board connector
.X ±0.20	SCALE	1:1	
.XX ±0.10	Draw by:	Jenny	
ANGLE TOLERANCE	Check by:		KLS P/N: L-KLS1-ML-2.00-XX-RM
.X ±5°	Date	2018-03-01	NingBo KLS ELECTRONIC CO.,L TD.
.X ±3°	SHEET	1 OF 1	
.XX ±2°			



2 Pin

3 Pin

4 Pin

5 Pin

8.00  
4.80

10.00  
5.20

12.00  
7.20

12.30  
7.20

16.00  
7.20

18.00  
7.20

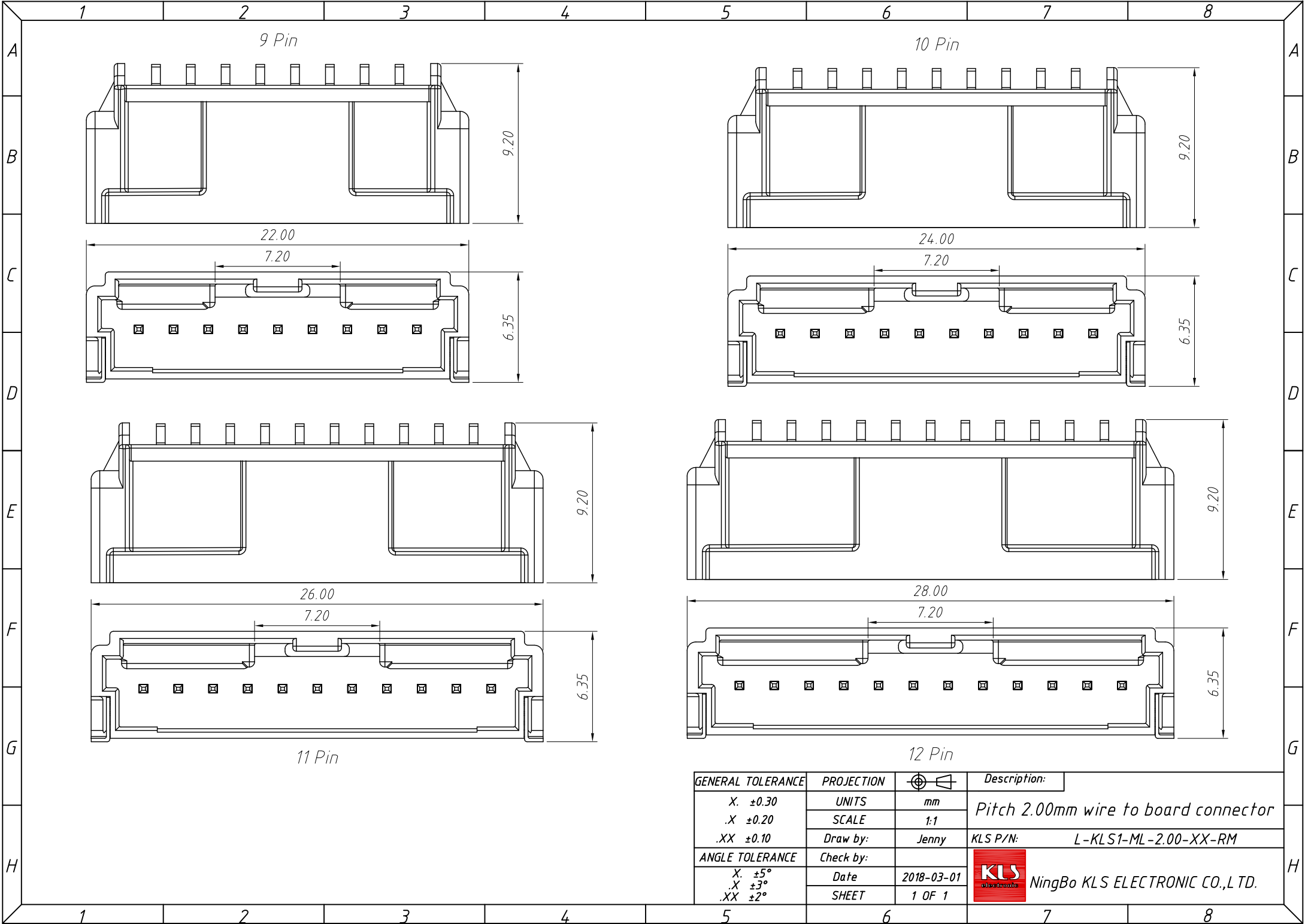
20.00  
7.20

7 Pin

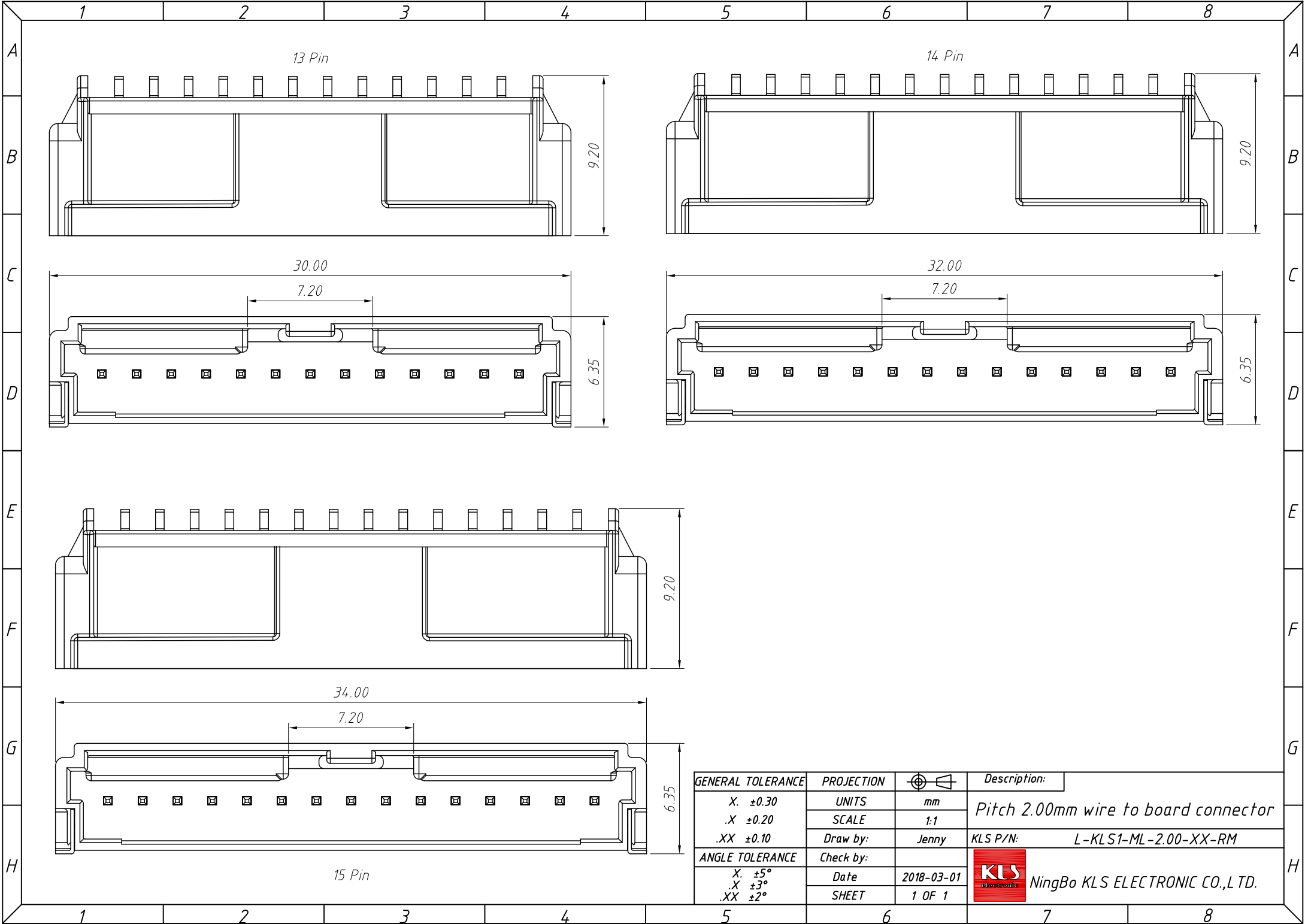
8 Pin

9 Pin

GENERAL TOLERANCE	PROJECTION		Description:
.X ±0.30	UNITS	mm	Pitch 2.00mm wire to board connector
.X ±0.20	SCALE	1:1	
.XX ±0.10	Draw by:	Jenny	KLS P/N: L-KLS1-ML-2.00-XX-RM
ANGLE TOLERANCE	Check by:		NingBo KLS ELECTRONIC CO.,L TD.
.X ±5°	Date	2018-03-01	
.X ±3°	SHEET	1 OF 1	
.XX ±2°			



GENERAL TOLERANCE	PROJECTION		Description:
.X ±0.30	UNITS	mm	Pitch 2.00mm wire to board connector
.X ±0.20	SCALE	1:1	
.XX ±0.10	Draw by:	Jenny	KLS P/N: L-KLS1-ML-2.00-XX-RM
ANGLE TOLERANCE	Check by:		NingBo KLS ELECTRONIC CO.,L TD.
.X ±5°	Date	2018-03-01	
.X ±3°	SHEET	1 OF 1	
.XX ±2°			



GENERAL TOLERANCE	PROJECTION		Description:
X. ±0.30	UNITS	mm	Pitch 2.00mm wire to board connector
.X ±0.20	SCALE	1:1	
.XX ±0.10	Draw by:	Jenny	
ANGLE TOLERANCE	Check by:		KLS P/N: L-KLS1-ML-2.00-XX-RM
X. ±5°	Date	2018-03-01	NingBo KLS ELECTRONIC CO.,L TD.
.X ±3°	SHEET	1 OF 1	
.XX ±2°			