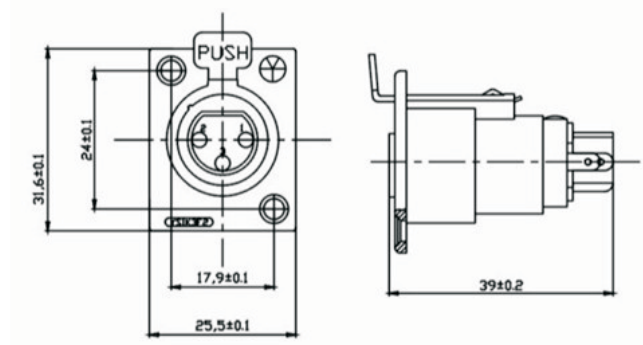
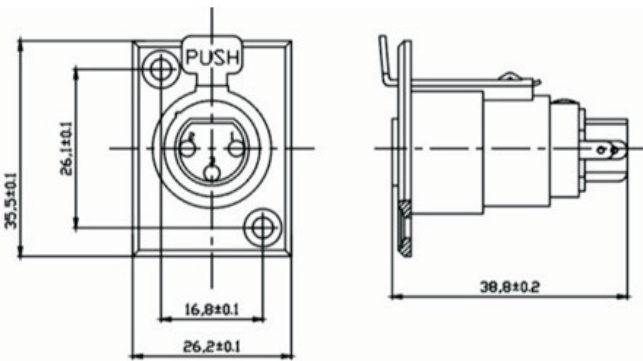


**XLR CONNECTOR SERIES**

KLS1-XLR-S07 (XLR Socket)

**Electrical Specification:**

- Contact resistance:  $\leq 0.03\Omega$
- Insulation resistance:  $\geq 100m\Omega$
- Withstand voltage: 500V AC (50Hz)/minute
- Rated load: 50V DC, 1A
- Insertion and extraction force: 4-40N
- Temperature range:  $-30^{\circ}C$  to  $+80^{\circ}C$



**ORDER INFORMATION**

Product NO.:KLS1-XLR-S07-03-F-S1

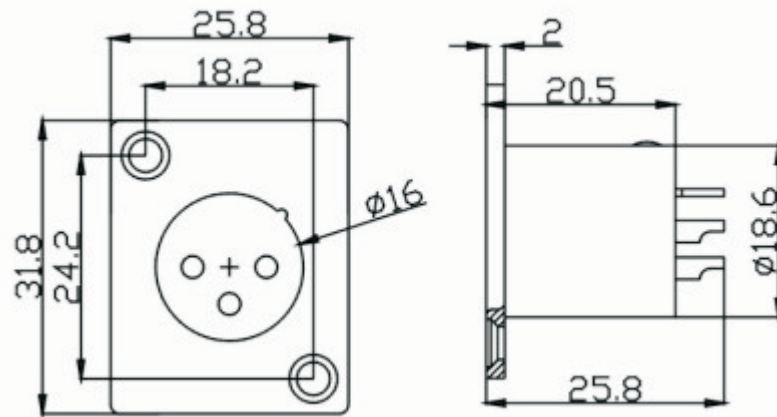
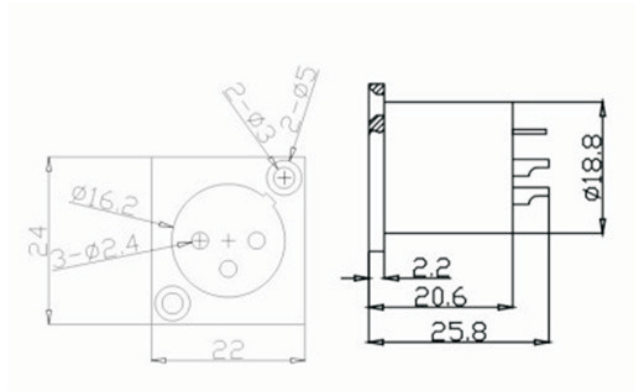
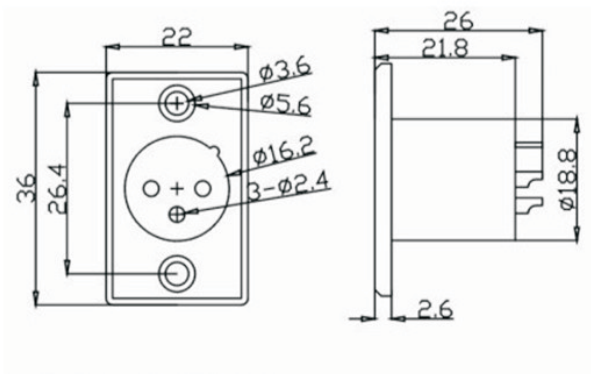


**XLR CONNECTOR SERIES**

KLS1-XLR-S07 (XLR Socket)

**Electrical Specification:**

- Contact resistance:  $\leq 0.03\Omega$
- Insulation resistance:  $\geq 100m\Omega$
- Withstand voltage: 500V AC (50Hz)/minute
- Rated load: 50V DC, 1A
- Insertion and extraction force: 4-40N
- Temperature range:  $-30^{\circ}C$  to  $+80^{\circ}C$

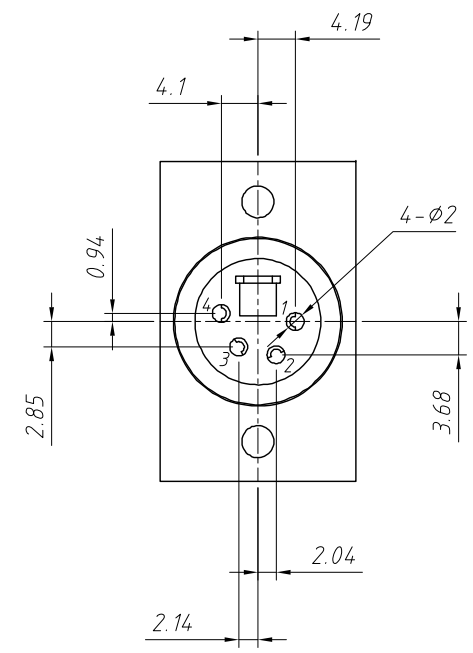
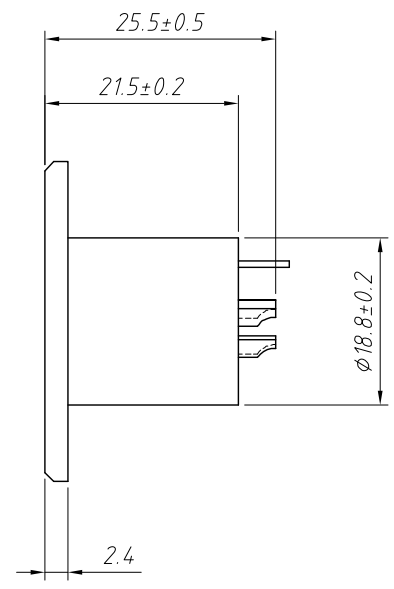
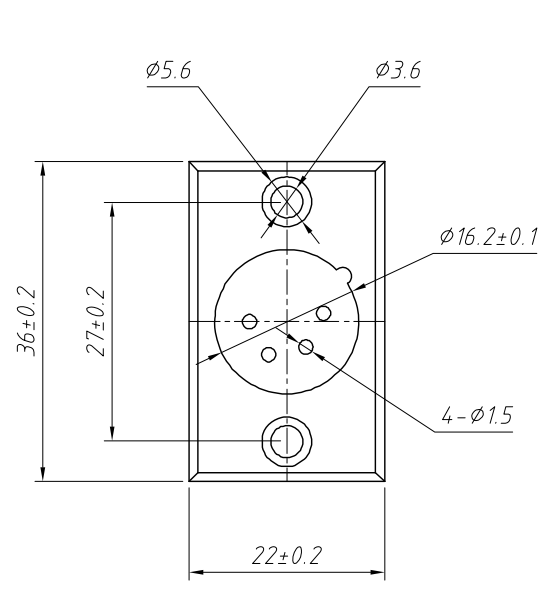
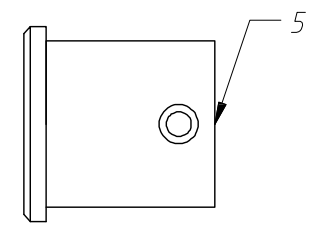
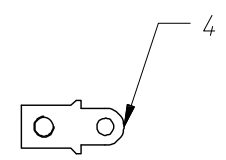
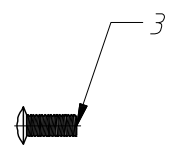
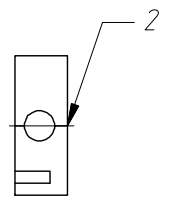
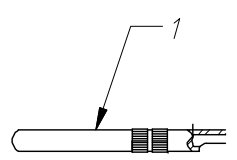


**ORDER INFORMATION**

Product NO.:KLS1-XLR-S07-03-M-S1



1  
RoHS Compliance



Material:  
 1.4 Pin:Copper,Silver-plate  
 2.4 Pin Slice:PPO  
 3.Screw:Iron, Nickel plated  
 4.Solder patch:Copper,Silver-plate  
 5.Shell:Aluminium alloy,Nickel plated

ANGLE TOLERANCE	PROJECTION	Description:	
±3°		XLR Socket Connector	
GENERAL TOLERANCE	UNITS	mm	KLS P/N:
x.x ±0.30	SHEET SIZE	A4	L-KLS1-XLR-S07-04-M-S
x.xx ±0.20	Draw:	Daniel	2020-11-11
x.xxx ±0.10	Check:	Daniel	2020-11-11



NingBo KLS ELECTRONIC CO.,L TD.