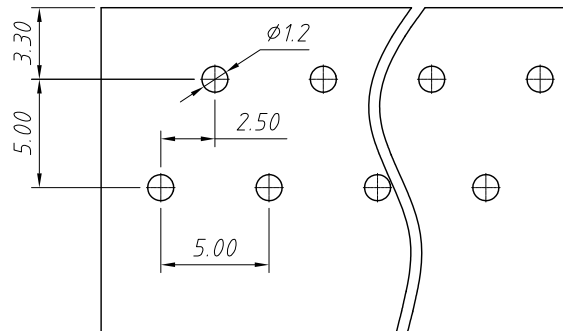


Without Cover



PCB LAYOUT

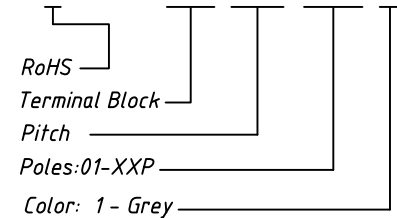
Material  
Housing: PA66, UL94V-0  
Pin header: Copper alloy, Sn plated  
Shrapnel: Stainless Steel  
Wire Range: 20~12 AWG 2.5mm<sup>2</sup>  
Stripping Length: 10~11 mm  
Poles: 01-XXP  
Pitch: 5.0mm

Electrical  
Rated voltage: 300V  
Rated current: 12A  
Contact Resistance: 20mΩ  
Insulation resistance: 500MΩ/DC500V  
Withstand voltage: AC2000V / 1 min

Mechanical  
Temp. Range: -40 °C ~ +105 °C

Order Information

L-KLS2-237-5.00-XXP-1



GENERAL TOLERANCE		ANGLE TOLERANCE		Description:	
X. ±0.60		X. ±5°		Terminal Block	
.X ±0.38		.X ±3°			
.XX ±0.25		.XX ±2°		KLS P/N:	L-KLS2-237-5.00-XXP-1
Draw by	2015-09-01	PROJECTION			NingBo KLS ELECTRONIC CO.,L TD.
Check by	2015-09-15	UNITS	mm		
SCALE		SHEET SIZE	A4		