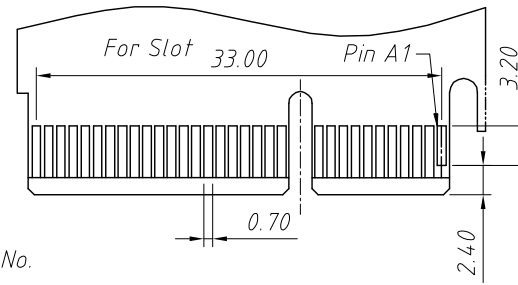
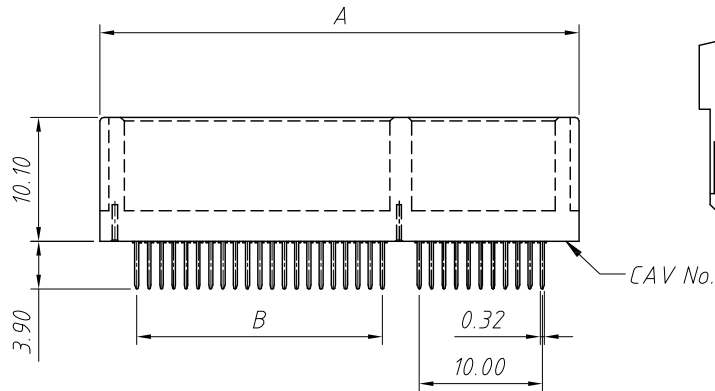
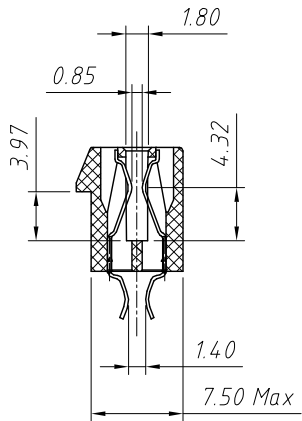
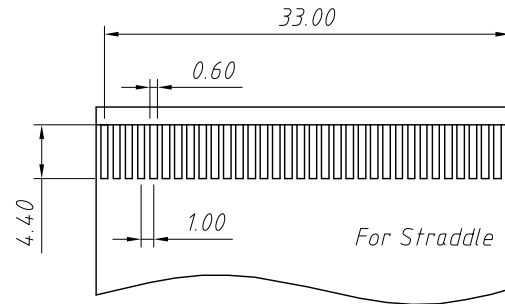
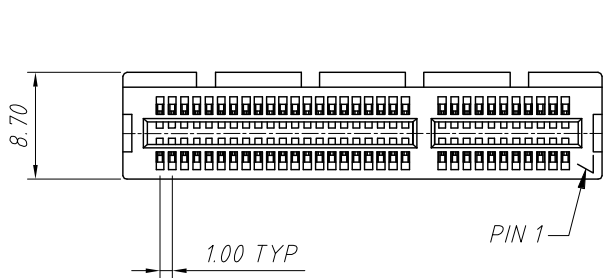


1 RoHS Compliance



Secondary (Solder) Side

Material:

Housing: PBT/PA66,UL94V-0

Contact: Brass,Plating: Gold Plating Over Nickel.

Mechanical

Insertion Forge: 1.15N Max Per Contact Pair

Withdrawal Force: 0.15N Min per contact pair

Contact Retention Force: 4.9N Min Per Contact,

Electrical Specification:

Current Rating: 1.0 AMP

Contact Resistance: 30M Ohm max

Insulator Resistance: 1000M Ohm min. at DC 500V DC

Operating Temperature: -45°C ~ +105°C

Dimension Manual

PIN	A	B	C	D
36	25.00	6.00	9.15	7.65
64	39.00	20.00	23.15	21.65
98	56.00	37.00	40.15	38.65
164	89.00	70.00	73.15	71.65

PIN	E	F	Pin G
36	6.00	8.15	B17
64	20.00	22.15	B17,B31
98	37.00	39.15	B17,B31,B48
164	70.00	72.15	B17,B31,B48,B81

Order Information:

L-KLS1-PCIE02A-XX-B-G1U-A

L: RoHS

XX-No. of 36-164 pins

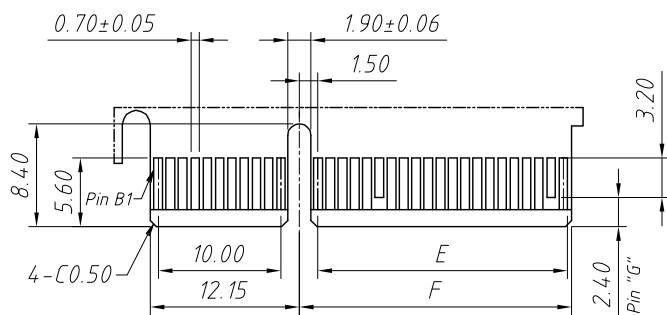
Colour: B-Black G-Green

O-Orange L-Blue W-White

Plating: G1U-Gold 1u"

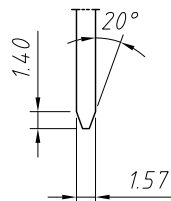
G3U-Gold 3u"

Packing: A-Tube C-Tray E-Box



PRIMARY (COMPONENT) SIDE

I/O PANEL DIRECTION



ANGLE TOLERANCE	PROJECTION	Description:
±3°		1.0mm Pitch PCIE Card Connector Splint Type
GENERAL TOLERANCE	UNITS	mm
x.x ±0.30	SHEET SIZE	A4
x.xx ±0.20	Draw:	Daniel 2020-11-11
x.xxx ±0.10	Check:	Daniel 2020-11-11



NingBo KLS ELECTRONIC CO.,L TD.