

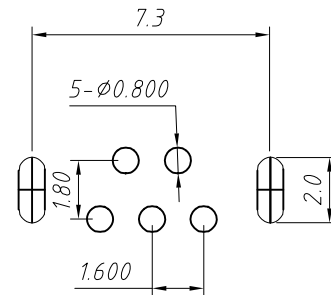
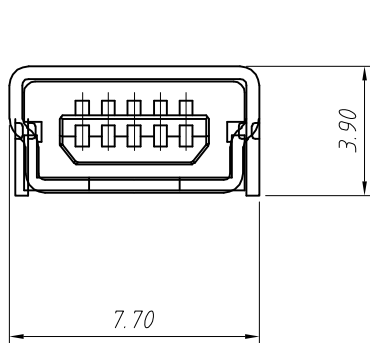
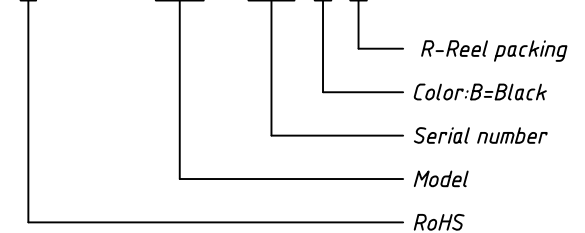
**Material**  
 Housing:Hing Temperature Thermoplastic,  
 UL94 V-0 PBT/LCP,Black/White.  
 Contact:Copper Alloy C2680.  
 Shell:Copper Alloy C2680/SPCC.

**Finish:**  
 Contact:Plated Gold In Mating Area; Tin On Solder Talls.  
 Shell:Nickel Plating.

**Electrical:**  
 Current Rating:1.5A/Contact Terminal.  
 Voltage Rating:30V DC  
 Contact Resistance:30mΩ Max.  
 Dielectric Withstanding Voltage:500 V AC AT Sea Level.  
 Insulation Resistance:1000MΩ Min.  
 Connector Mate and Unmated Force  
 Mate Force:3.75kgf Max.  
 Unmated Force:1.02kgf Min.  
 Terminal Retenion:1.2kgf Min.

**Order Information**

L-KLS1- 229 - 5FK-B-R



RECOMMENDED PCB LAYOUT

GENERAL TOLERANCE	PROJECTION		Description:
X. ±0.30	UNITS	mm	CONN MINI USB RCPT, TYPE B R/A
.X ±0.25	SCALE	1:1	
.XX ±0.20	Draw by:	Jenny	
ANGLE TOLERANCE	Check by:		KLS P/N: L-KLS1-229-5FK-B-R
X. ±3°	Date	2018-03-01	NingBo KLS ELECTRONIC CO.,L TD.
.X ±2°	SHEET	1 OF 1	
.XX ±1°			