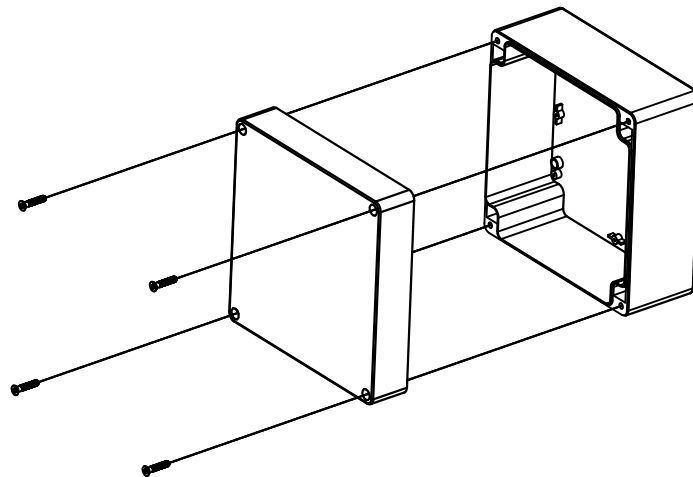
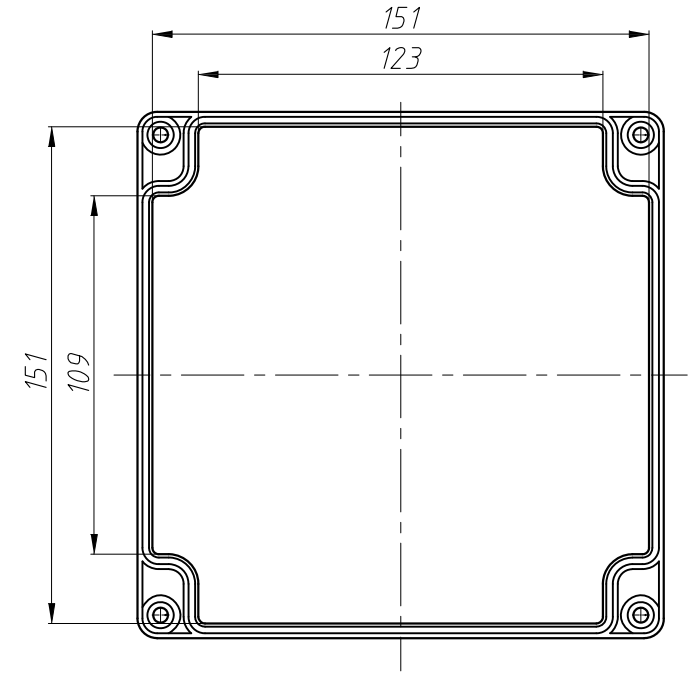


A-A



Standard accessories

Name	PCS	Material	Colour
Cover	1	PC	Transparent
Base	1	ABS	Beige
Sealing strip	1	Silicon rubber	White
Screw	4	Stainless steel	

GENERAL TOLERANCE	ANGLE TOLERANCE	PROJECTION	 mm A4 KLS P/N:
.X ±0.15	.X ±5°	UNITS	
.X ±0.03	.X ±3°	SHEET SIZE	
.XX ±0.05	.XX ±2°		
Draw by: Date	2018-03-10		
Check by: Date	2018-03-10		
SCALE	SHEET	1	OF 1

Waterproof Enclosure
160x160x90mm
L-KLS24-PWP128t



NingBo KLS ELECTRONIC CO.,L TD.