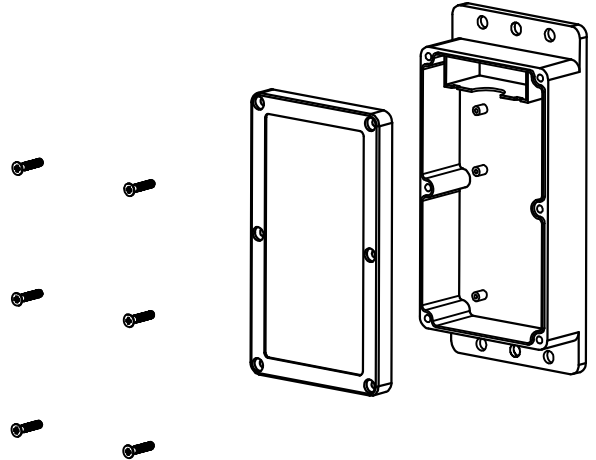


A-A



Standard accessories

Name	PCS	Material	Colour
Cover	1	PC	Transparent
Base	1	ABS	Beige
Sealing strip	1	Silicon rubber	Beige
Screw	6	Stainless steel	Metal color

GENERAL TOLERANCE	ANGLE TOLERANCE	PROJECTION	 mm A4 KLS P/N:	IP65 Plastic Waterproof Box Size: 158x90x46mm L-KLS24-PWM135T
.X ±0.15	.X ±5°	UNITS		
.X ±0.03	.X ±3°	SHEET SIZE		
.XX ±0.05	.XX ±2°			
Draw by: Date	2018-03-10		 NingBo KLS ELECTRONIC CO.,L TD.	
Check by: Date	2018-03-10			
SCALE	SHEET	1 OF 1		