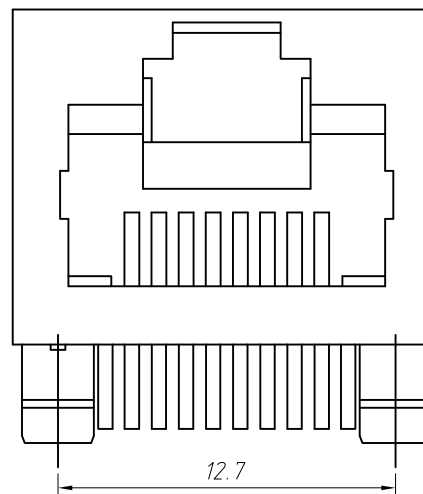
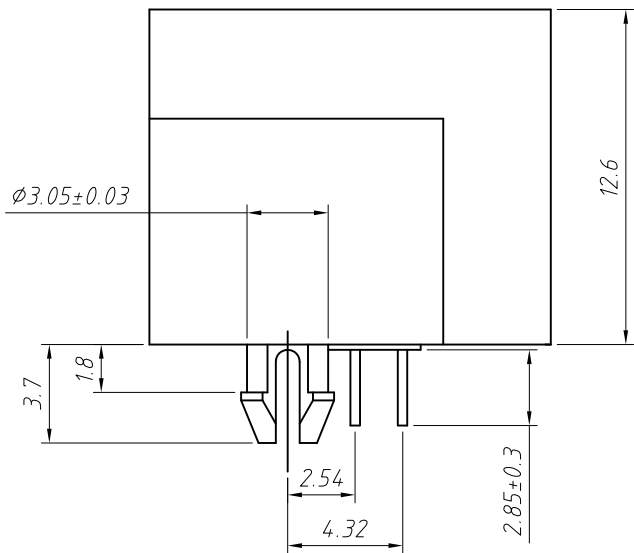
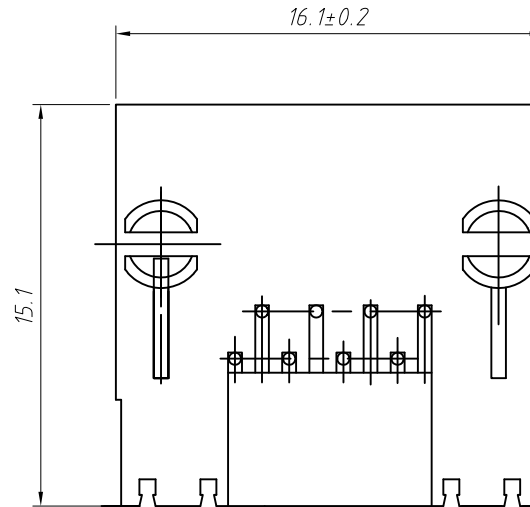


PC Board Layout



**Material:**  
**Housing:** PBT+Glass Filled Polyester  
**Flammability Rating:** UL94V-0  
**Contacts:** Phosphor Bronze  $\phi 0.46\text{mm}$   
**Plating:** Gold Plating

**Electrical:**  
**Voltage Rating:** 125VAC  
**Current Rating:** 1.5A  
**Contact Resistance:**  $30\text{m}\Omega$  Max.  
**Insulation Resistance:**  $500\text{M}\Omega$  Min.  
**Dielectric Strength:** 1000VAC Rms 50Hz, 1 Min.  
**Durability:** 600 cycles Min.  
**Operation Temperature:**  $-40^{\circ}\text{C} \sim +70^{\circ}\text{C}$

**Order Information**

L-KLS12-140-8P8C - W/O -1 - XX

RoHS  
 Contacts: 8P8C  
 Color Code:  
 1-Black

**Plating Code:**  
 01-Fu" Gold Plating  
 02-3u" Gold Plating  
 03-6u" Gold Plating  
 04-15u" Gold Plating  
 05-30u" Gold Plating

GENERAL TOLERANCE	PROJECTION		Description:
X. $\pm 0.30$	UNITS	mm	RJ45-8P8C Modular jacks
.X $\pm 0.25$	SCALE	1:1	
.XX $\pm 0.20$	Draw by:	Jenny	KLS P/N: L-KLS12-140-8P8C-W/O-1-XX
ANGLE TOLERANCE	Check by:	Daniel	NingBo KLS ELECTRONIC CO.,LTD.
X. $\pm 3^{\circ}$	Date	2018-03-01	
.X $\pm 2^{\circ}$	SHEET	1 OF 1	
.XX $\pm 1^{\circ}$			