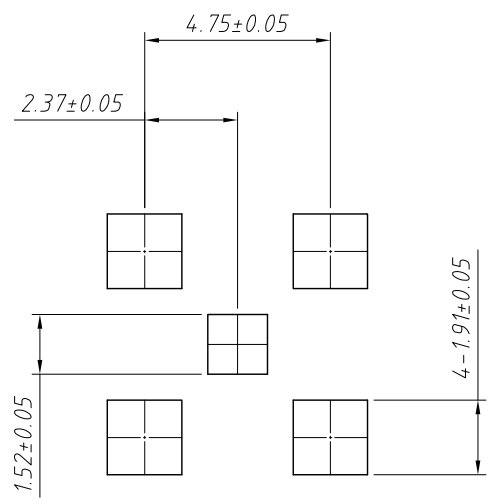
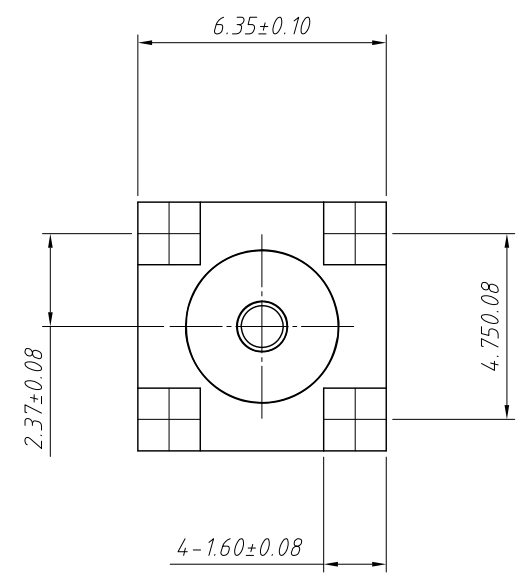
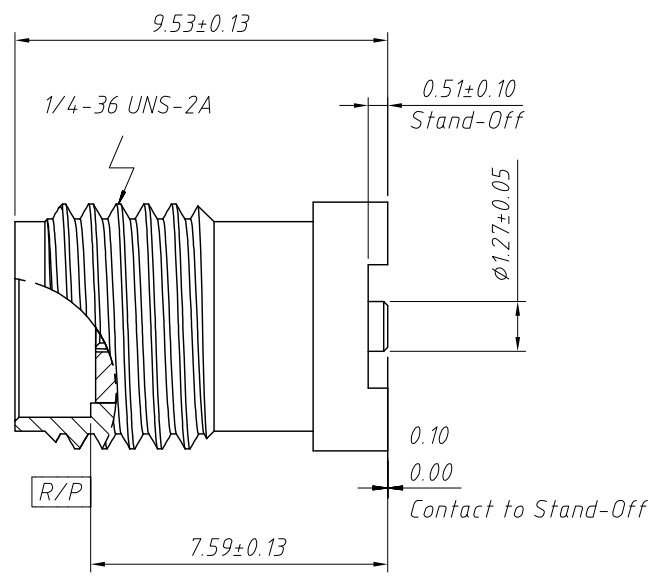


1
RoHS Compliance

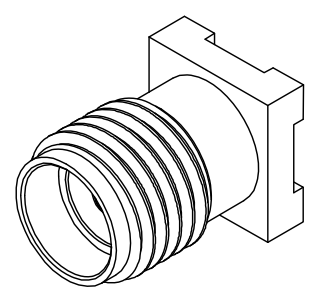


Recommended P.C.B Layout



Material
 Body: Brass, Plating Gold
 Center Contact: Beryllium Copper, Plating Gold
 Dielectric: Polytetrafluoroethylene (PTFE)

Electrical:
 Impedance: 50Ω
 Durability: 500 Cycles Min.
 Voltage Rating :500V
 Operating Temperature: -65°C ~ 165°C



Order Information:
 L-KLS1-SMA037-X
 L: RoHS
 SMA Connector
 Packing:
 B-Bulk R-Tape Reel

ANGLE TOLERANCE	PROJECTION	Description:	
±3°		Surface Mount SMA Connector (Jack, Male, 50Ω)	
GENERAL TOLERANCE	UNITS	mm	KLS P/N: L-KLS1-SMA037-X
x.x ±0.30	SHEET SIZE	A4	NingBo KLS ELECTRONIC CO.,L TD.
x.xx ±0.20	Draw:	Daniel	
x.xxx ±0.10	Check:	Daniel	