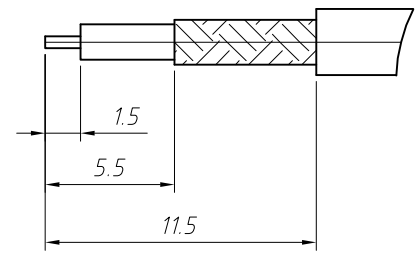
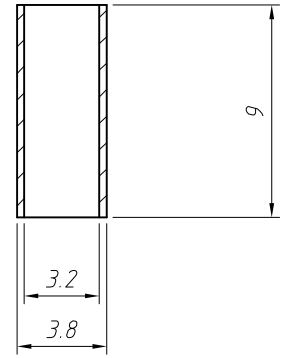
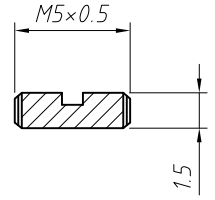
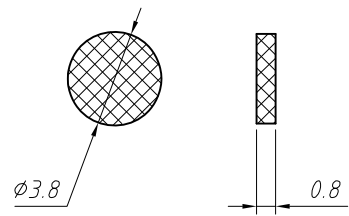
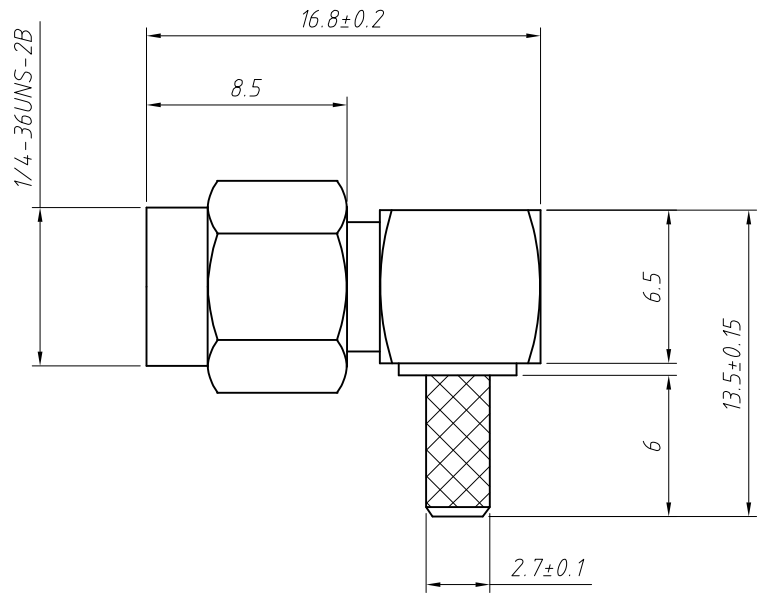


1  
RoHS Compliance



Specifications:  
 Impedance: 50Ω  
 Frequency Range: 1-3GHz, VSWR : 1.2 Max  
 Material: Brass  
 Surface: Gold Plating, Salt spray for 48 hours  
 Durability: 500 Cycles Min

ANGLE TOLERANCE	PROJECTION	Description:	SMA Cable Connector Right Angle (Plug, Male, 50Ω) RG-316, RG-174, RG-179	
±3°				
GENERAL TOLERANCE	UNITS	mm	KLS P/N:	L-KLS1-SMA019
x.x ±0.30	SHEET SIZE	A4		
x.xx ±0.20	Draw:	Daniel	2018-07-10	NingBo KLS ELECTRONIC CO.,L TD.
x.xxx ±0.10	Check:	Daniel	2018-07-10	