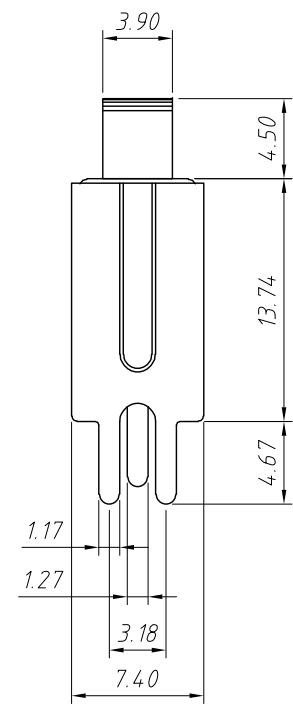
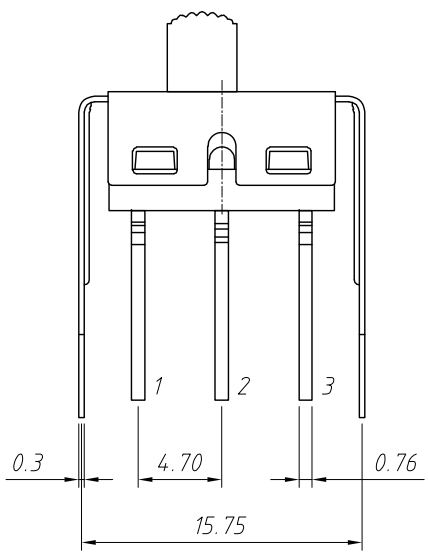
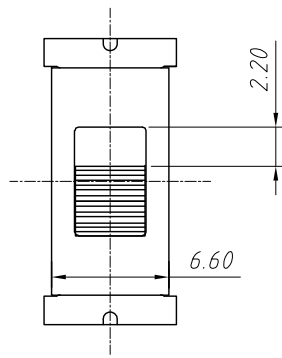


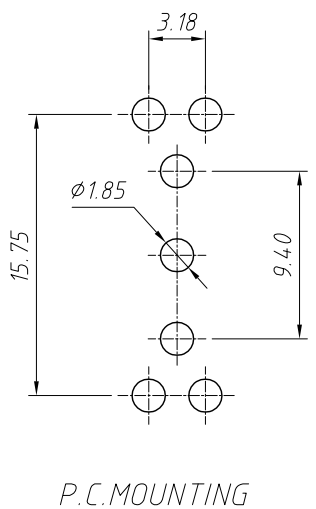
1
RoHS Compliance



Material:
 Base:DAP,UL94-V0
 Terminals & Contact:Copper
 Shell:Stainless steel
 Actuator:PA66

Electrical:
 Contact resistance:10mΩ Max.
 Insulation resistance:1000MΩ Min
 Dielectric Withstand:No
 Discharge,Flashoveror Breakdown At
 1500VAC 1 Minute
 Mechanical Life:30000 Cycles
 Operation temperature:-30 °C to +85°C

Model No.	Switching Position		
SS01-12E06A	on	none	on
SS01-12E06	(on)	none	on
SS01-12E06B	on	off	on
term comm.	2-3	open	2-1
Schematic			



Actuator color	
1	White
2	Black
9	Gray

Contact Material	
Q	silver plated
R	gold plated
G	gold over silver

ANGLE TOLERANCE	PROJECTION	Description:
±3°		Slide switches
GENERAL TOLERANCE	UNITS	mm
x.x ±0.30	SHEET SIZE	A4
x.xx ±0.20	Draw:	Daniel 2020-11-11
x.xxx ±0.10	Check:	Daniel 2020-11-11

KLS NingBo KLS ELECTRONIC CO.,L TD.

L-KLS7-SS01-12E06A-G-4.7