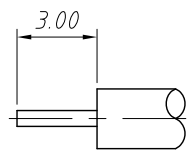
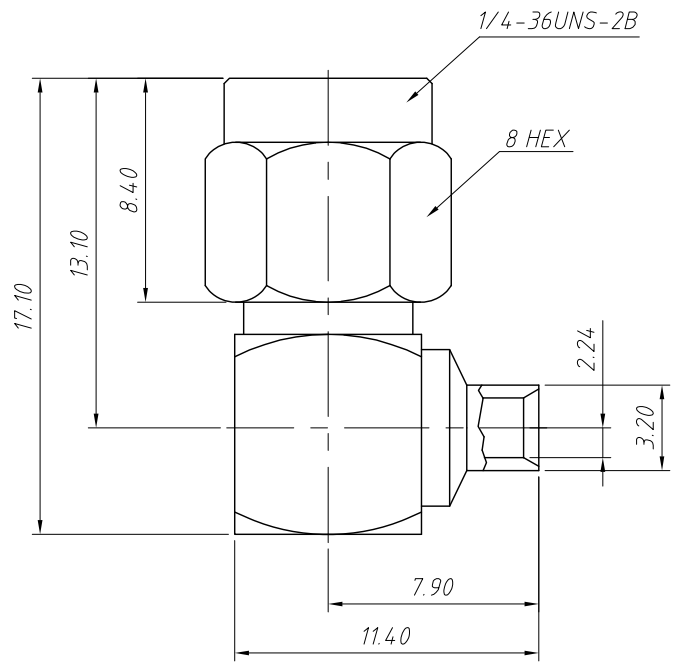
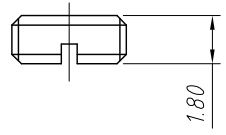


1
RoHS Compliance



Recommended Cable Stripping Dim'S



Material:
 Shell:Brass,Gold Plating
 Body:Brass,Gold Plating
 Insulator:Teflon,Natural,
 Contact Pin:Brass,Gold Plating
 Retainer Ping:Ber.Copper,Natural
 Gasket:Silicone,Red
 Cover:Brass,Gold Plating

Electrical:
 Impedance:50Ω

Mechanical:
 Durability:500 Cycles Min.
 Temperature Range:-65°C to +165°C

ANGLE TOLERANCE	PROJECTION	Description:	SMA Cable Connector Right Angle (Plug, Male, 50Ω)	
±3°				
GENERAL TOLERANCE	UNITS	mm	KLS P/N:	L-KLS1-SMA018
x.x ±0.30	SHEET SIZE	A4		
x.xx ±0.20	Draw:	Daniel	2020-11-11	NingBo KLS ELECTRONIC CO.,L TD.
x.xxx ±0.10	Check:	Daniel	2020-11-11	