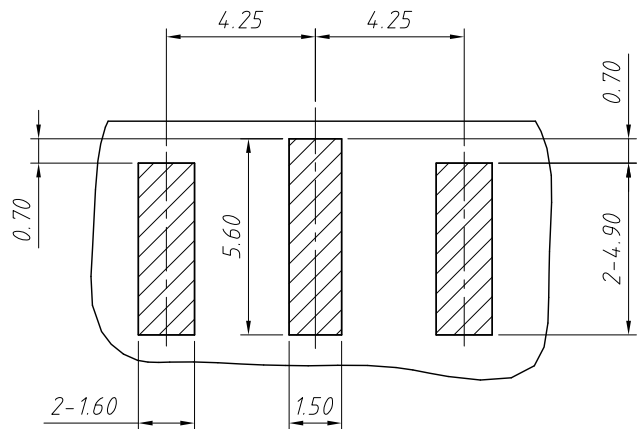
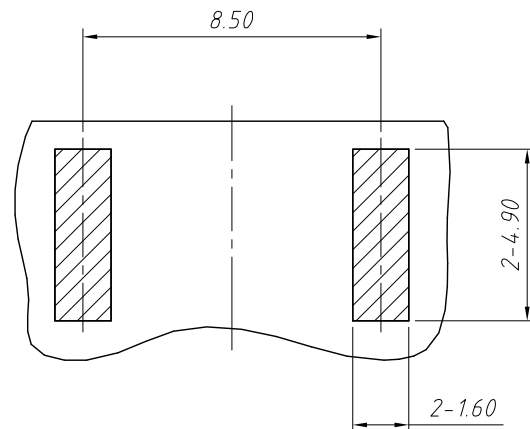


1 RoHS Compliance

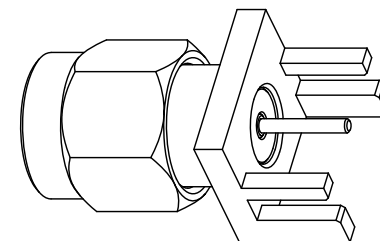


TOP VIEW

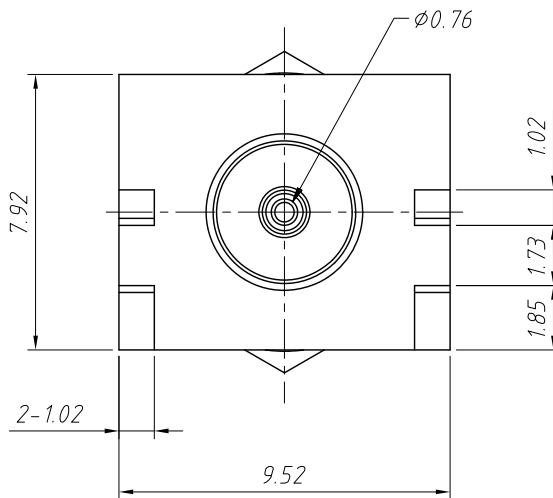
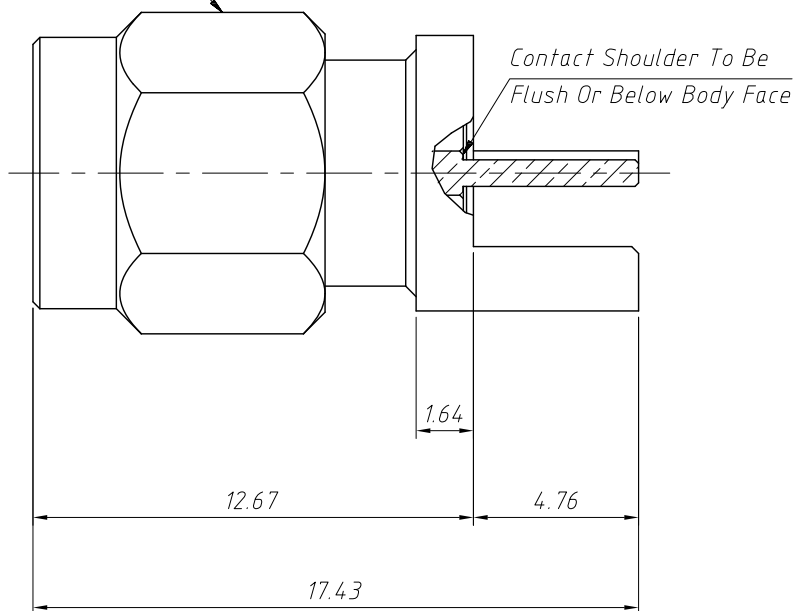


RECOMMENDED PCB LAYOUT

BOTTOM VIEW



8 HEX



Material:

Body:Brass,Gold Plating

Insulator:PTFE,Natural

Contact Pin:Brass,Gold Plating

Shell:Brass,Gold Plating

Gasket:Silicone Rubber,Red

Retainer Ping:Stainless Steel,Natural

Electrical:

Impedance:50Ω

Frequency Range:DC 0-18 GHz

Dielectric Withstanding Voltage:1000 VRMS Min.

Durability:500Cycles Min

Temperature Range:- 65°C to +165°C

Board Thickness=1.57mm

Contact Pin Must Withstand 6 Lbs Min.

Axial In Both Directions And 4 In -OZ Min.Radial Force.

ANGLE TOLERANCE	PROJECTION	Description:	SMA PCB End Launch Pl 50Ω 0.062 (Plug, Male) L17.2mm
±3°			
GENERAL TOLERANCE	UNITS	mm	KLS P/N: L-KLS1-SMA021
x.x ±0.30	SHEET SIZE	A4	
x.xx ±0.20	Draw:	Daniel	2020-11-11
x.xxx ±0.10	Check:	Daniel	2020-11-11



NingBo KLS ELECTRONIC CO.,L TD.