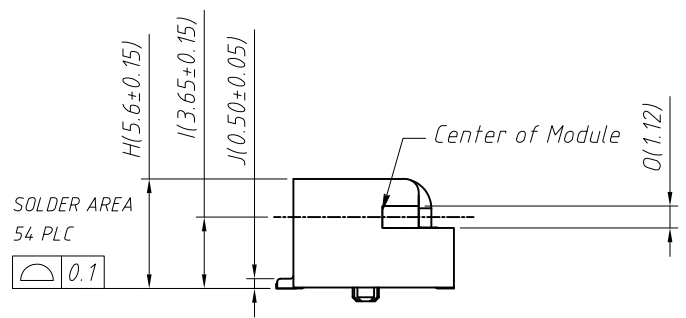
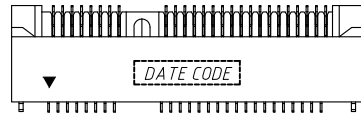


Material
 Housing: Thermoplastic, High temp, UL 94V-0, Black.
 Contacts: Copper Alloy.
 Peps: Copper Alloy.
 Finish:
 Contacts: Selected Gold Plating on the contact area, 1u" Min.
 Gold Plating on the soldertails, 50u" Min. Nickel Under Plating over all.
 Peps: 120u" Min. Matte-Tin over 50u" Min, Nickel.

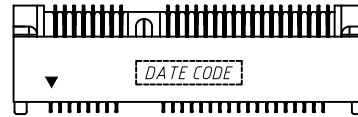
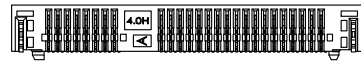


Order Information
 L-KLS1-PCI06-52P-H4.0-G3U
 Hight(Size H):
 H2.0=2.0mm H3.0=3.0mm
 H4.0=4.00mm H5.2=5.20mm
 H5.6=5.60mm H6.8=6.80mm H7.0=7.00mm
 H8.0=8.00mm H9.0=9.00mm H9.9=9.90mm
 Plating: 1u" Gold 30u" Gold
 G1U-Gold 1u" G3U-Gold 3u" G30U-Gold 30u"
 RoHS

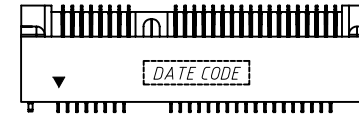
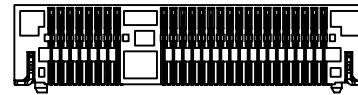
GENERAL TOLERANCE		ANGLE TOLERANCE		PROJECTION	Description:
X	±0.15	X	±5°	UNITS	Mini PCIe Card Connectors
.X	±0.03	.X	±3°	SHEET SIZE	
.XX	±0.05	.XX	±2°	KLS P/N:	
Draw by:	Jenny	Date:	2018-11-01	 NingBo KLS ELECTRONIC CO.,LTD.	
Check by:		Date:			
SCALE		SHEET	1 OF 1		



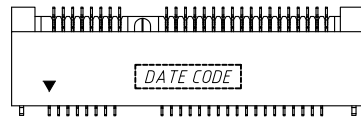
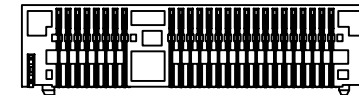
H40



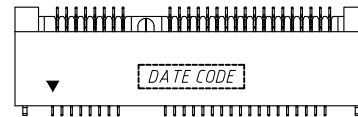
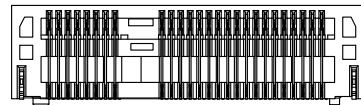
H68



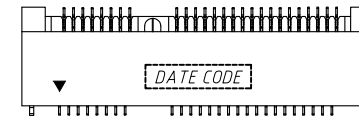
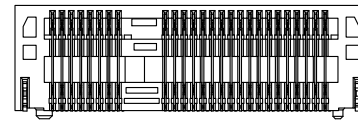
H70



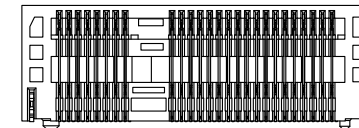
H80



H90



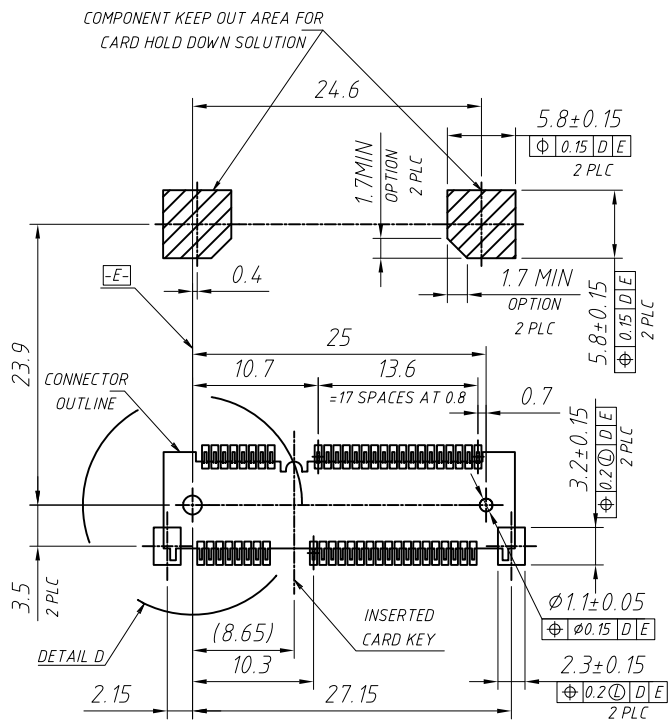
H99



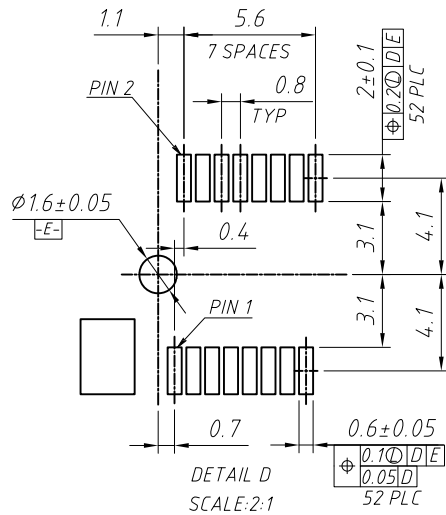
Ordering Information&Dimensions

Height (H)	Dimensions(mm)															
	A	B	C	D	E	I	J	L	N	O	Q	R	S	T	U	
5.60	5.56	29.90	25.90	28.30	8.20	3.65	0.50	0.82	0.70	1.12	27.22	6.50	4.70	1.85	17.05	
4.00	5.55	29.90	25.90	28.30	8.40	2.05	0.50	0.82	0.70	1.12	25.62	4.90	2.50	0.25	15.45	
6.80	5.56	29.90	25.90	28.73	8.20	4.85	0.35	1.05	0.70	1.12	28.42	7.70	5.30	3.05	18.25	
7.00	5.56	29.90	25.90	28.30	8.20	5.05	0.50	0.82	0.70	1.12	28.62	7.90	5.50	3.25	18.45	
8.00	6.30	30.00	26.00	28.30	8.40	6.05	0.50	0.82	0.70	1.16	29.67	8.90	6.50	4.25	19.45	
9.00	6.30	30.00	26.00	28.30	8.40	7.05	0.50	0.82	0.70	1.16	30.62	9.90	7.50	5.25	20.45	
9.90	6.45	30.00	26.00	28.30	8.40	7.95	0.50	0.82	0.65	1.16	31.57	10.80	8.40	6.15	21.35	

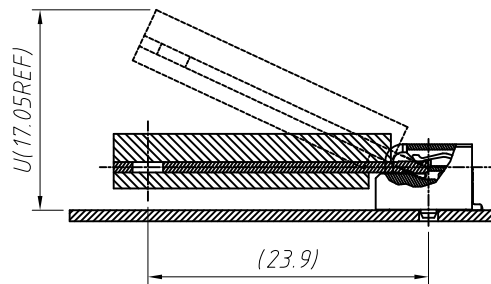
GENERAL TOLERANCE		ANGLE TOLERANCE		PROJECTION		Description:
X	±0.15	X	±5°	UNITS	mm	Mini PCIe Card Connectors
X	±0.03	X	±3°	SHEET SIZE	A4	
XX	±0.05	XX	±2°		KLS P/N:	
Draw by:	Jenny	Date:	2018-11-01	NingBo KLS ELECTRONIC CO.,LTD.		
Check by:		Date:				
SCALE		SHEET	1 OF 1			



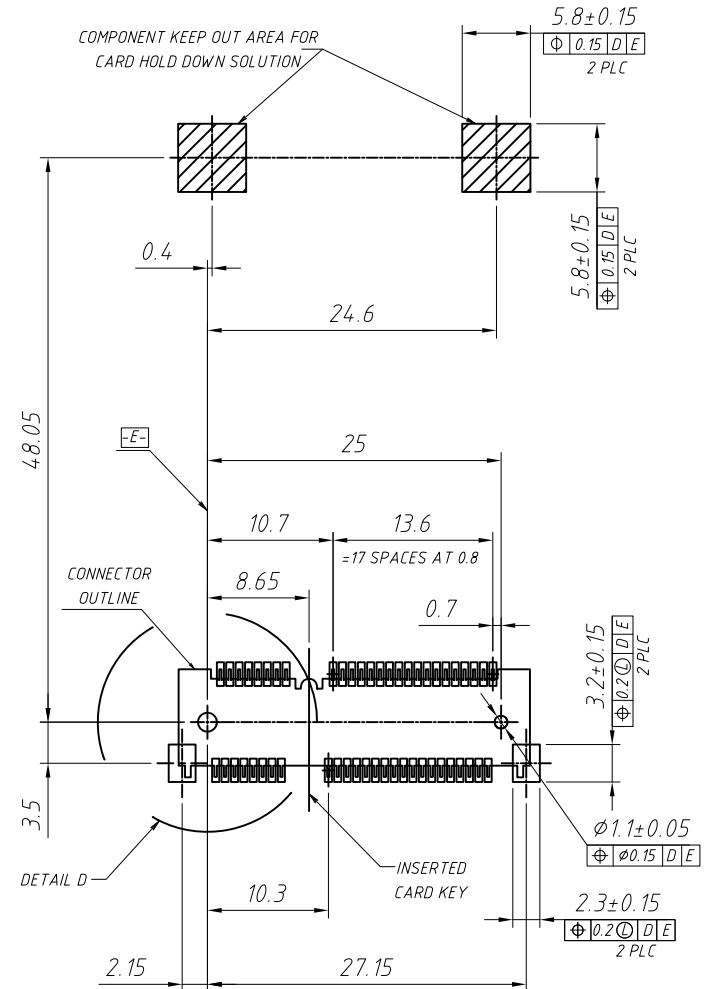
\square -D- IS THE TOP SURFACE OF PCB
RECOMMENDED PCB BOARD PATTERN LAYOUT
FOR HALF CARE CONNECTOR
TOP VIEW



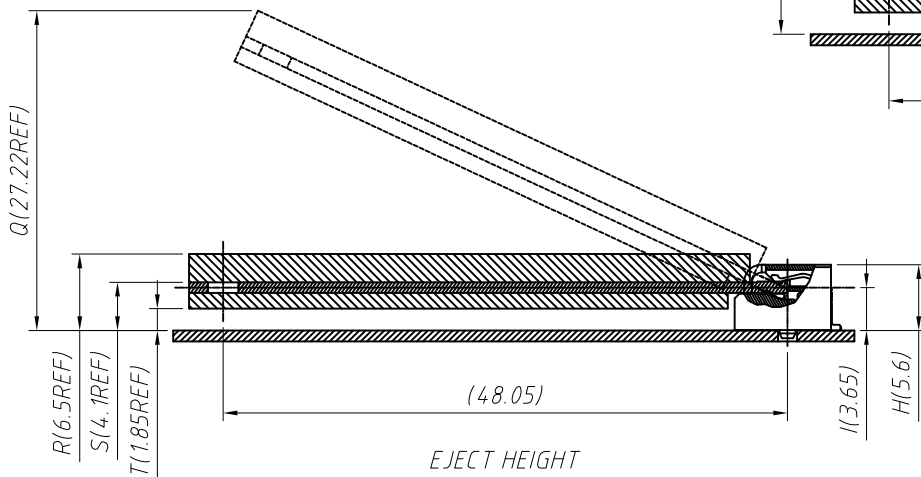
DETAIL D
SCALE:2:1



EJECT HEIGHT
FOR HALF CARD

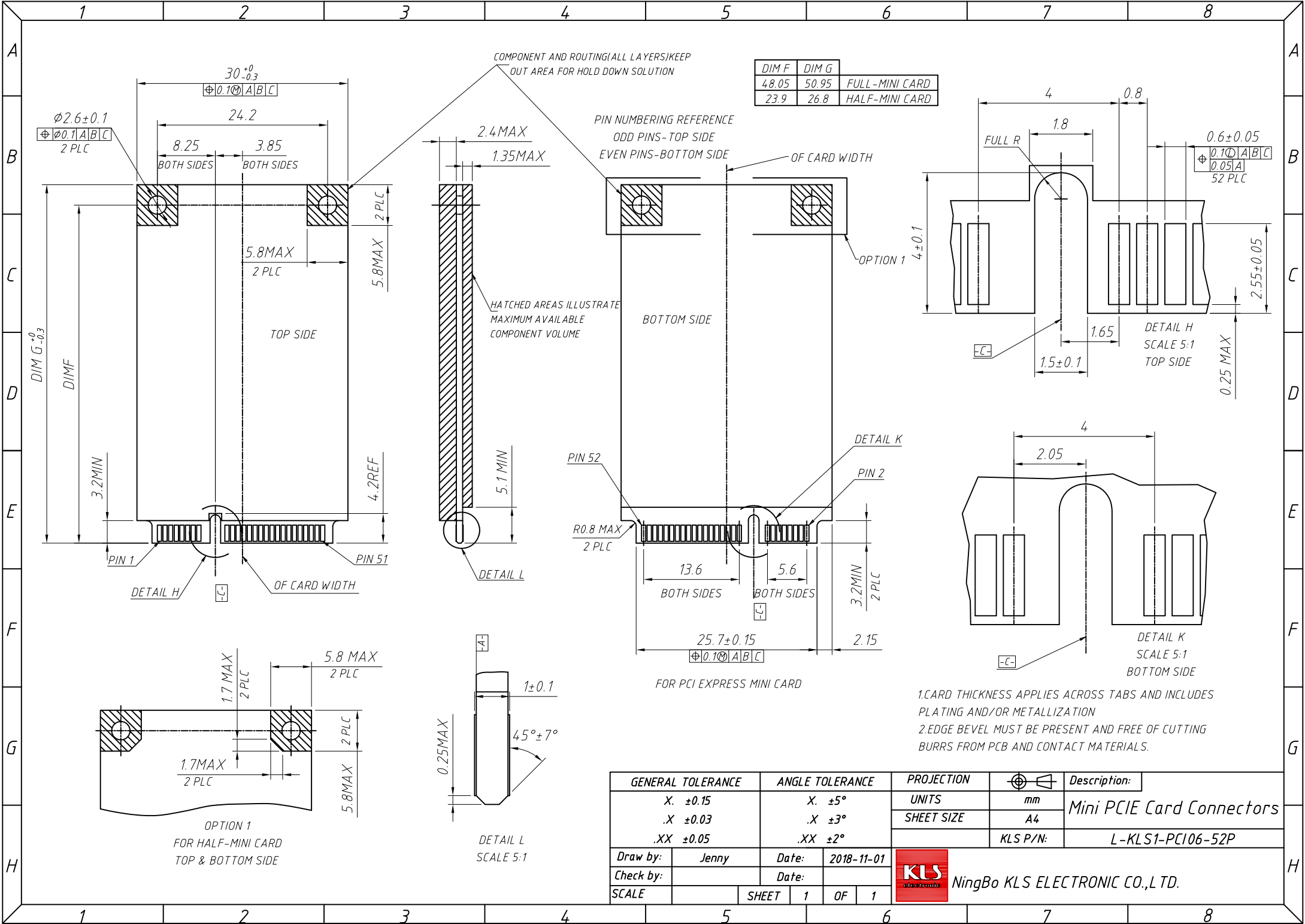


\square -D- IS THE TOP SURFACE OF PCB
RECOMMENDED PCB BOARD PATTERN LAYOUT
FOR FULL CARE CONNECTOR
TOP VIEW



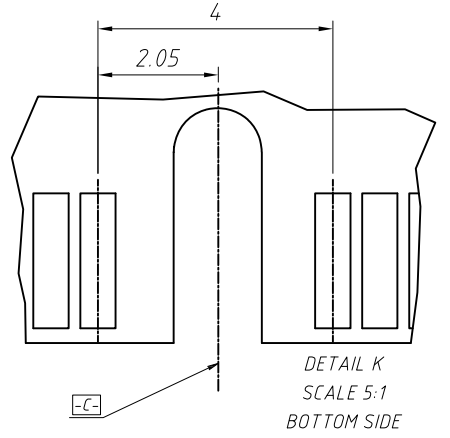
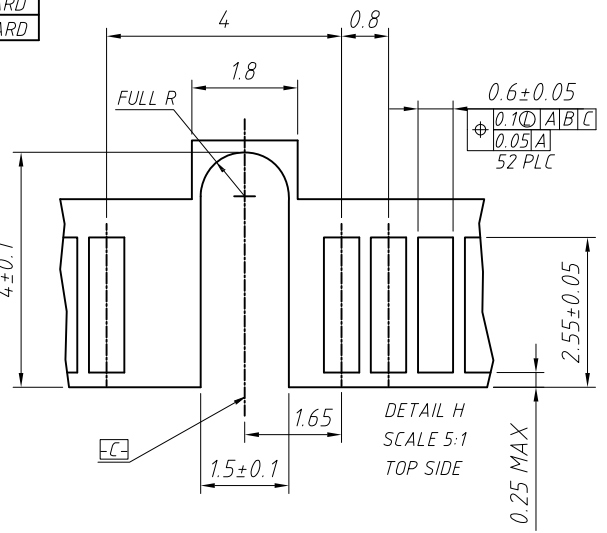
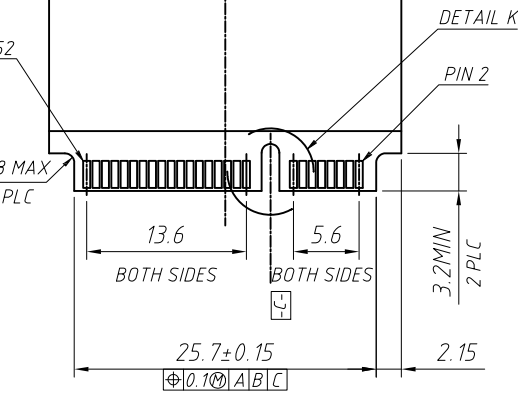
EJECT HEIGHT
FOR FULL CARD

GENERAL TOLERANCE		ANGLE TOLERANCE		PROJECTION		Description:
X	±0.15	X	±5°	UNITS	mm	Mini PCIE Card Connectors
X	±0.03	X	±3°	SHEET SIZE	A4	
XX	±0.05	XX	±2°		KLS P/N:	L-KLS1-PCI06-52P
Draw by:	Jenny	Date:	2018-11-01	NingBo KLS ELECTRONIC CO.,L TD.		
Check by:		Date:				
SCALE		SHEET	1 OF 1			



DIM F	DIM G	
48.05	50.95	FULL-MINI CARD
23.9	26.8	HALF-MINI CARD

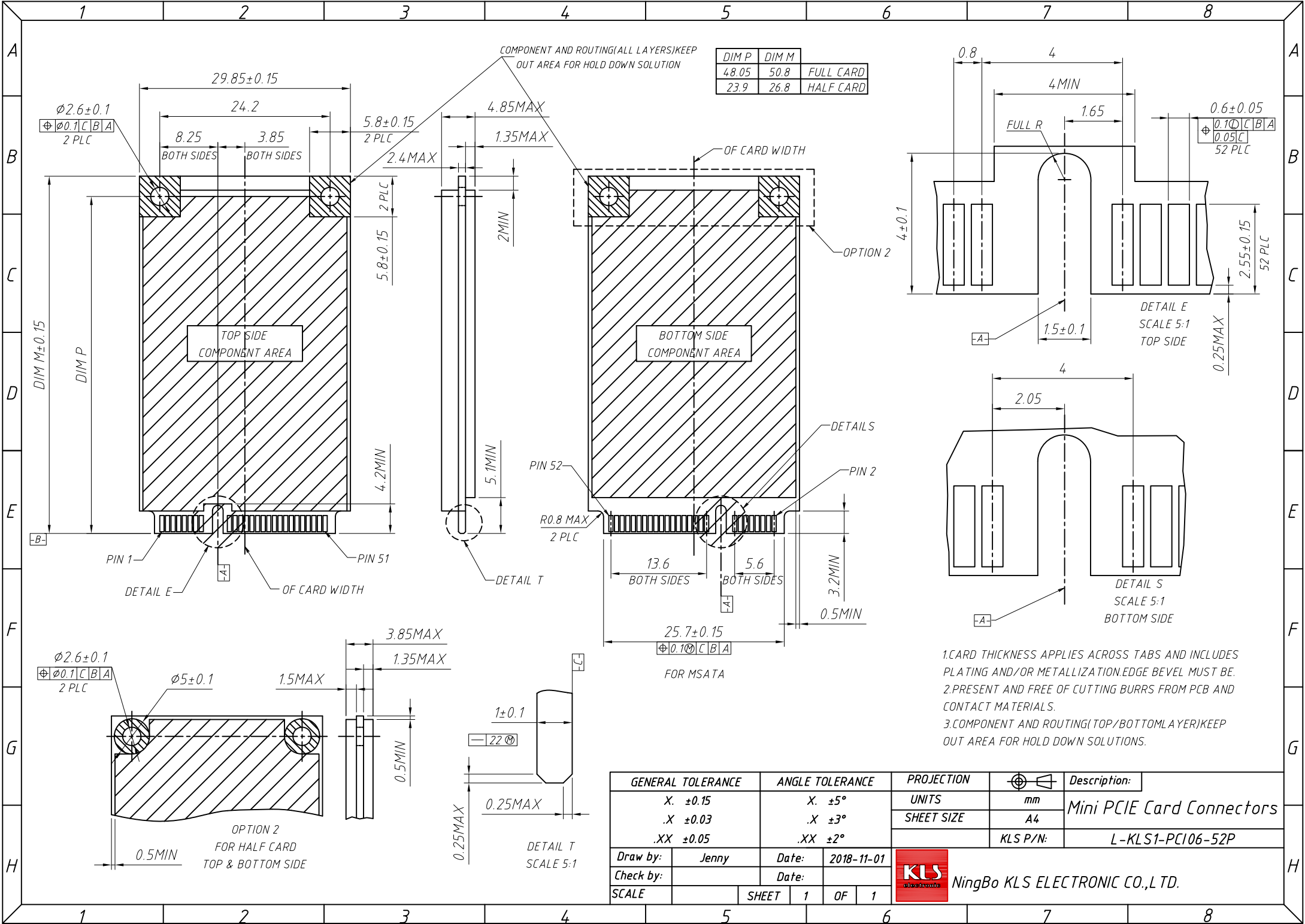
PIN NUMBERING REFERENCE
 ODD PINS-TOP SIDE
 EVEN PINS-BOTTOM SIDE




1. CARD THICKNESS APPLIES ACROSS TABS AND INCLUDES PLATING AND/OR METALLIZATION
 2. EDGE BEVEL MUST BE PRESENT AND FREE OF CUTTING BURRS FROM PCB AND CONTACT MATERIALS.

GENERAL TOLERANCE		ANGLE TOLERANCE		PROJECTION	Description:
X	±0.15	X	±5°	UNITS	Mini PCIe Card Connectors
X	±0.03	X	±3°	SHEET SIZE	
XX	±0.05	XX	±2°	KLS P/N:	
Draw by: Jenny		Date: 2018-11-01		L-KLS1-PCI06-52P	
Check by:		Date:			
SCALE		SHEET 1 OF 1			

KLS NingBo KLS ELECTRONIC CO.,LTD.



GENERAL TOLERANCE		ANGLE TOLERANCE		PROJECTION	Description:
X	±0.15	X	±5°	UNITS	mm
X	±0.03	X	±3°	SHEET SIZE	A4
XX	±0.05	XX	±2°	KLS P/N:	L-KLS1-PCI06-52P
Draw by:	Jenny	Date:	2018-11-01	 NingBo KLS ELECTRONIC CO.,L TD.	
Check by:		Date:			
SCALE		SHEET	1 OF 1		