

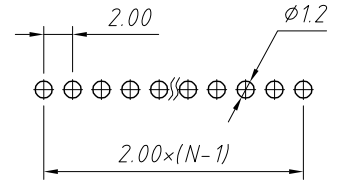
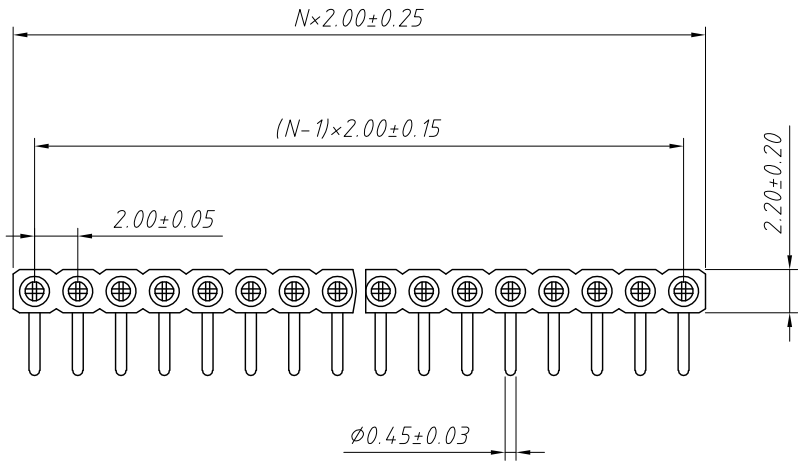
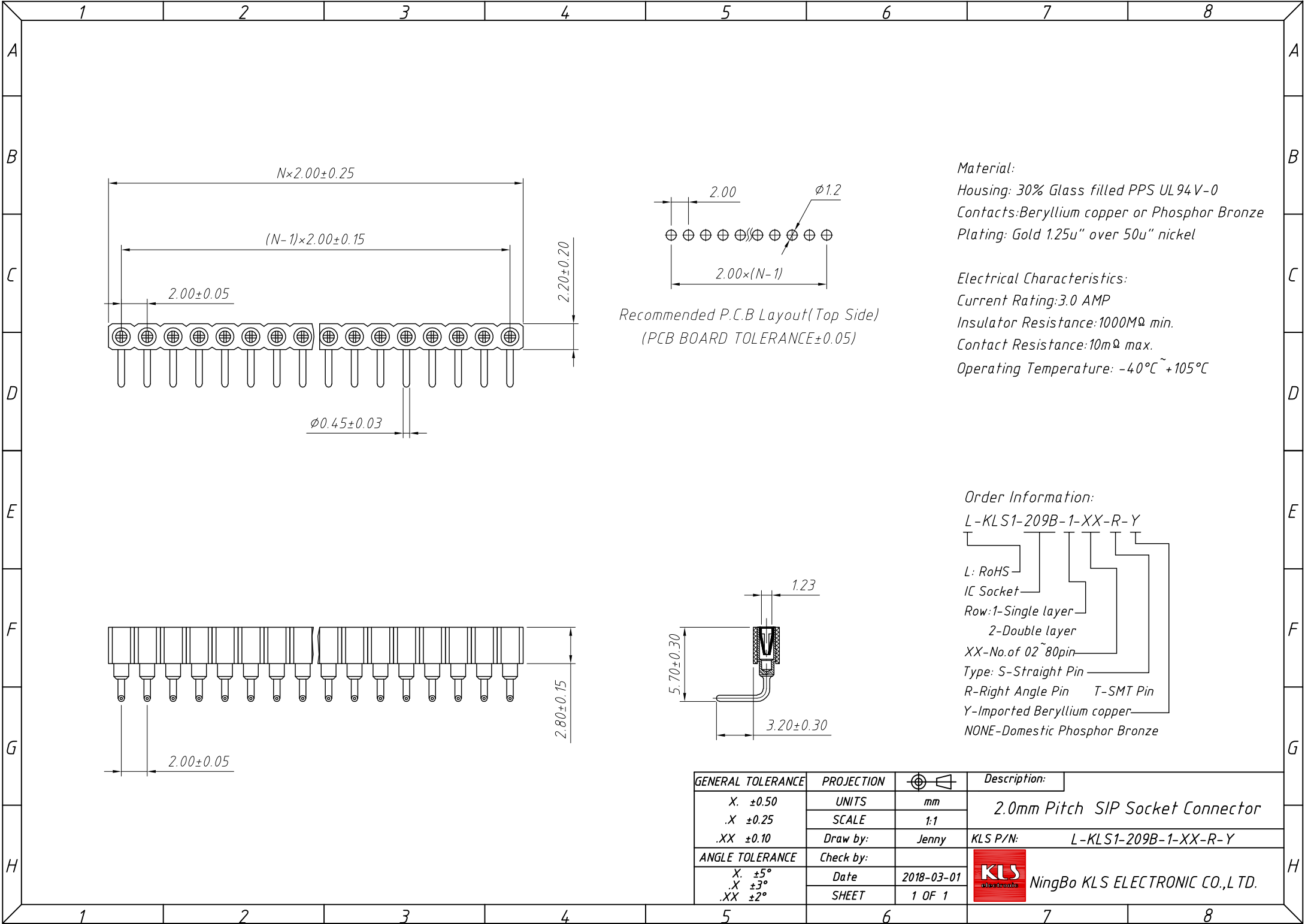
Material:  
 Housing: 30% Glass filled PPS UL94V-0  
 Contacts: Beryllium copper or Phosphor Bronze  
 Plating: Gold 1.25u" over 50u" nickel

Electrical Characteristics:  
 Current Rating: 3.0 AMP  
 Insulator Resistance: 1000MΩ min.  
 Contact Resistance: 10mΩ max.  
 Operating Temperature: -40°C ~ +105°C

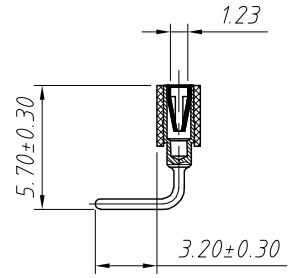
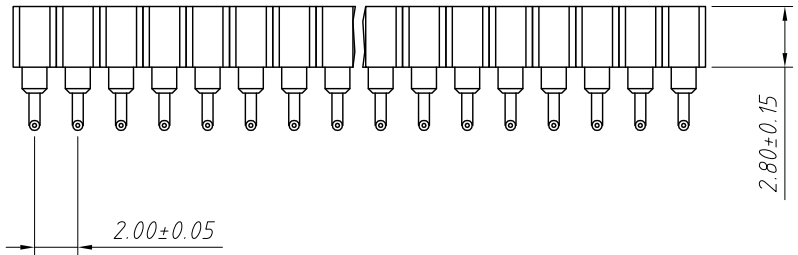
Order Information:  
 L-KLS1-209B-1-XX-S-Y

- L: RoHS
- IC Socket
- Row: 1-Single layer
- 2-Double layer
- XX-No. of 02 ~ 80pin
- Type: S-Straight Pin
- R-Right Angle Pin
- T-SMT Pin
- Y-Imported Beryllium copper
- NONE-Domestic Phosphor Bronze

|                   |            |            |                                  |
|-------------------|------------|------------|----------------------------------|
| GENERAL TOLERANCE | PROJECTION |            | Description:                     |
| X. ±0.50          | UNITS      | mm         | 2.0mm Pitch SIP Socket Connector |
| .X ±0.25          | SCALE      | 1:1        |                                  |
| .XX ±0.10         | Draw by:   | Jenny      | KLS P/N: L-KLS1-209B-1-XX-S-Y    |
| ANGLE TOLERANCE   | Check by:  |            | NingBo KLS ELECTRONIC CO.,L TD.  |
| X. ±5°            | Date       | 2018-03-01 |                                  |
| .X ±3°            | SHEET      | 1 OF 1     |                                  |
| .XX ±2°           |            |            |                                  |



Recommended P.C.B Layout (Top Side)  
(PCB BOARD TOLERANCE ±0.05)

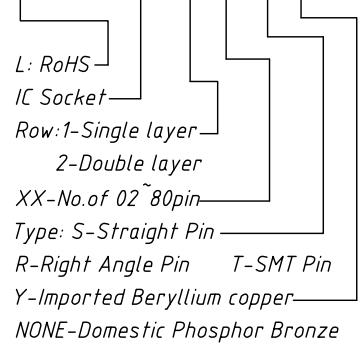


**Material:**  
Housing: 30% Glass filled PPS UL94V-0  
Contacts: Beryllium copper or Phosphor Bronze  
Plating: Gold 1.25u" over 50u" nickel

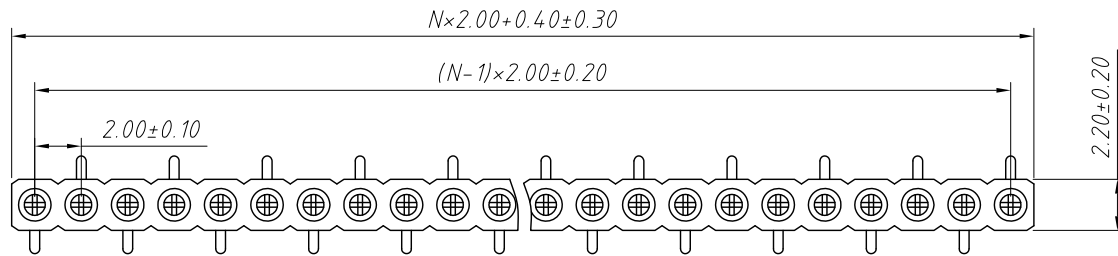
**Electrical Characteristics:**  
Current Rating: 3.0 AMP  
Insulator Resistance: 1000MΩ min.  
Contact Resistance: 10mΩ max.  
Operating Temperature: -40°C ~ +105°C

**Order Information:**

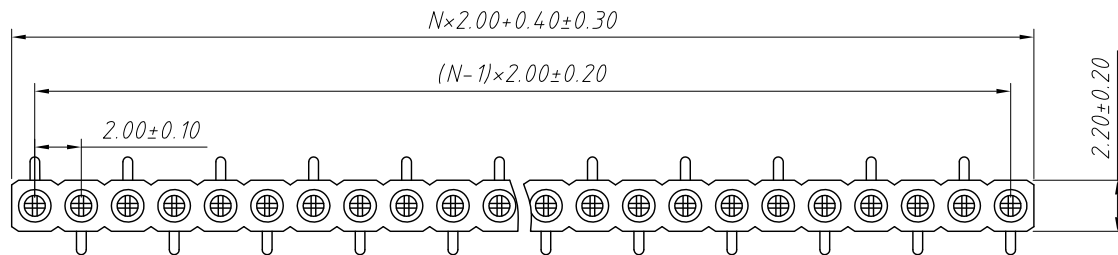
L-KLS1-209B-1-XX-R-Y



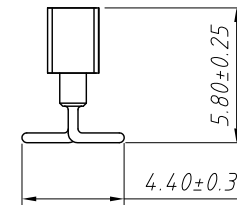
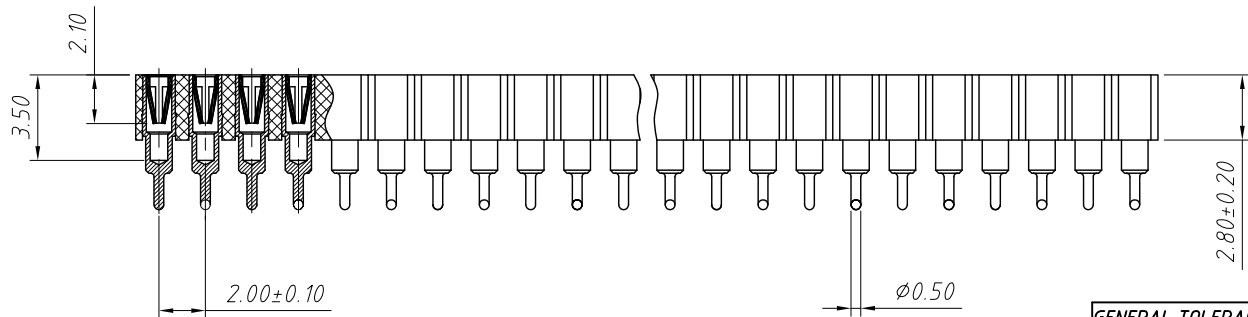
| GENERAL TOLERANCE | PROJECTION |            | Description:                     |
|-------------------|------------|------------|----------------------------------|
| X. ±0.50          | UNITS      | mm         | 2.0mm Pitch SIP Socket Connector |
| .X ±0.25          | SCALE      | 1:1        |                                  |
| .XX ±0.10         | Draw by:   | Jenny      |                                  |
| ANGLE TOLERANCE   |            | Check by:  | KLS P/N: L-KLS1-209B-1-XX-R-Y    |
| X. ±5°            | Date       | 2018-03-01 | NingBo KLS ELECTRONIC CO.,L TD.  |
| .X ±3°            | SHEET      | 1 OF 1     |                                  |
| .XX ±2°           |            |            |                                  |



T2 Type



T1 Type

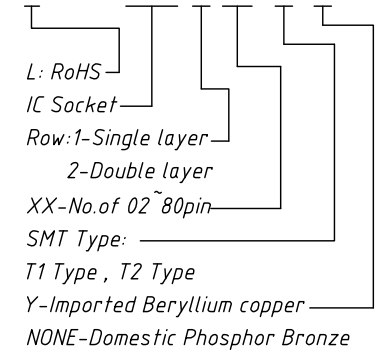


**Material:**  
Housing: 30% Glass filled PPS UL94V-0  
Contacts: Beryllium copper or Phosphor Bronze  
Plating: Gold 1.25u" over 50u" nickel

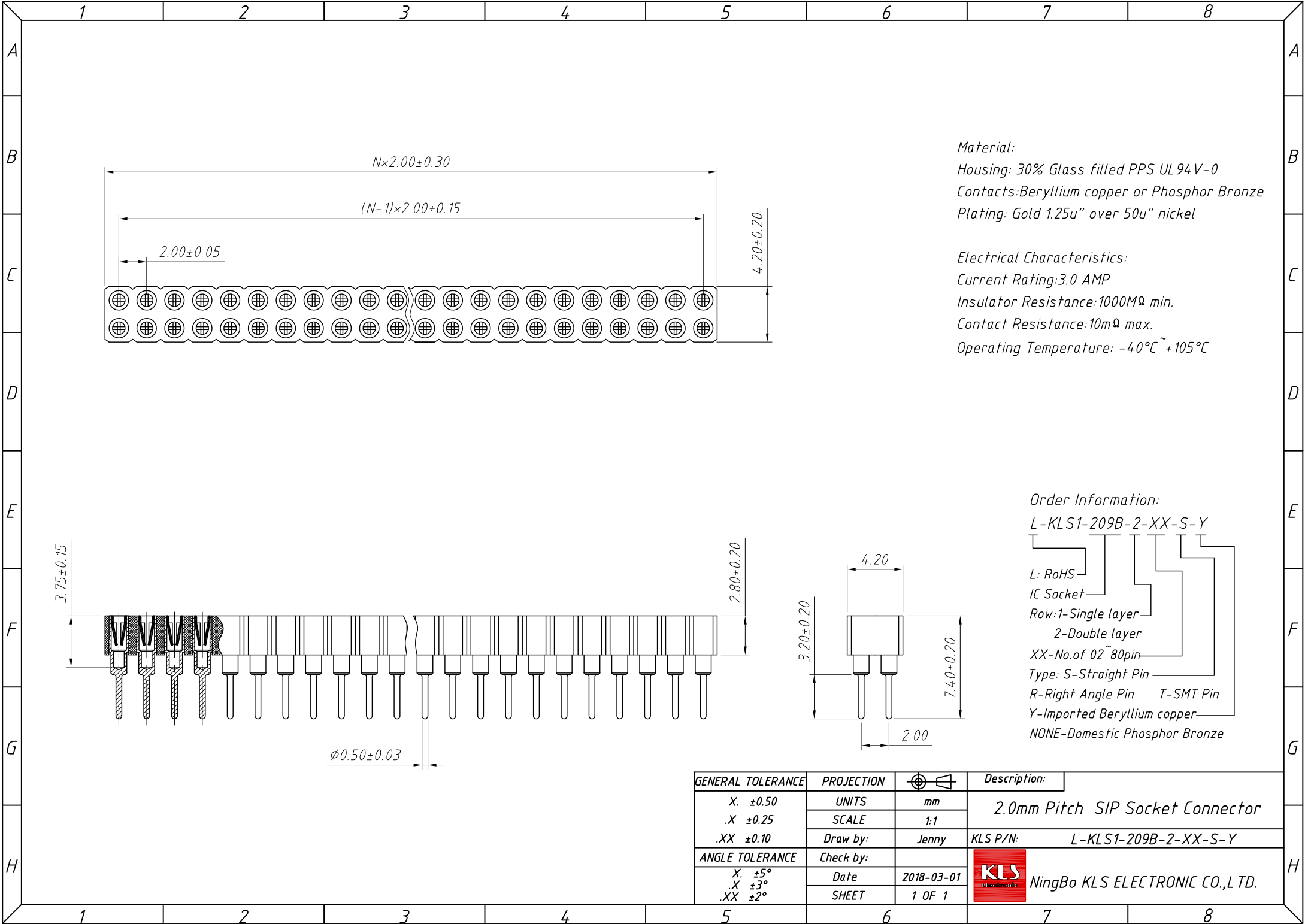
**Electrical Characteristics:**  
Current Rating: 3.0 AMP  
Insulator Resistance: 1000M $\Omega$  min.  
Contact Resistance: 10m $\Omega$  max.  
Operating Temperature: -40°C ~ +105°C

**Order Information:**

L-KLS1-209B-1-XX-T1-Y



| GENERAL TOLERANCE | PROJECTION |            | Description:                     |
|-------------------|------------|------------|----------------------------------|
| X. ±0.50          | UNITS      | mm         | 2.0mm Pitch SIP Socket Connector |
| .X ±0.25          | SCALE      | 1:1        |                                  |
| .XX ±0.10         | Draw by:   | Jenny      |                                  |
| ANGLE TOLERANCE   | Check by:  |            | L-KLS1-209B-1-XX-T1-Y            |
| X. ±5°            | Date       | 2018-03-01 | NingBo KLS ELECTRONIC CO.,L TD.  |
| .X ±3°            | SHEET      | 1 OF 1     |                                  |
| .XX ±2°           |            |            |                                  |



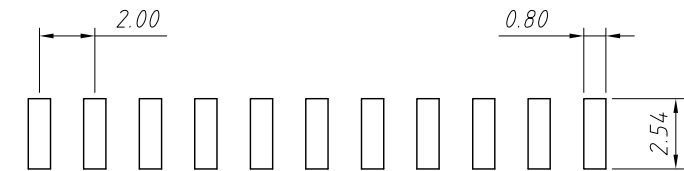
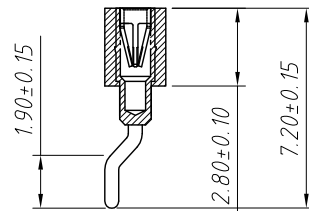
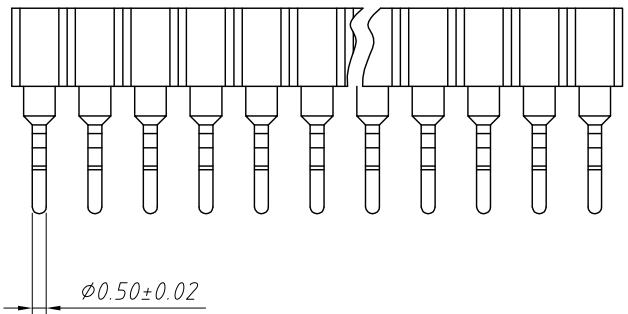
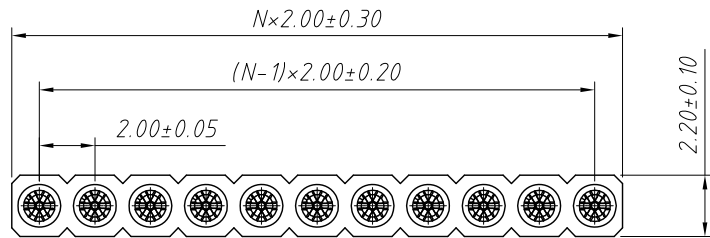
**Material:**  
 Housing: 30% Glass filled PPS UL94V-0  
 Contacts: Beryllium copper or Phosphor Bronze  
 Plating: Gold 1.25u" over 50u" nickel

**Electrical Characteristics:**  
 Current Rating: 3.0 AMP  
 Insulator Resistance: 1000MΩ min.  
 Contact Resistance: 10mΩ max.  
 Operating Temperature: -40°C ~ +105°C

**Order Information:**  
 L-KLS1-209B-2-XX-S-Y

L: RoHS  
 IC Socket  
 Row: 1-Single layer  
 2-Double layer  
 XX-No. of 02 ~ 80pin  
 Type: S-Straight Pin  
 R-Right Angle Pin    T-SMT Pin  
 Y-Imported Beryllium copper  
 NONE-Domestic Phosphor Bronze

| GENERAL TOLERANCE | PROJECTION |            | Description:                     |
|-------------------|------------|------------|----------------------------------|
| X. ±0.50          | UNITS      | mm         | 2.0mm Pitch SIP Socket Connector |
| .X ±0.25          | SCALE      | 1:1        |                                  |
| .XX ±0.10         | Draw by:   | Jenny      | KLS P/N: L-KLS1-209B-2-XX-S-Y    |
| ANGLE TOLERANCE   | Check by:  |            | NingBo KLS ELECTRONIC CO.,L TD.  |
| X. ±5°            | Date       | 2018-03-01 |                                  |
| .X ±3°            | SHEET      | 1 OF 1     |                                  |
| .XX ±2°           |            |            |                                  |



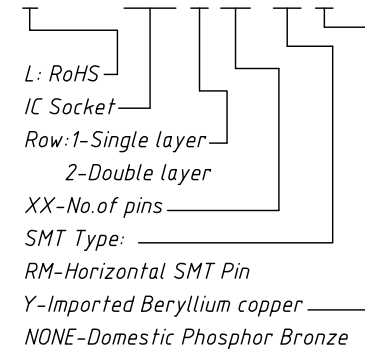
Recommended P.C.B Layout ( $\pm 0.05$ )

**Technical Data**

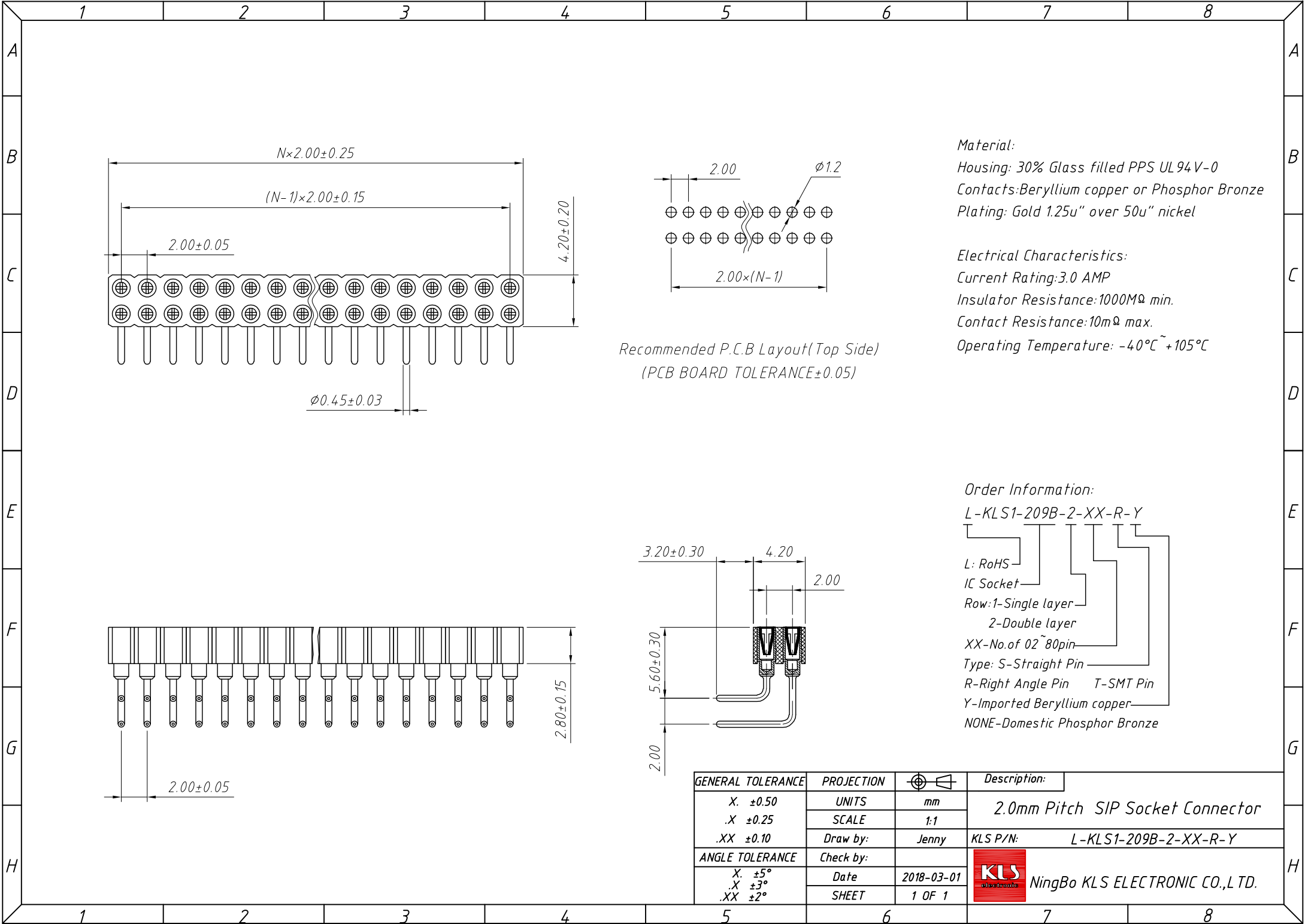
Pin(outer sleeve):Brass,machined CuZn38Pb2  
 Cllp(Contact 6 Finger):Beryllium copper,heat teated  
 Insulator:PA6T UL 94 V-0 colour:White  
 Current rating:1Amps  
 Mating pin  $\phi$ :0.40/0.66mm  
 Forces:(polished steel gauge  $\phi$ 0.46mm)  
 -Insertion:0.7N typ  
 -Withdrawal:0.4N typ  
 Mechanical life:min 500cycles  
 Contact resistance:max 10m  
 Dielectric strength:min 1000V RMS  
 Operating temperature:-40°C to+105°C  
 Soldering temperature:+255°C

**Order Information:**

L-KLS1-209B-1-XX-RM-Y



| GENERAL TOLERANCE | PROJECTION |            |                                 |
|-------------------|------------|------------|---------------------------------|
| X. $\pm 0.50$     | UNITS      |            | mm                              |
| .X $\pm 0.25$     | SCALE      |            | 1:1                             |
| .XX $\pm 0.10$    | Draw by:   | Jenny      | KLS P/N: L-KLS1-209B-1-XX-RM-Y  |
| ANGLE TOLERANCE   | Check by:  |            |                                 |
| X. $\pm 5^\circ$  | Date       | 2018-03-01 | NingBo KLS ELECTRONIC CO.,L TD. |
| .X $\pm 3^\circ$  | SHEET      | 1 OF 1     |                                 |
| .XX $\pm 2^\circ$ |            |            |                                 |

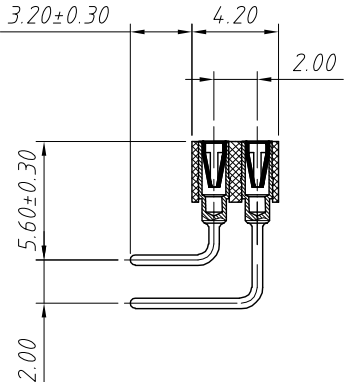


**Material:**  
 Housing: 30% Glass filled PPS UL94V-0  
 Contacts: Beryllium copper or Phosphor Bronze  
 Plating: Gold 1.25u" over 50u" nickel

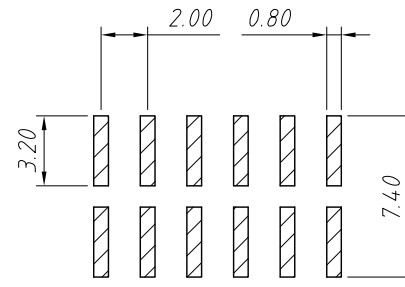
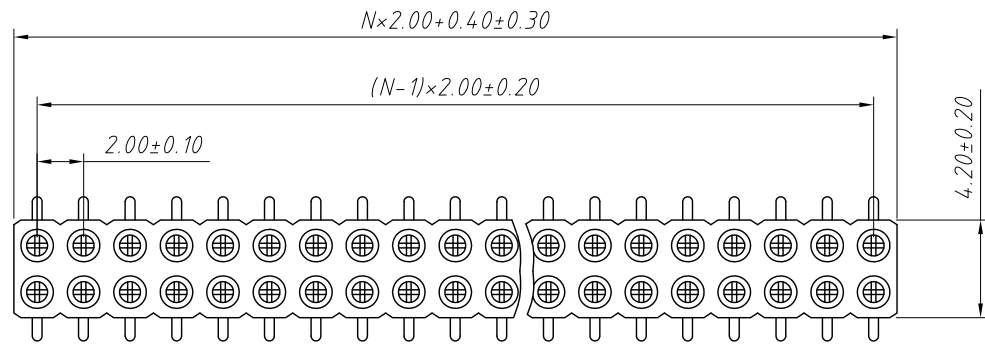
**Electrical Characteristics:**  
 Current Rating: 3.0 AMP  
 Insulator Resistance: 1000MΩ min.  
 Contact Resistance: 10mΩ max.  
 Operating Temperature: -40°C ~ +105°C

Recommended P.C.B Layout (Top Side)  
 (PCB BOARD TOLERANCE ± 0.05)

**Order Information:**  
 L-KLS1-209B-2-XX-R-Y  
 L: RoHS  
 IC Socket  
 Row: 1-Single layer  
 2-Double layer  
 XX-No. of 02~80pin  
 Type: S-Straight Pin  
 R-Right Angle Pin T-SMT Pin  
 Y-Imported Beryllium copper  
 NONE-Domestic Phosphor Bronze



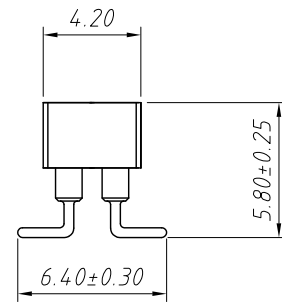
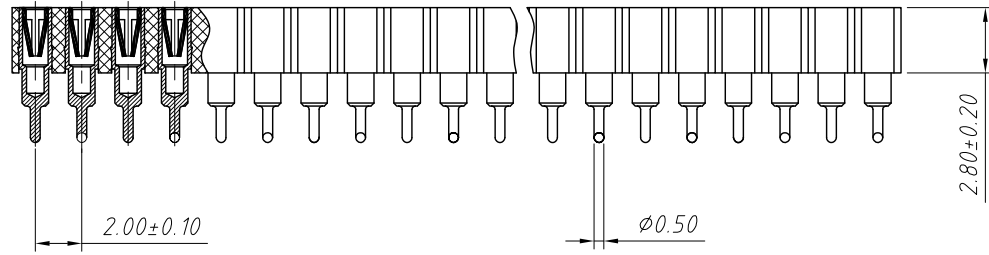
|                          |                   |            |                                  |
|--------------------------|-------------------|------------|----------------------------------|
| <b>GENERAL TOLERANCE</b> | <b>PROJECTION</b> |            | <b>Description:</b>              |
| X. ±0.50                 | UNITS             | mm         | 2.0mm Pitch SIP Socket Connector |
| .X ±0.25                 | SCALE             | 1:1        |                                  |
| .XX ±0.10                | Draw by:          | Jenny      | KLS P/N: L-KLS1-209B-2-XX-R-Y    |
| <b>ANGLE TOLERANCE</b>   | Check by:         |            | NingBo KLS ELECTRONIC CO.,L TD.  |
| X. ±5°                   | Date              | 2018-03-01 |                                  |
| .X ±3°                   | SHEET             | 1 OF 1     |                                  |
| .XX ±2°                  |                   |            |                                  |



Recommended P.C.B Layout (Top Side)  
(PCB BOARD TOLERANCE ±0.05)

**Material:**  
Housing: 30% Glass filled PPS UL94V-0  
Contacts: Beryllium copper or Phosphor Bronze  
Plating: Gold 1.25u" over 50u" nickel

**Electrical Characteristics:**  
Current Rating: 3.0 AMP  
Insulator Resistance: 1000MΩ min.  
Contact Resistance: 10mΩ max.  
Operating Temperature: -40°C ~ +105°C



**Order Information:**  
L-KLS1-209B-2-XX-T-Y  
L: RoHS  
IC Socket  
Row: 1-Single layer  
2-Double layer  
XX-No. of 02 ~ 80pin  
T=SMT Type  
Y-Imported Beryllium copper  
NONE-Domestic Phosphor Bronze

| GENERAL TOLERANCE | PROJECTION |            | Description:                     |
|-------------------|------------|------------|----------------------------------|
| X. ±0.50          | UNITS      | mm         | 2.0mm Pitch SIP Socket Connector |
| .X ±0.25          | SCALE      | 1:1        |                                  |
| .XX ±0.10         | Draw by:   | Jenny      |                                  |
| ANGLE TOLERANCE   | Check by:  |            | KLS P/N: L-KLS1-209B-2-XX-T-Y    |
| X. ±5°            | Date       | 2018-03-01 | NingBo KLS ELECTRONIC CO.,L TD.  |
| .X ±3°            | SHEET      | 1 OF 1     |                                  |
| .XX ±2°           |            |            |                                  |