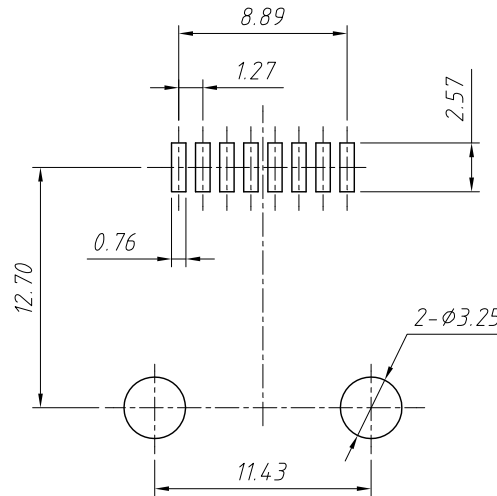
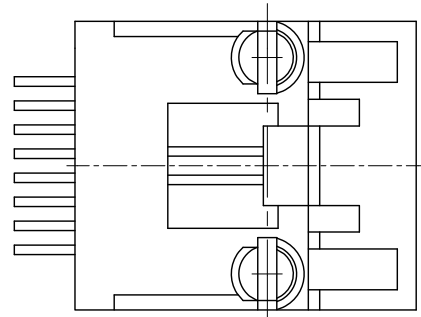
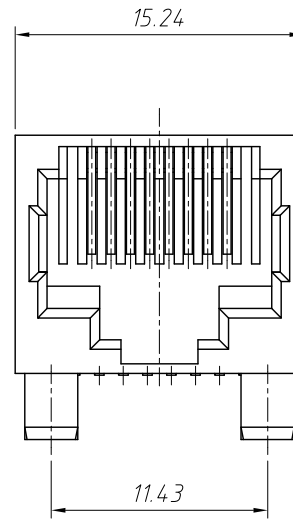
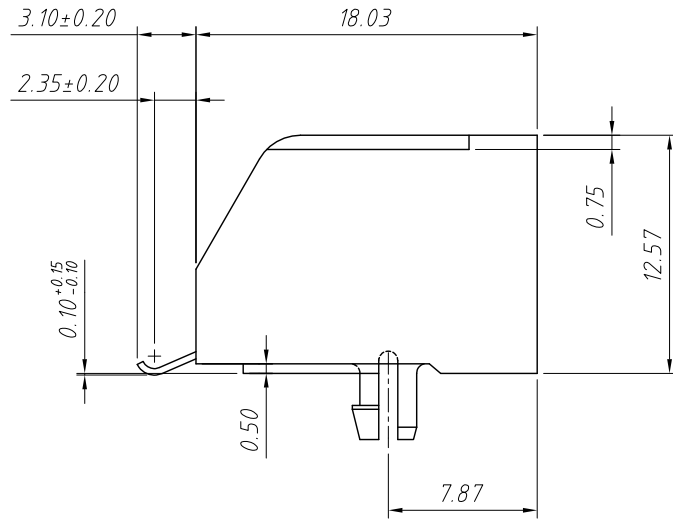


1 RoHS Compliance



Recommended P.C.B Layout

Electrical:

- 1.Voltage Rating:125VAC
- 2.Current Rating:1.5A
- 3.Contact Resistance:30mΩ Max.
- 4.Insulation Resistance:500MΩ Min.@500VDC
- 5.Withstanding Resistance:1000VAC RMS.50Hz 1minute

Materials:

- 1.Housing:High Temp.Thermoplastic Flammability UL 94V-0
- 2.Contact:Phosphor Bronze Flat Pin
- 3.Plating:Gold Plating over nickel in contact,
Tin Planting over nickel in solder area

Mechanical:

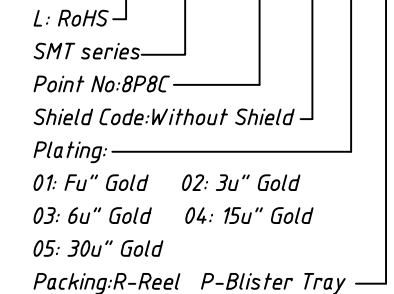
- 1.Durability:750 cycles Min.
- 2.PCB Retention pre-solder:1 LB Min.

Environmental:

- 1.Storage: -40°C ~ +80°C

Order Information:

L-KLS12-SMT01-8P8C-N-XX-P



ANGLE TOLERANCE	PROJECTION	Description:	RJ45-8P8C SMD Jack Horizontal, Without Shielded
±3°			
GENERAL TOLERANCE	UNITS	mm	KLS P/N: L-KLS12-SMT01-8P8C-N-XX-P
x.x ±0.30	SHEET SIZE	A4	NingBo KLS ELECTRONIC CO.,L TD.
x.xx ±0.20	Draw:Jenny	Daniel	
x.xxx ±0.10	Check:Daniel	Daniel	
		2021-08-01	
		2021-08-01	