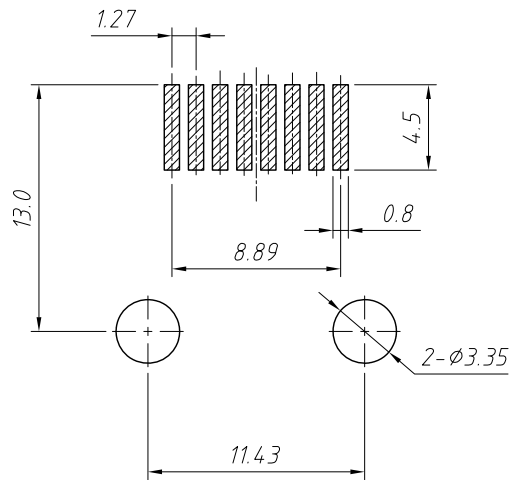
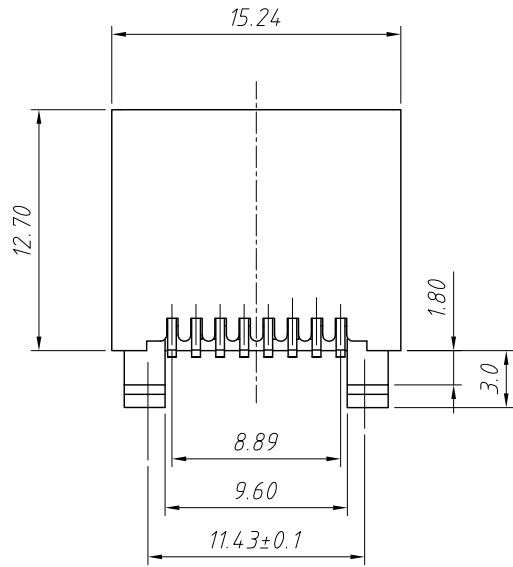
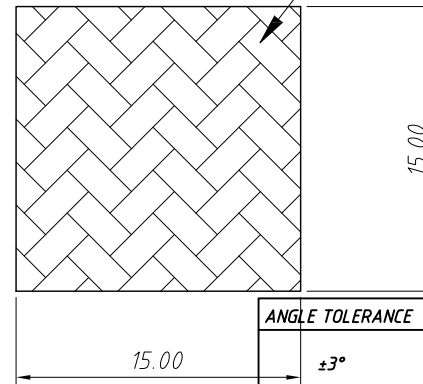
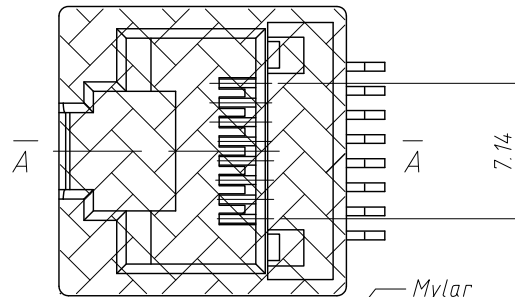
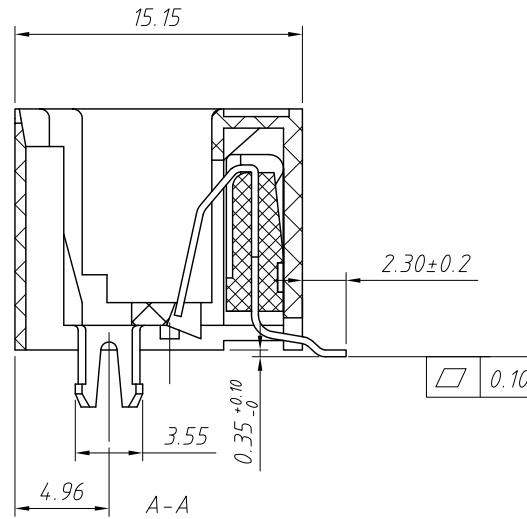


RoHS Compliance



PC Board Layout T=1.60mm
Tolerances±0.05mm



Electrical:

- 1.Voltage Rating:125VAC
- 2.Current Rating:1.5A
- 3.Contact Resistance:20mΩ Max.
- 4.Insulation Resistance:1000MΩ Min.@500VDC
- 5.Withstanding Resistance:1500VAC RMS.60Hz 1minute

Materials:

- 1.Housing:LCP, UL 94 V-0
- 2.Contact:Phosphor Bronze T=0.35mm
- 3.Plating:Contact Area:Selective Gold Plating
Tails Plating Tin Over NICKEL

Mechanical:

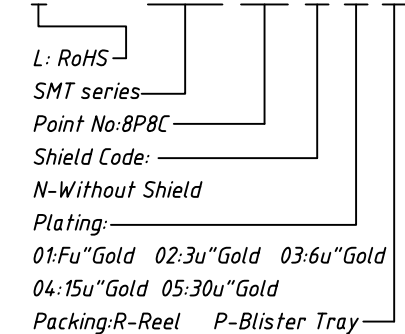
- 1.Durability:750 cycles Min.
- 2.Mating/Unmating Force :30N Max.
- 3.Retention Strength:50N For 60s±5s

Environmental:

- 1.Storage: -40°C~+85°C,Relative Humidity<80%
- 2.Operating Temperature:-40°C~+85°C

Order Information:

L-KLS12-SMT03-8P8C-N-XX-P



ANGLE TOLERANCE	PROJECTION	Description:
±3°		RJ45-8P8C SMD Jack Vertical, Without Shell
GENERAL TOLERANCE	UNITS	mm
x.x ±0.30	SHEET SIZE	A4
x.xx ±0.20	Draw:Jenny	Daniel
x.xxx ±0.10	Check:Daniel	Daniel
		2021-08-01
		2021-08-01



NingBo KLS ELECTRONIC CO.,L TD.