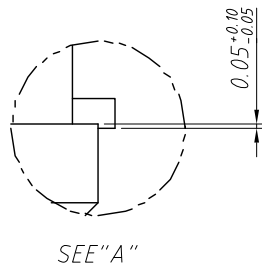
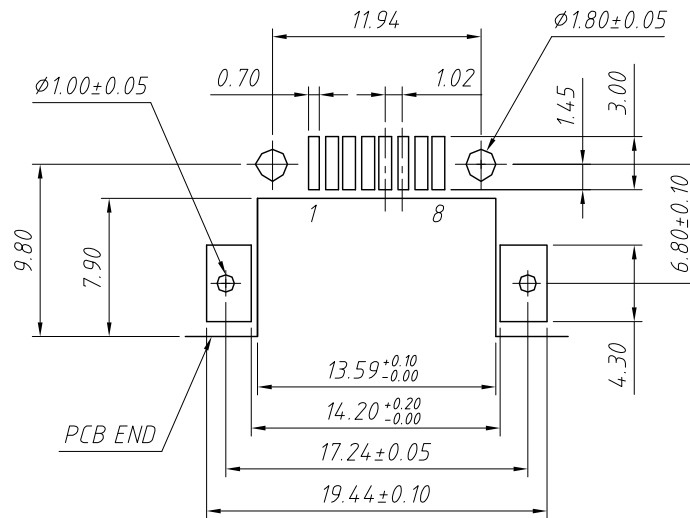
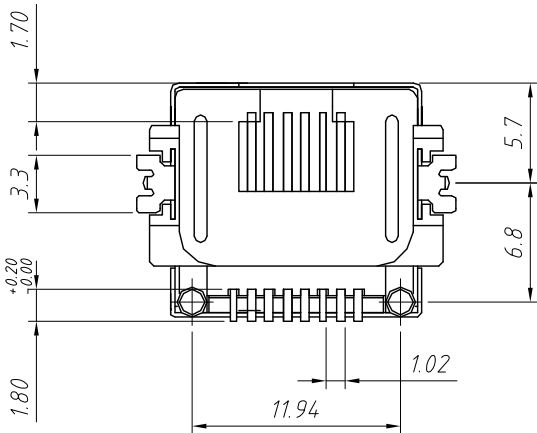
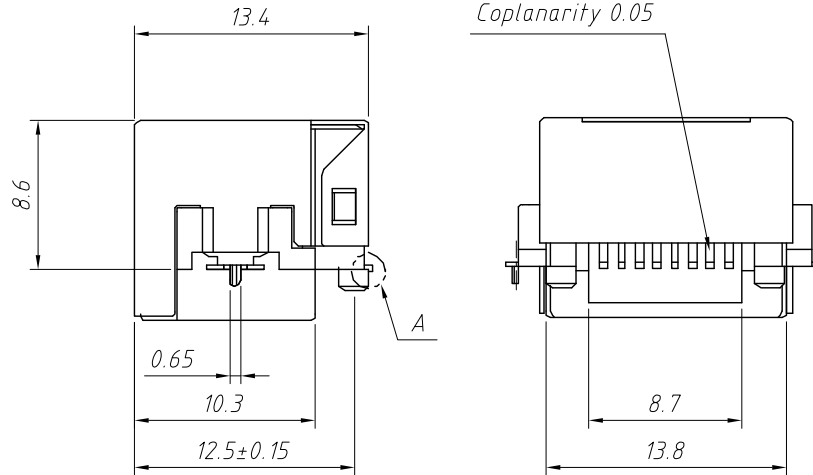
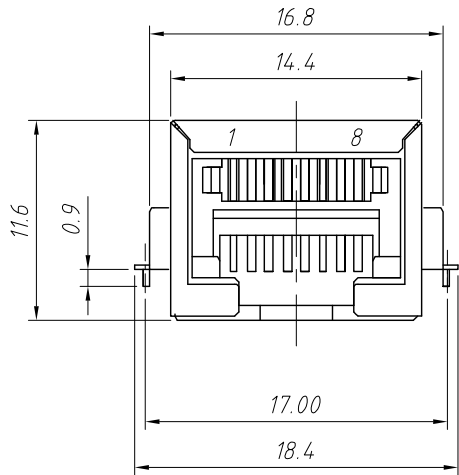


1 RoHS Compliance



P.C.B Layout (Top View)

Electrical:

- 1.Voltage Rating:125VAC
- 2.Current Rating:1.5A
- 3.Contact Resistance:35mΩ Max.
- 4.Insulation Resistance:1000MΩ Min.@500VDC
- 5.Withstanding Resistance:1000VAC RMS.50Hz 1minute

Materials:

- 1.Housing:Nylon FR52(High Temperature),UL 94V-0
- 2.Contact:Phosphor Bronze T=0.35mm
- 3.Shield:Brass, T=0.25mm
- 4.Plating:Contact Area-Selective Gold Plating
Tails-150u" Tin-Lead min over 50u" Nickel

Mechanical:

- 1.Durability:750 cycles Min.
- 2.PCB Retention pre-solder:1 LB Min.

Environmental:

- 1.Storage:-40°C ~ +85°C
- 2.Operation:-40°C ~ +85°C

Order Information:

L-KLS12-SMT08-8P8C-W-XX-R

- L: RoHS
- SMT series
- Point No:8P8C
- Shield Code:W-With Shield
- Plating:
- 01: 1u" Gold 02: 3u" Gold
- 03: 6u" Gold 04: 15u" Gold
- 05: 30u" Gold
- Packing:R-Reel P-Blister Tray

ANGLE TOLERANCE	PROJECTION	Description:	RJ45-8P8C SMD Jack Horizontal, Mid Mount with Shielded
±3°			
GENERAL TOLERANCE	UNITS	mm	KLS P/N: L-KLS12-SMT08-8P8C-W-XX-R
x.x ±0.30	SHEET SIZE	A4	NingBo KLS ELECTRONIC CO.,L TD.
x.xx ±0.20	Draw:Jenny	Daniel	
x.xxx ±0.10	Check:Daniel	Daniel	