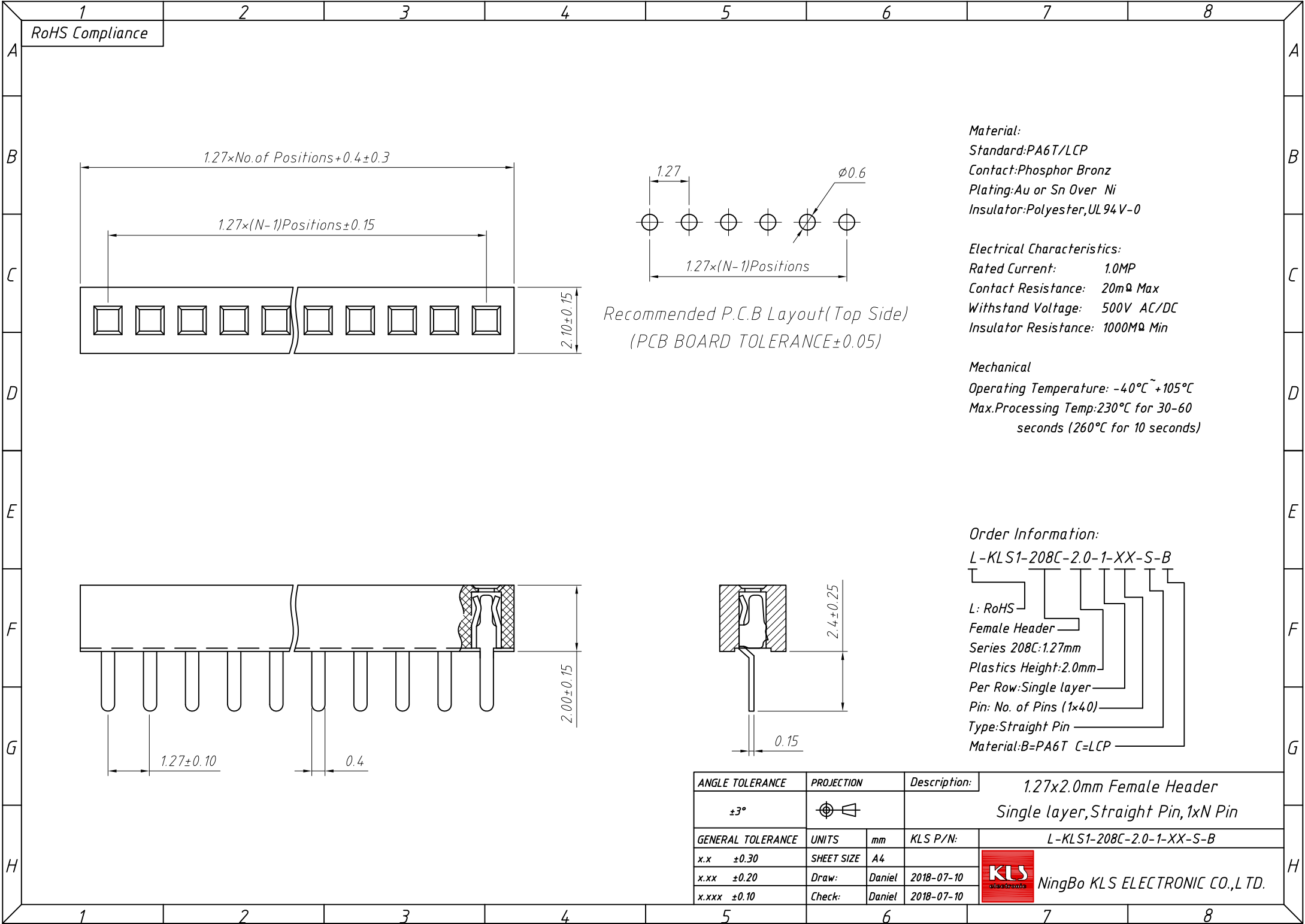


1
RoHS Compliance



Material:
 Standard: PA6T/LCP
 Contact: Phosphor Bronze
 Plating: Au or Sn Over Ni
 Insulator: Polyester, UL94V-0

Electrical Characteristics:
 Rated Current: 1.0MP
 Contact Resistance: 20mΩ Max
 Withstand Voltage: 500V AC/DC
 Insulator Resistance: 1000MΩ Min

Mechanical
 Operating Temperature: $-40^{\circ}\text{C} \sim +105^{\circ}\text{C}$
 Max. Processing Temp: 230°C for 30-60 seconds (260°C for 10 seconds)

Order Information:
 L-KLS1-208C-2.0-1-XX-S-B

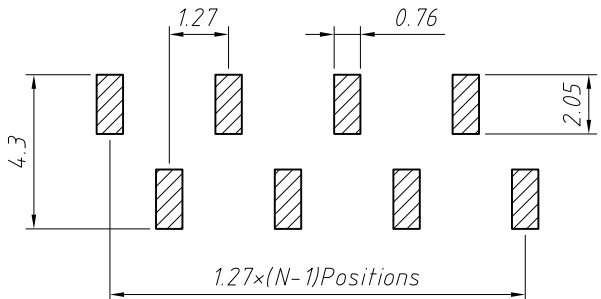
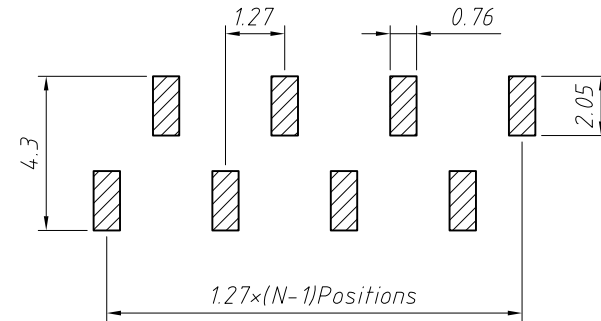
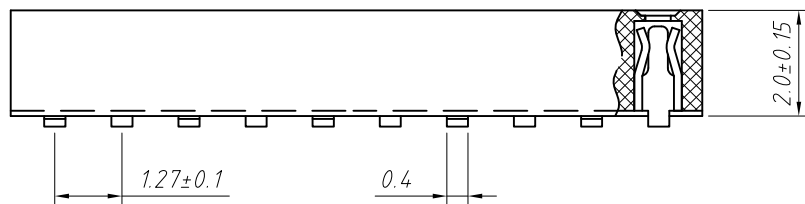
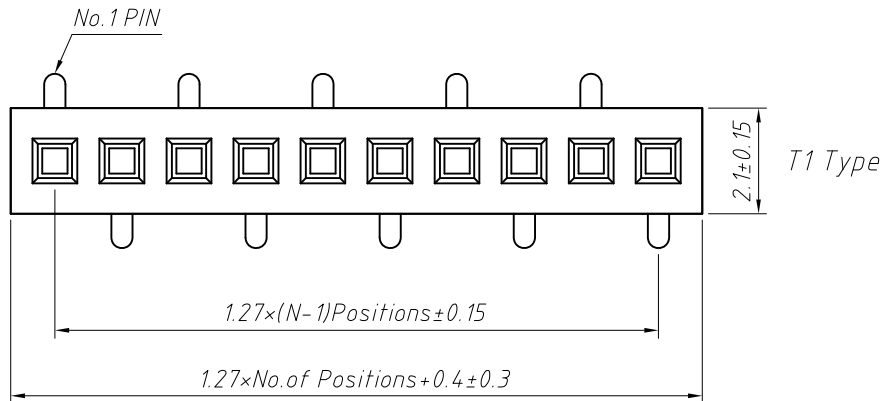
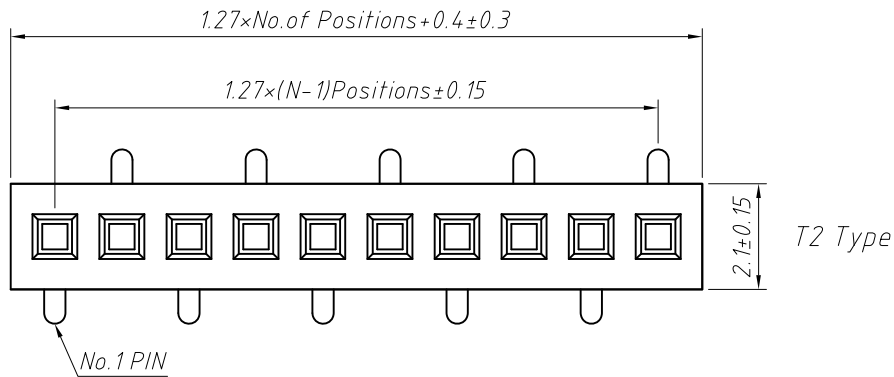
- L: RoHS
- Female Header
- Series 208C: 1.27mm
- Plastics Height: 2.0mm
- Per Row: Single layer
- Pin: No. of Pins (1x40)
- Type: Straight Pin
- Material: B=PA6T C=LCP

Recommended P.C.B Layout (Top Side)
 (PCB BOARD TOLERANCE ± 0.05)

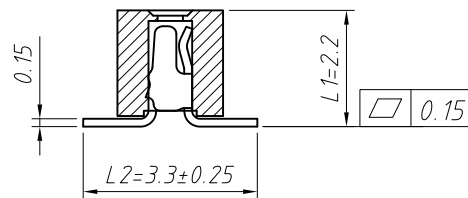
ANGLE TOLERANCE	PROJECTION	Description:	1.27x2.0mm Female Header Single layer, Straight Pin, 1xN Pin
$\pm 3^{\circ}$			
GENERAL TOLERANCE	UNITS	mm	KLS P/N: L-KLS1-208C-2.0-1-XX-S-B
x.x ± 0.30	SHEET SIZE	A4	
x.xx ± 0.20	Draw:	Daniel	2018-07-10
x.xxx ± 0.10	Check:	Daniel	2018-07-10



1 RoHS Compliance



Recommended P.C.B Layout (Top Side)
(PCB BOARD TOLERANCE ±0.05)



Material:
Standard:PA6T/LCP
Contact:Phosphor Bronze
Contact plating:Au or Sn over Ni
Nickel Insulator:Polyester,UL94V-0

Electrical Characteristics:
Rated Current: 1.0AMP
Contact Resistance: 20mΩ Max
Withstand Voltage: 500V AC/DC
Insulator Resistance: 1000MΩ Min

Mechanical
Operating Temperature: -40°C ~ +105°C
Max.Processing Temp:230°C for 30-60 seconds (260°C for 10 seconds)

Order Information:

L-KLS1-208C-2.0-1-XX-T1-L1xL2-N-B-R

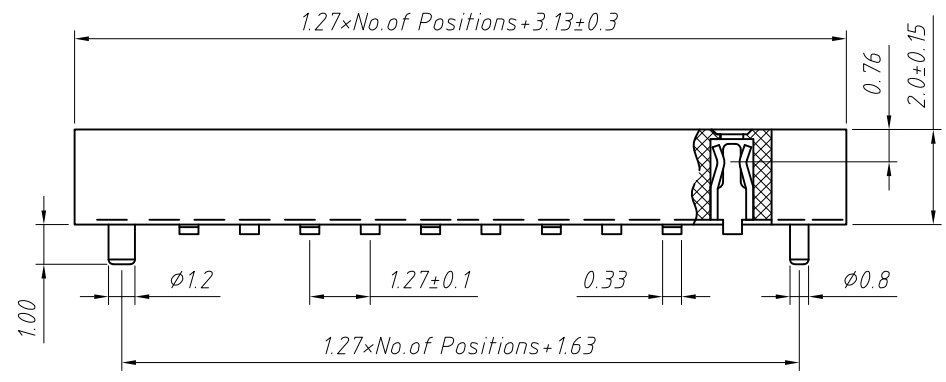
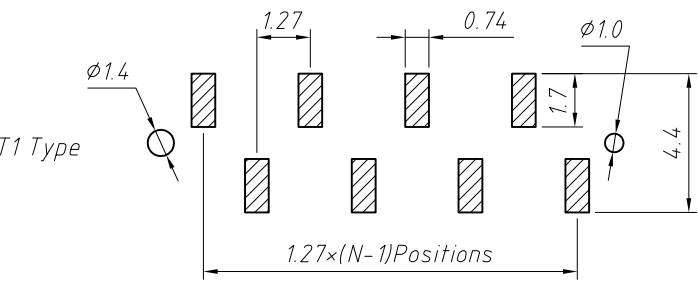
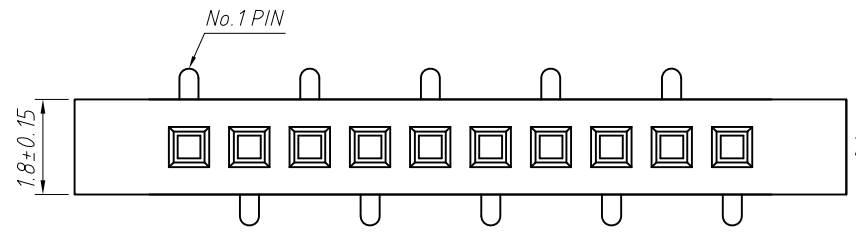
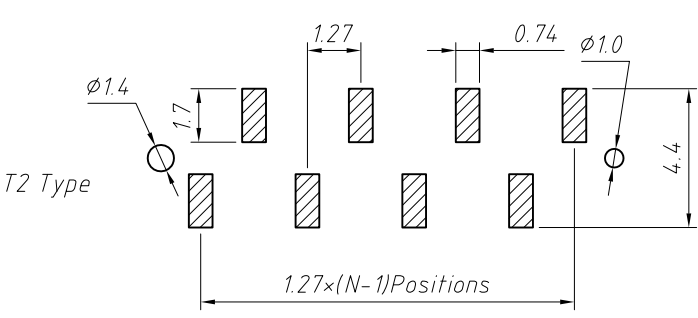
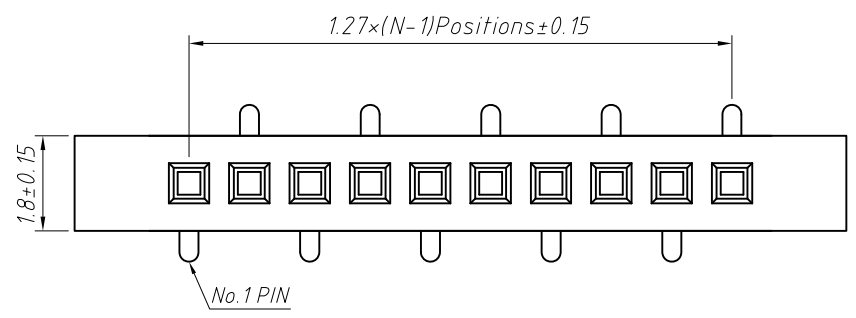
L: RoHS
Pin Header Series—
208C:1.27mm
Plastics Height:2.0mm
Per Row:Single layer
Pin: No. of Pins (1x40)
SMT Pin:T1 Type,T2 Type
Size:L1xL2
Post:W=With Post N=W/O Post
Material:B=PA6T C=LCP
Packing:
A=Tray T=Tube M=Reel+Mylar
P=Tube+Cap R=Reel+Cap

Dimension antitheses list (mm)			
ITEM	L1	L2	Plastic Height
Standard	2.20	3.30	2.00
Nonstandard	---	---	---

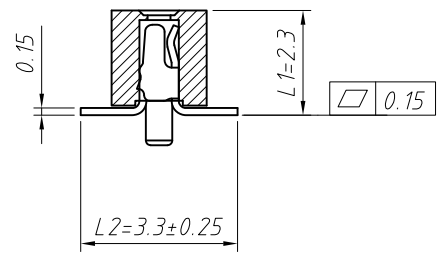
ANGLE TOLERANCE	PROJECTION	Description:	1.27mm Female Header Single layer,SMT Pin,1xN Pin	
±3°				
GENERAL TOLERANCE	UNITS	mm	KLS P/N:	L-KLS1-208C-2.0-1-XX-T1-L1xL2-N-B-R
x.x ±0.30	SHEET SIZE	A4		
x.xx ±0.20	Draw:	Daniel	2018-07-10	
x.xxx ±0.10	Check:	Daniel	2018-07-10	

NingBo KLS ELECTRONIC CO.,L TD.

1 RoHS Compliance



Recommended P.C.B Layout (Top Side)
(PCB BOARD TOLERANCE±0.05)



Material:
Standard:PA6T/LCP
Contact:Phosphor Bronze
Contact plating:Au or Sn over Ni
NickelInsulator:Polyester,UL94V-0

Electrical Characteristics:
Rated Current: 1.0AMP
Contact Resistance: 20mΩ Max
Withstand Voltage: 500V AC/DC
Insulator Resistance: 1000MΩ Min

Mechanical
Operating Temperature: -40°C ~ +105°C
Max.Processing Temp:230°C for 30-60 seconds (260°C for 10 seconds)

Order Information:
L-KLS1-208C-2.0-1-XX-T4-L1xL2-B-R

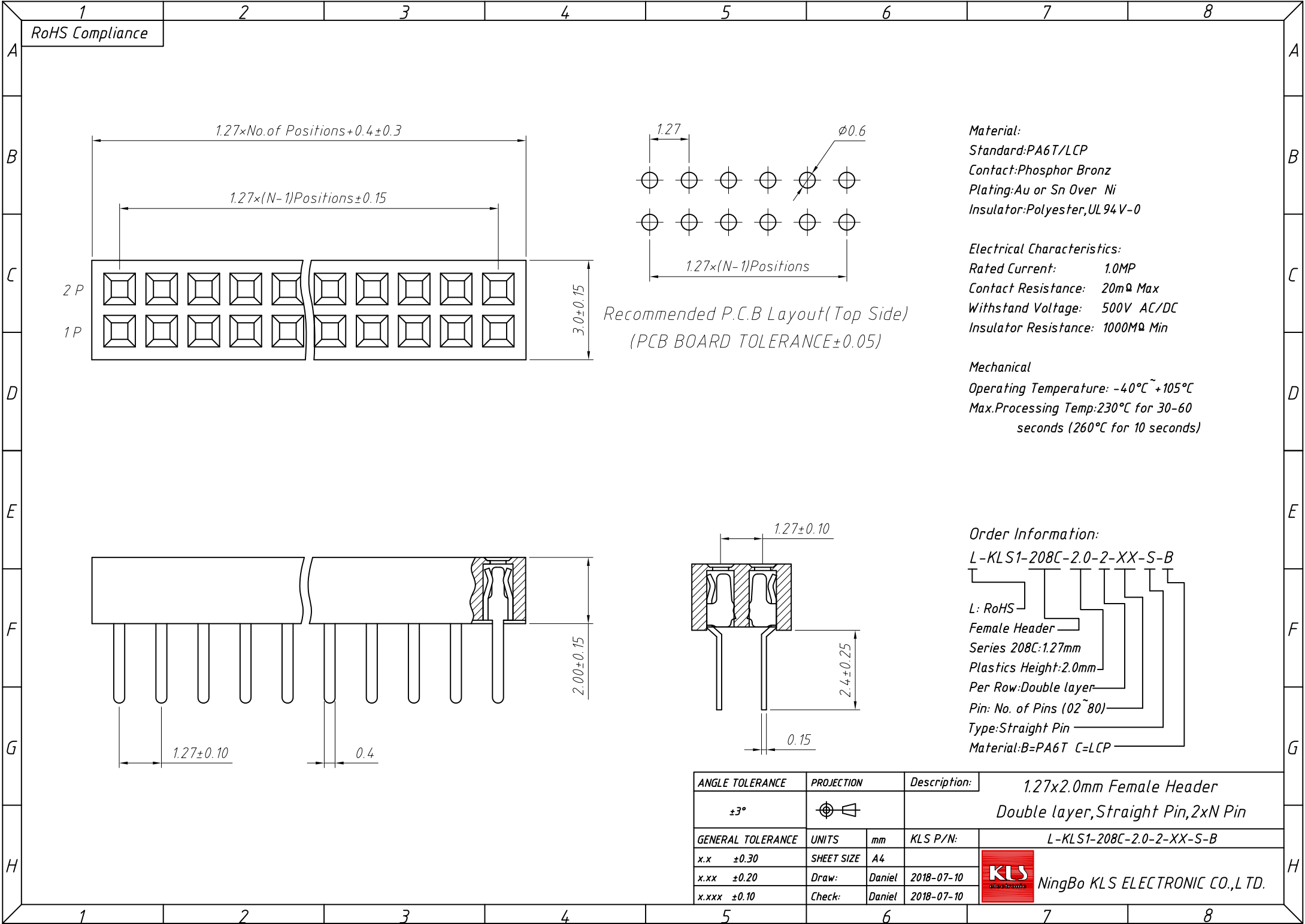
- L: RoHS
- Pin Header Series- 208C:1.27mm
- Plastics Height:2.0mm
- Per Row:Single layer
- Pin: No. of Pins (1x40)
- Type:SMT Pin
- Size:L1xL2
- Material:B=PA6T C=LCP
- Packing:
 - A=Tray
 - T=Tube
 - M=Reel+Mylar
 - P=Tube+Cap
 - R=Reel+Cap

Dimension antitheses list (mm)			
ITEM	L1	L2	Plastic Height
Standard	2.30	3.30	2.00
Nonstandard	---	---	---

ANGLE TOLERANCE	PROJECTION	Description:
±3°		1.27mm Female Header Single layer, SMT Pin, 1xN Pin
GENERAL TOLERANCE	UNITS	mm
x.x ±0.30	SHEET SIZE	A4
x.xx ±0.20	Draw:	Daniel 2018-07-10
x.xxx ±0.10	Check:	Daniel 2018-07-10

KLS NingBo KLS ELECTRONIC CO.,L TD.

1
RoHS Compliance



Material:
Standard:PA6T/LCP
Contact:Phosphor Bronze
Plating: Au or Sn Over Ni
Insulator:Polyester,UL94V-0

Electrical Characteristics:
Rated Current: 1.0MP
Contact Resistance: 20mΩ Max
Withstand Voltage: 500V AC/DC
Insulator Resistance: 1000MΩ Min

Mechanical
Operating Temperature: -40°C~+105°C
Max.Processing Temp:230°C for 30-60 seconds (260°C for 10 seconds)

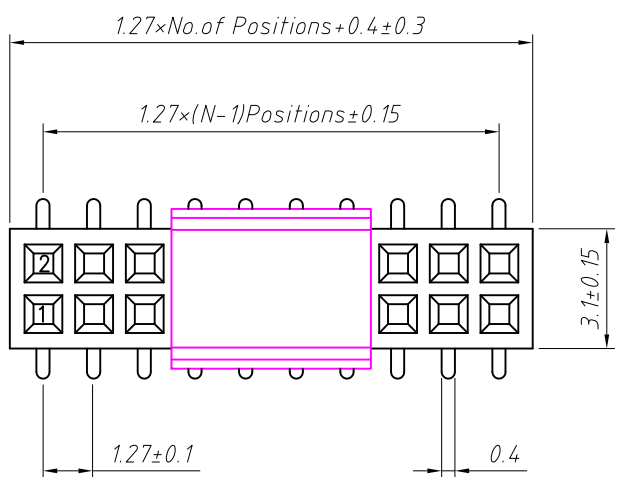
Order Information:
L-KLS1-208C-2.0-2-XX-S-B

L: RoHS
Female Header
Series 208C:1.27mm
Plastics Height:2.0mm
Per Row:Double layer
Pin: No. of Pins (02~80)
Type: Straight Pin
Material: B=PA6T C=LCP

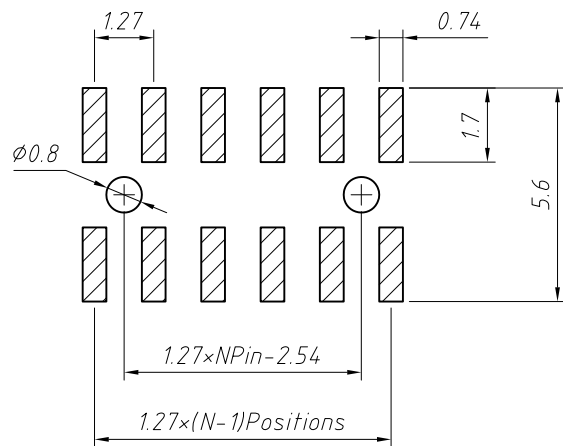
ANGLE TOLERANCE	PROJECTION	Description:	1.27x2.0mm Female Header Double layer, Straight Pin, 2xN Pin	
±3°				
GENERAL TOLERANCE	UNITS	mm	KLS P/N:	L-KLS1-208C-2.0-2-XX-S-B
x.x ±0.30	SHEET SIZE	A4		
x.xx ±0.20	Draw:	Daniel	2018-07-10	
x.xxx ±0.10	Check:	Daniel	2018-07-10	

NingBo KLS ELECTRONIC CO.,L TD.

1 RoHS Compliance



Recommended P.C.B Layout(Top Side)
(PCB BOARD TOLERANCE±0.05)



Material:
Standard:PA6T/LCP
Contact:Phosphor Bronze
Contact plating:Au or Sn over Ni
NickelInsulator:Polyester,UL94V-0

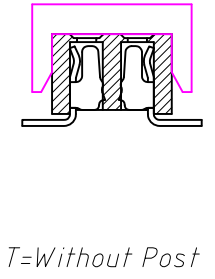
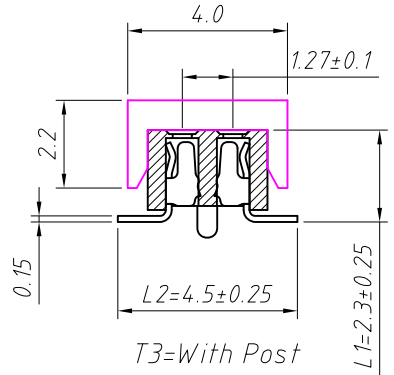
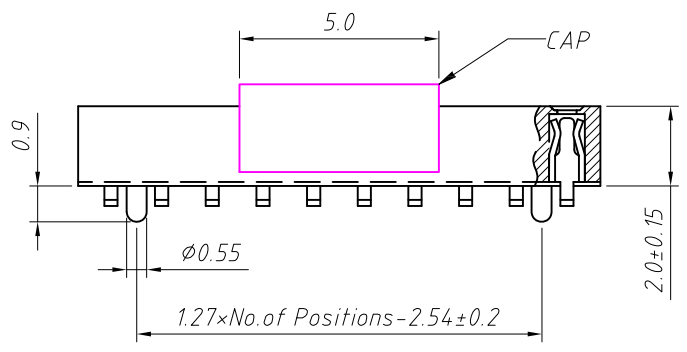
Electrical Characteristics:
Rated Current: 1.0AMP
Contact Resistance: 20mΩ Max
Withstand Voltage: 500V AC/DC
Insulator Resistance: 1000MΩ Min

Mechanical
Operating Temperature: -40°C ~ +105°C
Max.Processing Temp:230°C for 30-60 seconds (260°C for 10 seconds)

Order Information:

L-KLS1-208C-2.0-2-XX-T-L1xL2-B-R

L: RoHS
Pin Header Series-
208C:1.27mm
Plastics Height:2.0mm
Per Row:Double layer
Pin: No. of Pins (02~80)
SMT:T=Without Post,T3=With Post
Size:L1xL2
Material:B=PA6T C=LCP
Packing:
A=Tray T=Tube M=Reel+Mylar
P=Tube+Cap R=Reel+Cap



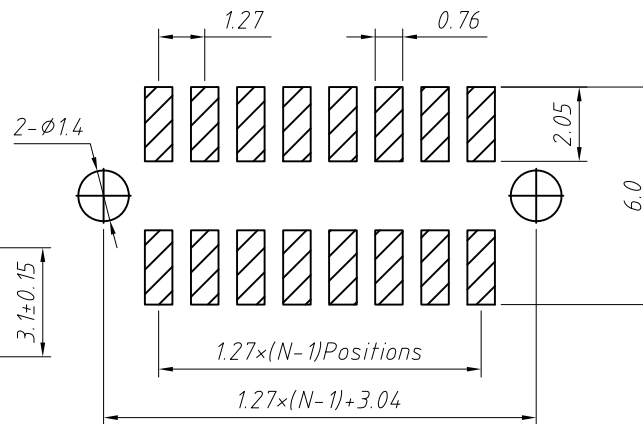
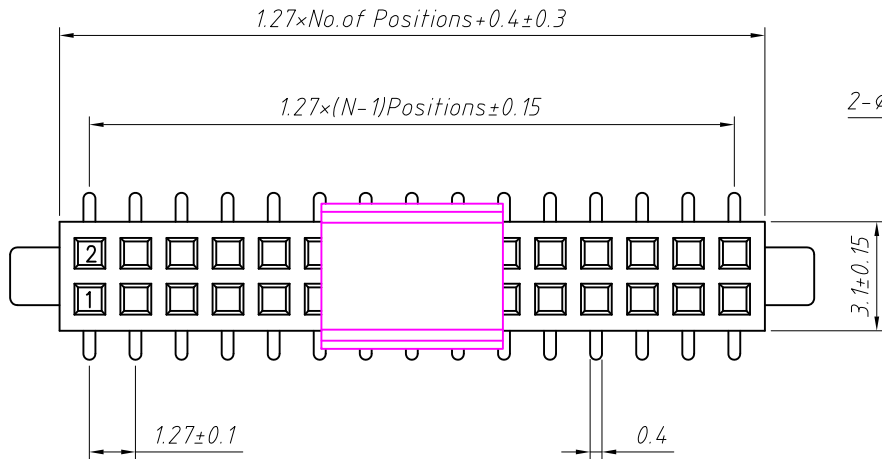
Dimension antitheses list (mm)			
ITEM	L1	L2	Plastic Height
Standard	2.30	4.50	2.00
Nonstandard	---	---	---

ANGLE TOLERANCE	PROJECTION	Description:
±3°		1.27mm Female Header Double layer ,SMT Pin,2xN Pin
GENERAL TOLERANCE	UNITS	mm
x.x ±0.30	SHEET SIZE	A4
x.xx ±0.20	Draw:	Daniel 2018-07-10
x.xxx ±0.10	Check:	Daniel 2018-07-10

L-KLS1-208C-2.0-2-XX-T-L1xL2-B-R

NingBo KLS ELECTRONIC CO.,L TD.

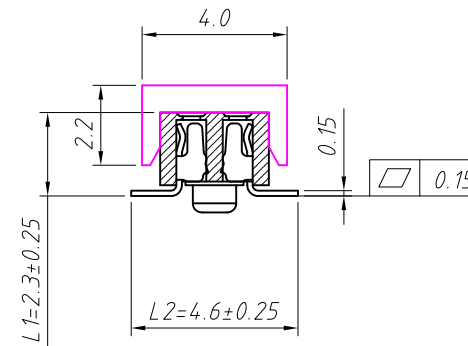
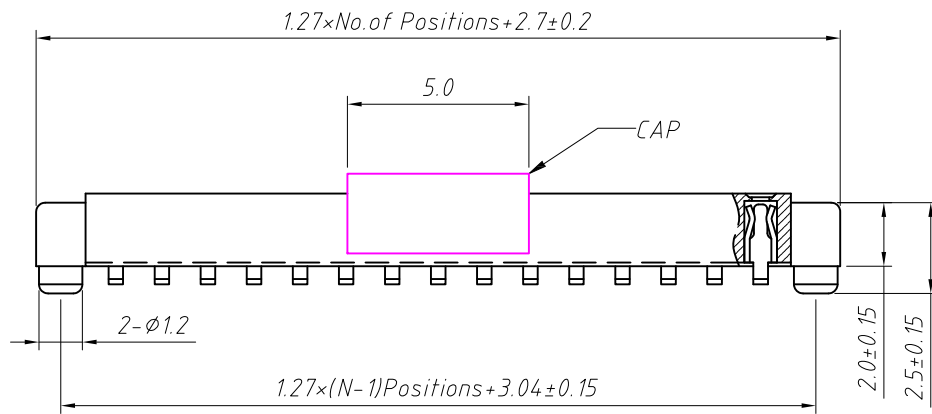
1 RoHS Compliance



Material:
 Standard: PA6T/LCP
 Contact: Phosphor Bronze
 Contact plating: Au or Sn over Ni
 Nickel Insulator: Polyester, UL 94 V-0

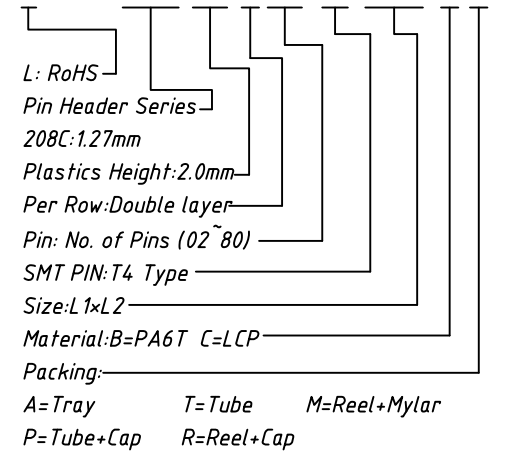
Electrical Characteristics:
 Rated Current: 1.0AMP
 Contact Resistance: $20m\Omega$ Max
 Withstand Voltage: 500V AC/DC
 Insulator Resistance: $1000M\Omega$ Min

Mechanical
 Operating Temperature: $-40^{\circ}\text{C} \sim +105^{\circ}\text{C}$
 Max. Processing Temp: 230°C for 30-60 seconds (260°C for 10 seconds)



Order Information:

L-KLS1-208C-2.0-2-XX-T4-L1xL2-B-R



Dimension antitheses list (mm)

ITEM	L1	L2	Plastic Height
Standard	2.30	4.60	2.00
Nonstandard	---	---	---

ANGLE TOLERANCE	PROJECTION	Description:
$\pm 3^{\circ}$		1.27mm Female Header Double layer, SMT Pin, 2xN Pin
GENERAL TOLERANCE	UNITS	mm
x.x ± 0.30	SHEET SIZE	A4
x.xx ± 0.20	Draw:	Daniel 2018-07-10
x.xxx ± 0.10	Check:	Daniel 2018-07-10

L-KLS1-208C-2.0-2-XX-T4-L1xL2-B-R

NingBo KLS ELECTRONIC CO.,L TD.