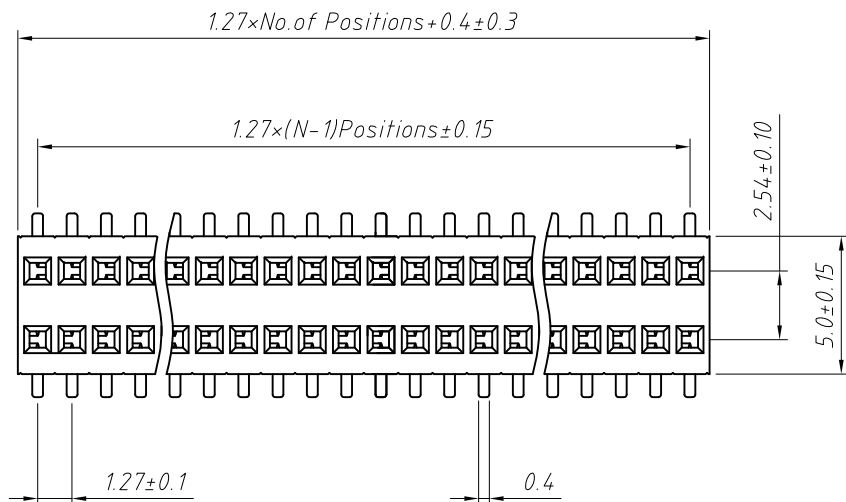
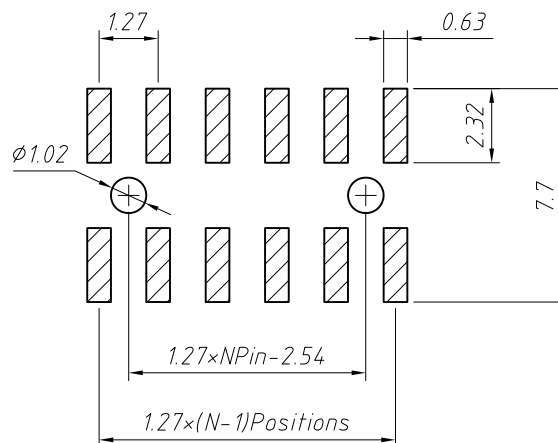


1 RoHS Compliance



Recommended P.C.B Layout (Top Side)  
(PCB BOARD TOLERANCE±0.05)



Material:  
Standard:PA6T/LCP  
Contact:Brass  
Contact plating: Au or Sn over 50u"Ni  
Nickel Insulator: Polyester, UL 94 V-0

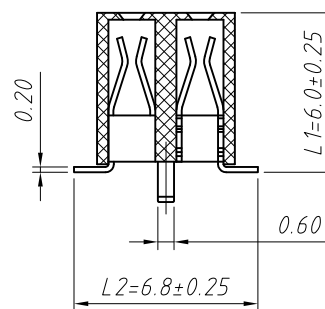
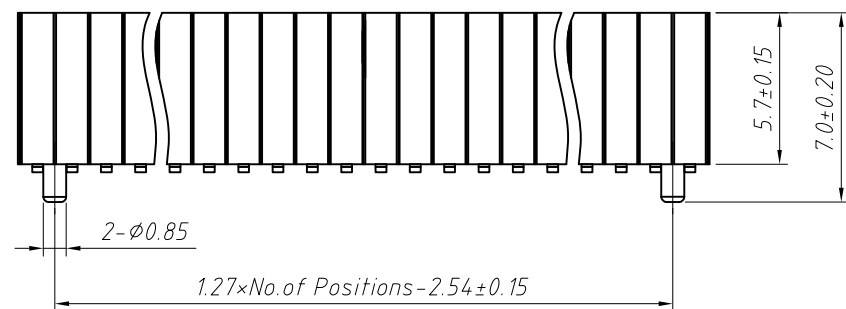
Electrical Characteristics:  
Rated Current: 1.0AMP  
Contact Resistance: 20mΩ Max  
Withstand Voltage: 500V AC/DC  
Insulator Resistance: 1000MΩ Min

Mechanical  
Operating Temperature: -40°C ~ +105°C  
Max. Processing Temp: 230°C for 30-60 seconds (260°C for 10 seconds)

Order Information:

L-KLS1-208D-5.7-2-XX-T-L1xL2-B-R

L: RoHS  
Pin Header Series  
208D: 1.27mm  
Plastics Height: 5.7mm  
Per Row: Double layer  
Pin: No. of Pins (02~80)  
SMT: T=Without Post, T3=With Post  
Size: L1xL2  
Material: B=PA6T C=LCP  
Packing:  
A=Tray T=Tube M=Reel+Mylar  
P=Tube+Cap R=Reel+Cap



Dimension antitheses list (mm)

ITEM	L1	L2	Plastic Height
Standard	6.00	6.80	5.70
Nonstandard	---	---	---

ANGLE TOLERANCE	PROJECTION	Description:
±3°		1.27mm Female Header Double layer, SMT Pin, 2xN Pin
GENERAL TOLERANCE	UNITS	mm
x.x ±0.30	SHEET SIZE	A4
x.xx ±0.20	Draw:	Daniel 2018-07-10
x.xxx ±0.10	Check:	Daniel 2018-07-10



NingBo KLS ELECTRONIC CO.,L TD.