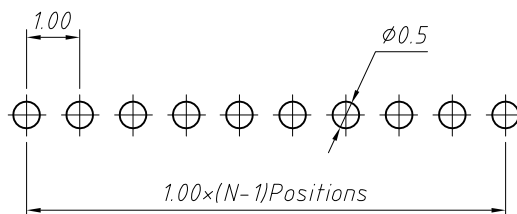
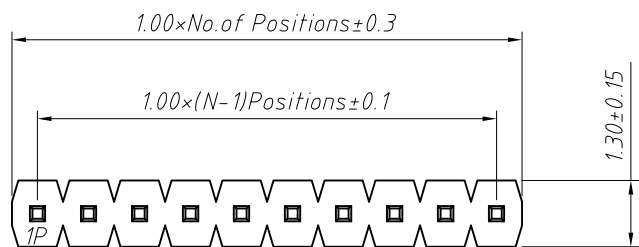


RoHS Compliance

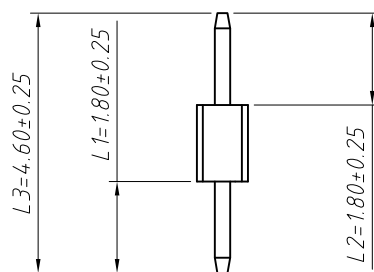
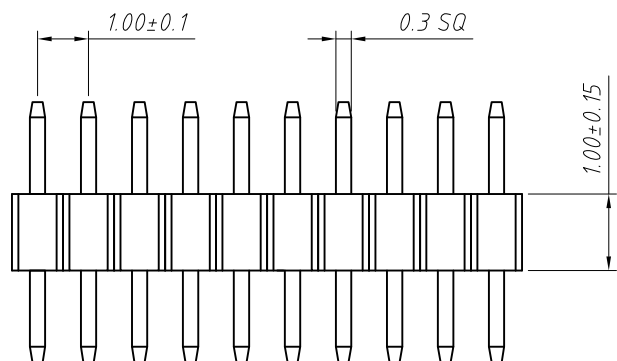


Recommended P.C.B Hole Layout

Material:  
Standard: PA6T  
Contact: Brass  
Insulator: Polyester, UL94V-0

Electrical Characteristics:  
Rated Current: 0.75AMP  
Contact Resistance: 30mΩ Max  
Withstand Voltage: 500V AC/DC  
Insulator Resistance: 1000MΩ Min

Mechanical  
Operating Temperature: -40°C ~ +105°C  
Max. Processing Temp: 230°C for 30-60 seconds  
(260°C for 10 seconds)



Order Information:

L-KLS1-207G-1.00-1-XX-S-L1xL2xL3-G0

L: RoHS  
Pin Header Series  
207G: 1.00mm  
Plastics Height  
1.00, 1.50mm  
Per Row: Single layer  
Pin: No. of Pins (1x50)  
Type: Straight Pin  
Size: L1xL2xL3  
Plating:  
G0=Gold Flash G1=1u" Gold  
G10=10u" Gold G15=15u" Gold  
G30=30u" Gold

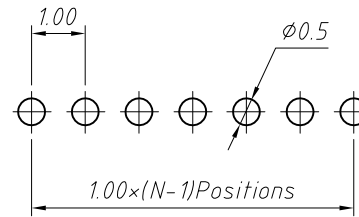
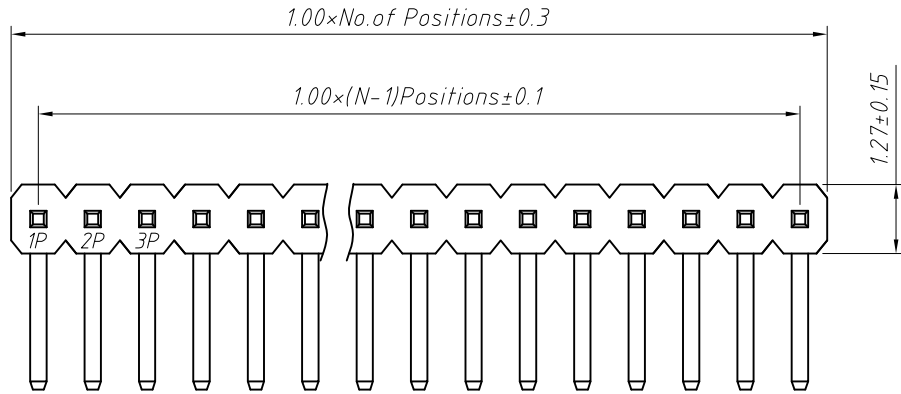
Dimension antitheses list (mm)

ITEM	L1	L2	L3	Plastic Height
Standard	1.80	1.80	4.60	1.00
Nonstandard	---	---	---	---

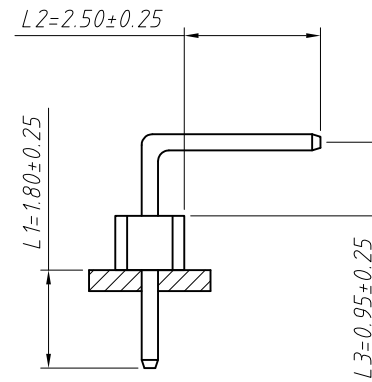
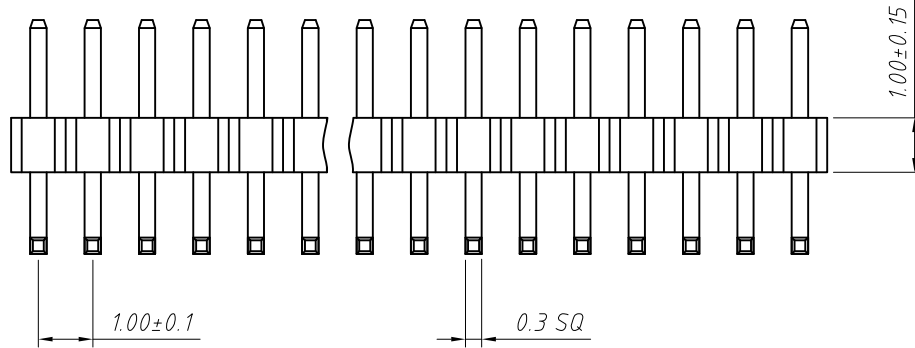
ANGLE TOLERANCE	PROJECTION	Description:	1.00mm Pin Header	
±3°		Single layer, Straight Pin, 1xN Pin		
GENERAL TOLERANCE	UNITS	mm	KLS P/N:	L-KLS1-207G-1.00-1-XX-S-L1xL2xL3-G0
x.x ±0.30	SHEET SIZE	A4		
x.xx ±0.20	Draw:	Daniel	2018-07-10	
x.xxx ±0.10	Check:	Daniel	2018-07-10	

NingBo KLS ELECTRONIC CO., L TD.

1 RoHS Compliance



Recommended P.C.B Hole Layout



R1 Type

Material:  
Standard:PA6T  
Contact: Brass  
Insulator:Polyester,UL94V-0

Electrical Characteristics:  
Rated Current: 0.75AMP  
Contact Resistance: 20mΩ Max  
Withstand Voltage: 500V AC/DC  
Insulator Resistance: 1000MΩ Min

Mechanical  
Operating Temperature: -40°C ~ +105°C  
Max.Processing Temp:230°C for 30-60 seconds  
(260°C for 10 seconds)

Order Information:  
L-KLS1-207G-1.00-1-XX-R1-L1xL2xL3-G0

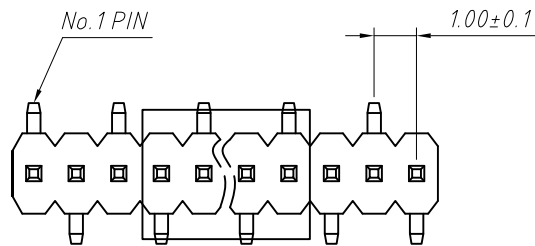
- L: RoHS
- Pin Header Series
- 207G: 1.00mm
- Plastics Height
- 1.00, 1.50mm
- Per Row:Single layer
- Pin: No. of Pins (1x50)
- Type:Right Angle Pin
- Size: L1xL2xL3
- Plating:
- G0=Gold Flash G1=1u" Gold
- G10=10u" Gold G15=15u" Gold
- G30=30u" Gold

Dimension antitheses list (mm)

ITEM	L1	L2	L3	Plastic Height
Standard	1.80	2.50	0.95	1.00
Nonstandard	---	---	---	---

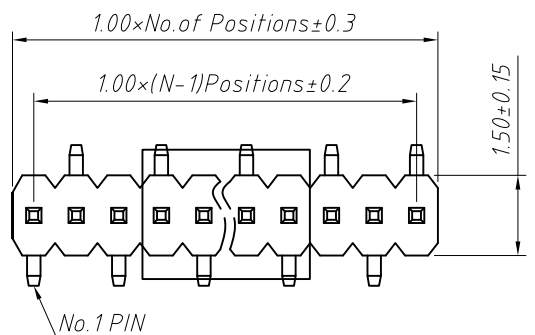
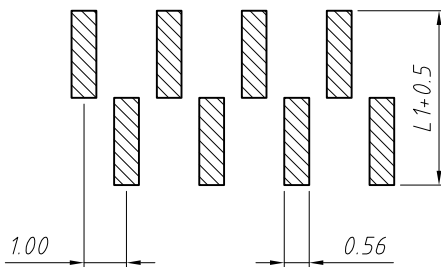
ANGLE TOLERANCE	PROJECTION	Description:	1.00mm Pin Header	
±3°		Single layer,Right Angle Pin,1xN Pin		
GENERAL TOLERANCE	UNITS	mm	KLS P/N:	L-KLS1-207G-1.00-1-XX-R1-L1xL2xL3-G0
x.x ±0.30	SHEET SIZE	A4		NingBo KLS ELECTRONIC CO.,LTD.
x.xx ±0.20	Draw:	Daniel	2018-07-10	
x.xxx ±0.10	Check:	Daniel	2018-07-10	

1 RoHS Compliance

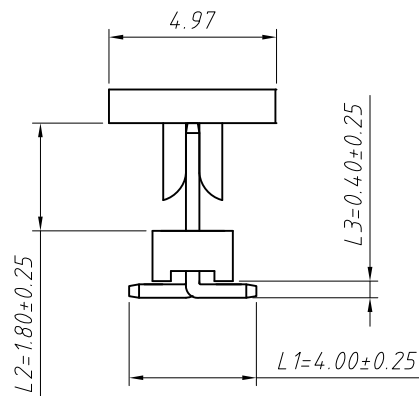
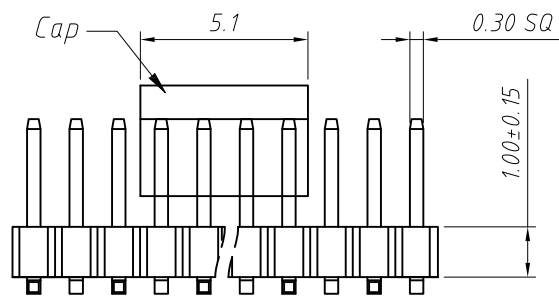
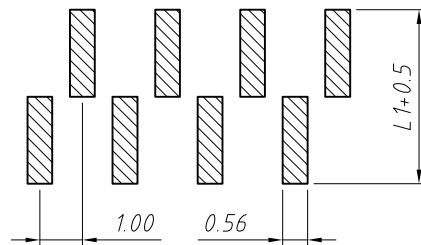


T1 Type

Recommended P.C.B Layout



T2 Type



Material:  
Standard:PA6T  
Contact: Brass  
Insulator:Polyester,UL94V-0

Electrical Characteristics:  
Rated Current: 0.75AMP  
Contact Resistance: 30mΩ Max  
Withstand Voltage: 500V AC/DC  
Insulator Resistance: 1000MΩ Min

Mechanical  
Operating Temperature: -40°C ~ +105°C  
Max.Processing Temp:230°C for 30-60 seconds  
(260°C for 10 seconds)

Order Information:

L-KLS1-207G-1.00-1-XX-T1-L1×L2×L3-G0

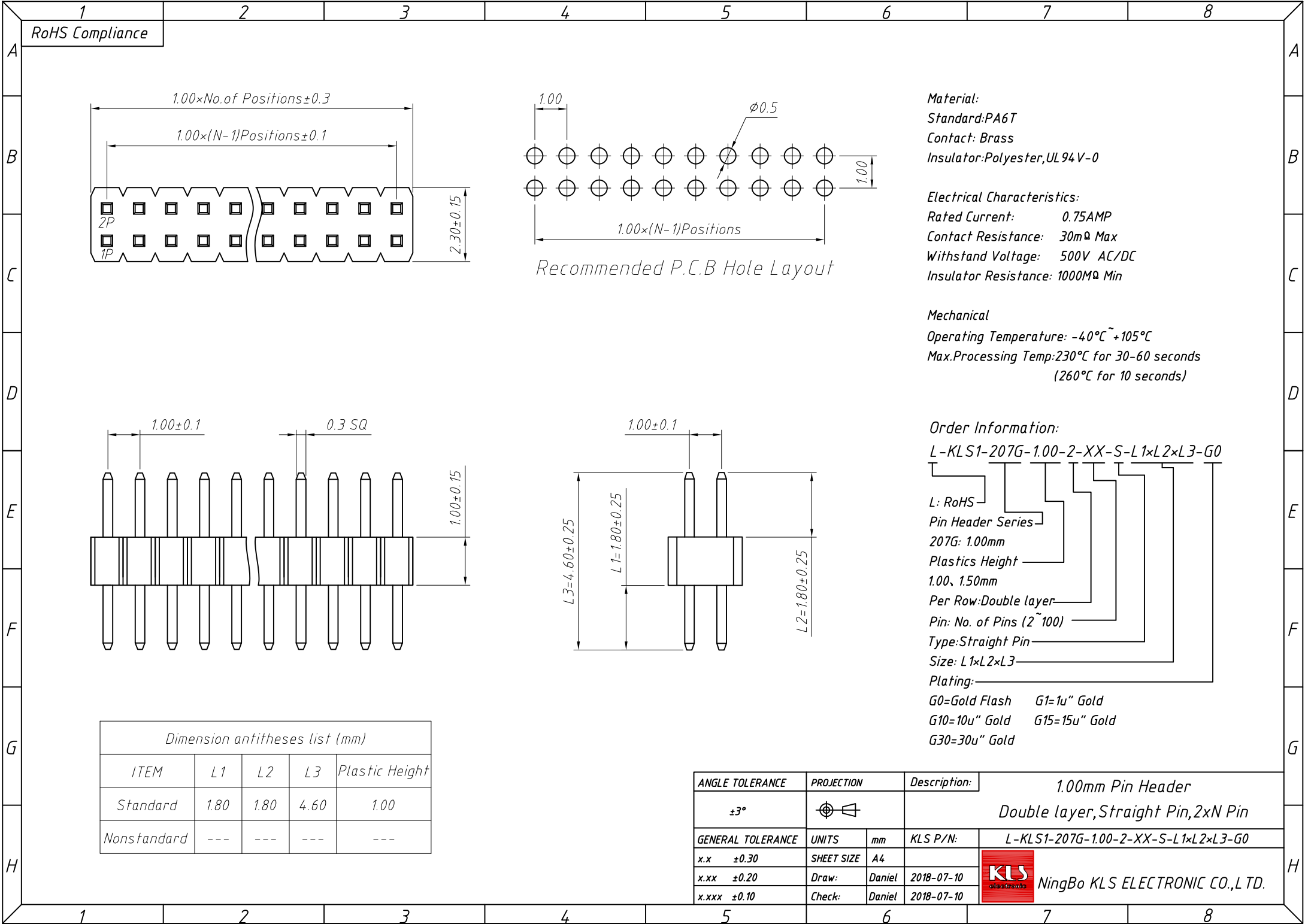
L: RoHS  
Pin Header Series  
207G:1.00mm  
Plastics Height:  
1.00, 1.50 mm  
Per Row:Single layer  
Pin: No. of Pins (1×50)  
SMT Pin:T1 Type, T2 Type  
Size: L1×L2×L3  
Plating:  
G0=Gold Flash    G1=1u" Gold  
G10=10u" Gold    G15=15u" Gold  
G30=30u" Gold

Dimension antitheses list (mm)

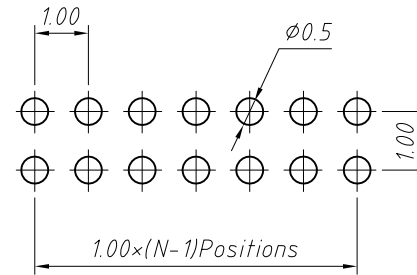
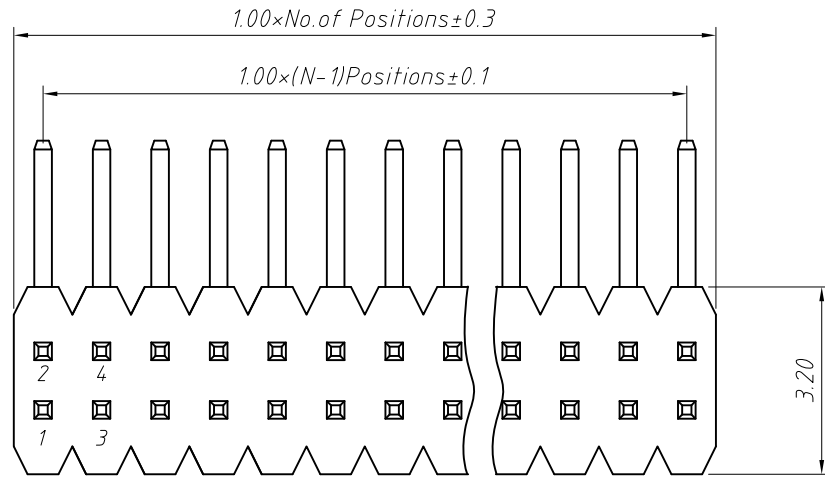
ITEM	L1	L2	L3	Plastic Height
Standard	4.00	1.80	0.40	1.00
Nonstandard	---	---	---	---

ANGLE TOLERANCE	PROJECTION	Description:	1.00mm Pin Header	
±3°		Single layer, SMT, 1xN Pin		
GENERAL TOLERANCE	UNITS	mm	KLS P/N:	L-KLS1-207G-1.00-1-XX-T1-L1×L2×L3-G0
x.x ±0.30	SHEET SIZE	A4		NingBo KLS ELECTRONIC CO.,L TD.
x.xx ±0.20	Draw:	Daniel	2018-07-10	
x.xxx ±0.10	Check:	Daniel	2018-07-10	

1  
RoHS Compliance



RoHS Compliance

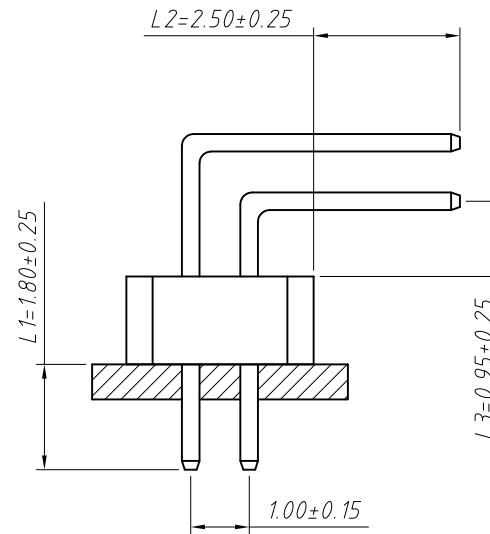
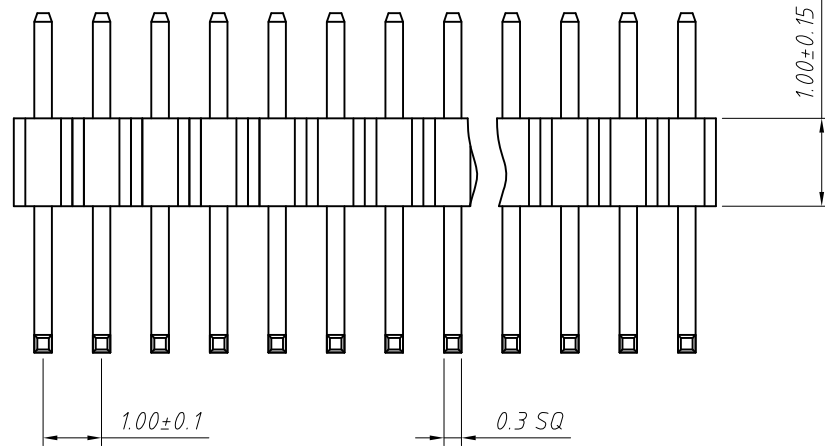


Recommended P.C.B Hole Layout

**Material:**  
 Standard: PA6T  
 Contact: Brass  
 Insulator: Polyester, UL94V-0

**Electrical Characteristics:**  
 Rated Current: 0.75AMP  
 Contact Resistance: 20mΩ Max  
 Withstand Voltage: 500V AC/DC  
 Insulator Resistance: 1000MΩ Min

**Mechanical**  
 Operating Temperature: -40°C ~ +105°C  
 Max. Processing Temp: 230°C for 30-60 seconds  
 (260°C for 10 seconds)



R2 Type

**Order Information:**  
 L-KLS1-207G-1.00-2-XX-R2-L1xL2xL3-G0

L: RoHS  
 Pin Header Series  
 207G: 1.00mm  
 Plastics Height  
 1.00, 1.50mm  
 Per Row: Double layer  
 Pin: No. of Pins (2~100)  
 Type: Right Angle Pin  
 Size: L1xL2xL3  
 Plating:  
 G0=Gold Flash    G1=1u" Gold  
 G10=10u" Gold    G15=15u" Gold  
 G30=30u" Gold

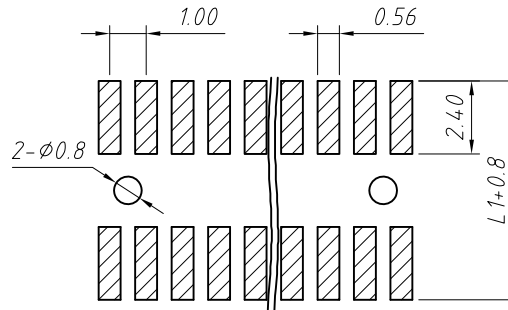
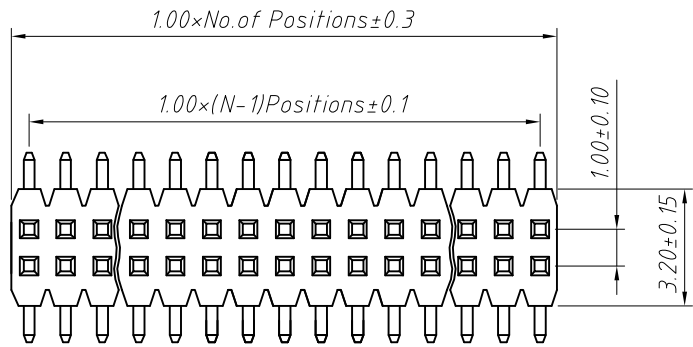
Dimension antitheses list (mm)

ITEM	L1	L2	L3	Plastic Height
Standard	1.80	2.50	0.95	1.00
Nonstandard	---	---	---	---

ANGLE TOLERANCE	PROJECTION	Description:	1.00mm Pin Header	
±3°		Double layer, Right Angle Pin, 2xN Pin		
GENERAL TOLERANCE	UNITS	mm	KLS P/N:	L-KLS1-207G-1.00-2-XX-R2-L1xL2xL3-G0
x.x ±0.30	SHEET SIZE	A4		
x.xx ±0.20	Draw:	Daniel	2018-07-10	
x.xxx ±0.10	Check:	Daniel	2018-07-10	

**NingBo KLS ELECTRONIC CO.,LTD.**

RoHS Compliance

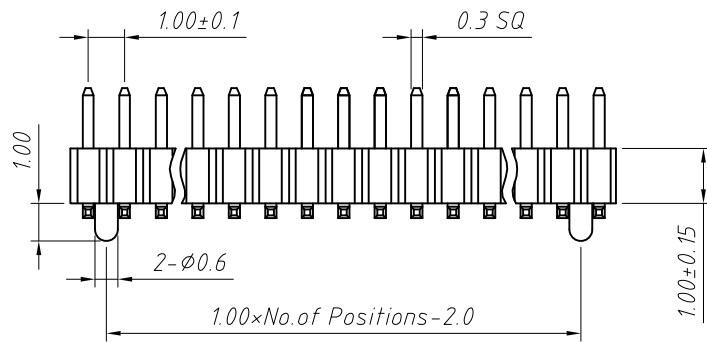


Recommended P.C.B Hole Layout

**Material:**  
 Standard: PA6T  
 Contact: Brass  
 Insulator: Polyester, UL94V-0

**Electrical Characteristics:**  
 Rated Current: 0.75AMP  
 Contact Resistance: 30mΩ Max  
 Withstand Voltage: 500V AC/DC  
 Insulator Resistance: 1000MΩ Min

**Mechanical**  
 Operating Temperature: -40°C ~ +105°C  
 Max. Processing Temp: 230°C for 30-60 seconds  
 (260°C for 10 seconds)

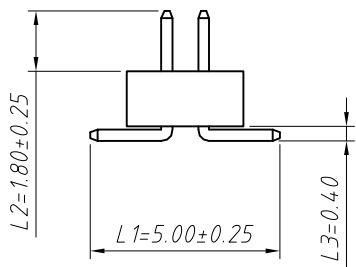


Dimension antitheses list (mm)				
ITEM	L1	L2	L3	Plastic Height
Standard	5.00	1.80	0.40	1.00
Nonstandard	---	---	---	---

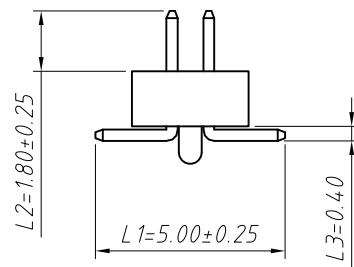
**Order Information:**

L-KLS1-207G-1.00-2-XX-T-L1xL2xL3-G0

L: RoHS  
 Pin Header Series  
 207G: 1.00mm  
 Plastics Height  
 1.00, 1.50mm  
 Per Row: Double layer  
 Pin: No. of Pins (2 ~ 100)  
 Post: T3=With Post T=W/O Post  
 Size: L1xL2xL3  
 Plating:  
 G0=Gold Flash G1=1u" Gold  
 G10=10u" Gold G15=15u" Gold  
 G30=30u" Gold



T=W/O Post



T3=With Post

ANGLE TOLERANCE	PROJECTION	Description:	1.00mm Pin Header	
±3°		Double layer, SMT Pin, 2xN Pin		
GENERAL TOLERANCE	UNITS	mm	KLS P/N:	L-KLS1-207G-1.00-2-XX-T-L1xL2xL3-G0
x.x ±0.30	SHEET SIZE	A4		
x.xx ±0.20	Draw:	Daniel	2018-07-10	
x.xxx ±0.10	Check:	Daniel	2018-07-10	

NingBo KLS ELECTRONIC CO., L.TD.