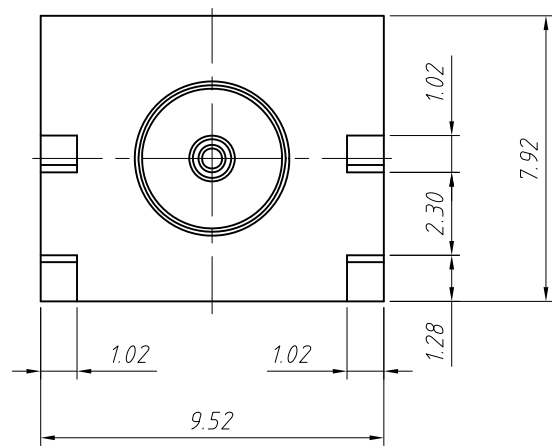
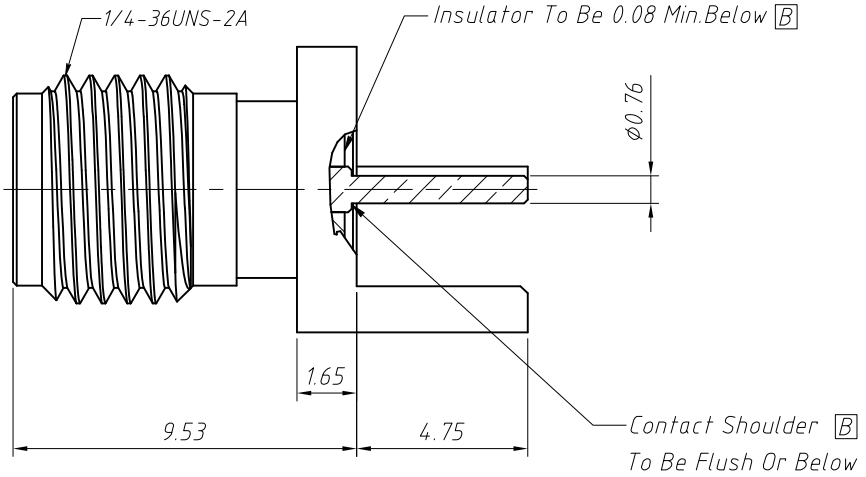
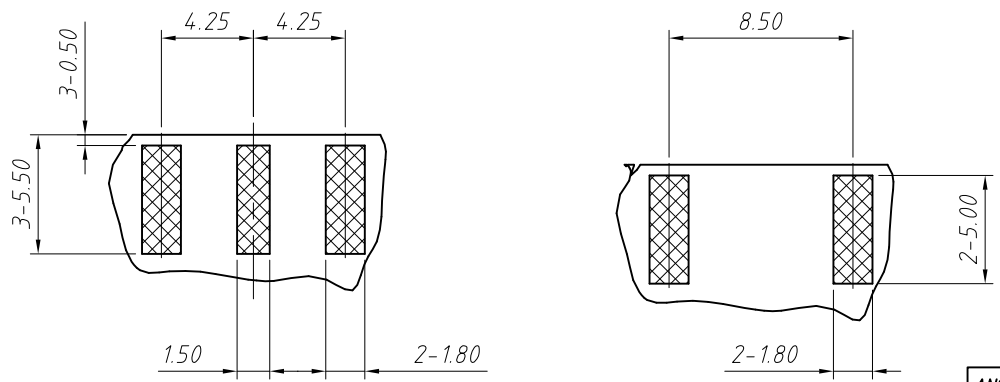


1 RoHS Compliance



**Material:**  
 1. Body: Brass, Gold Plating  
 2. Insulator: PTFE, Neutral  
 3. Contact Pin: Ber. Copper, Gold Plating

**Electrical Specifications:**  
 1. Impedance: 50Ω  
 2. Frequency Range: DC-18GHz  
 3. VSWR: Not Applicable  
 4. Dielectric Withstanding Voltage: 1000 vrms Min  
 5. Durability: 500 Cycles Min.  
 6. Temperature Range: -65°C to +165°C  
 7. Contact Pin Must Withstand 6 LBS Min.  
 Axial In Both Directions And 4 IN-OZ Min.  
 Radial Force  
 8. Board Thickness=0.81mm



TOP VIEW RECOMMENDED PCB LAYOUT BOTTOM VIEW

ANGLE TOLERANCE	PROJECTION	Description:	RF Connector SMA PCB End Launch Jack Female 50Ω
±3°			
GENERAL TOLERANCE	UNITS	mm	KLS P/N: L-KLS1-SMA062
x.x ±0.30	SHEET SIZE	A4	NingBo KLS ELECTRONIC CO.,LTD.
x.xx ±0.20	Draw:	Daniel 2020-11-11	
x.xxx ±0.10	Check:	Daniel 2020-11-11	