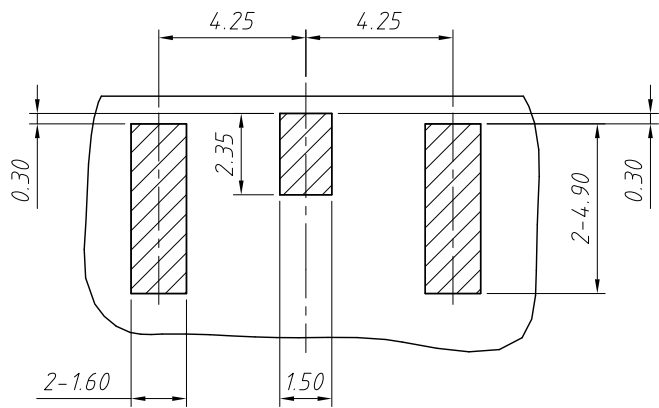
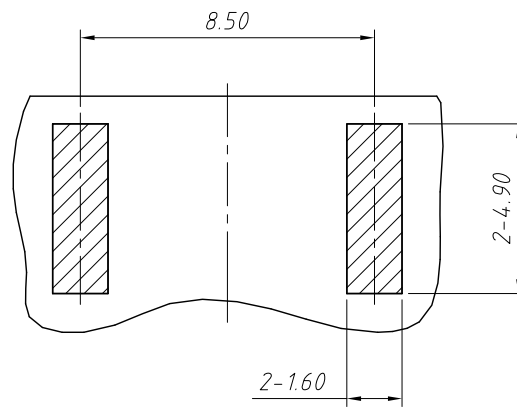


1
RoHS Compliance



TOP VIEW

RECOMMENDED PCB LAYOUT



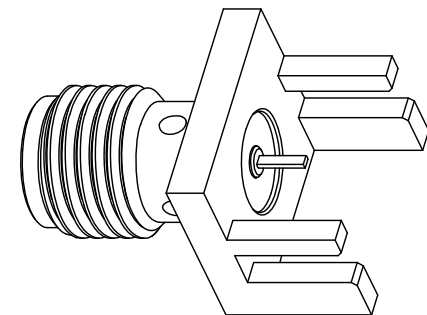
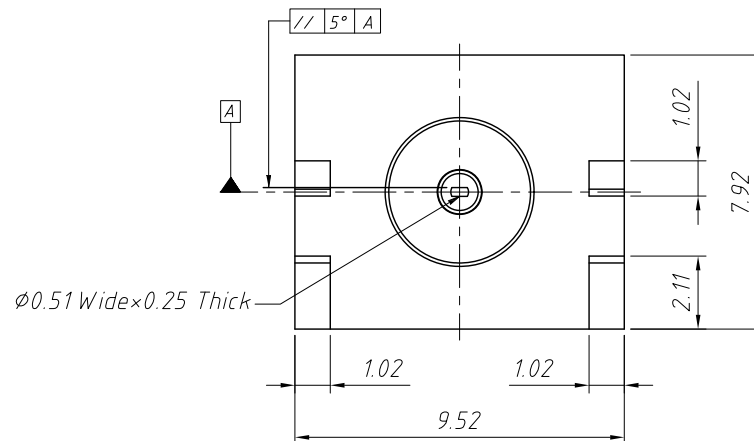
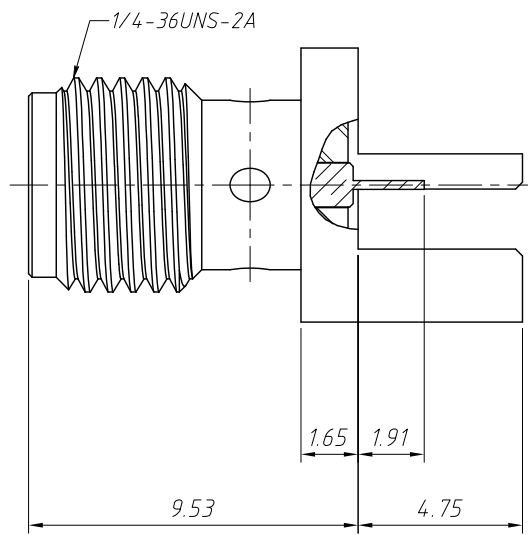
BOTTOM VIEW

Material:

- 1.Body:Brass,Gold Plating
- 2.Insulator:PTFE,Neutral
- 3.Contact Pin:Ber.Copper,Gold Plating

Electrical Specifications:

- 1.Impedance:50Ω
- 2.Frequency Range:DC-18GHz
- 3.VSWR:1.3 Max
- 4.Dielectric Withstanding Voltage:1000 VRMS Min
- 5.Durability:100 Cycles Min.
- 6.Temperature Range:- 65°C to +165°C
- 7.Board Thickness=1.57mm



ANGLE TOLERANCE	PROJECTION	Description:	RF Connector SMA PCB End Launch Jack Female 50Ω	
±3°				
GENERAL TOLERANCE	UNITS	mm	KLS P/N: L-KLS1-SMA065	
x.x ±0.30	SHEET SIZE	A4	NingBo KLS ELECTRONIC CO.,L TD.	
x.xx ±0.20	Draw:	Daniel		2020-11-11
x.xxx ±0.10	Check:	Daniel		2020-11-11