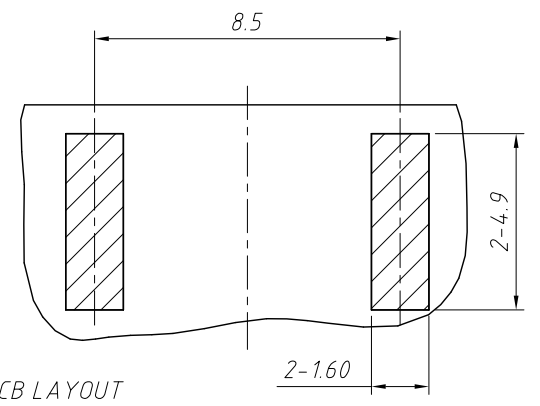
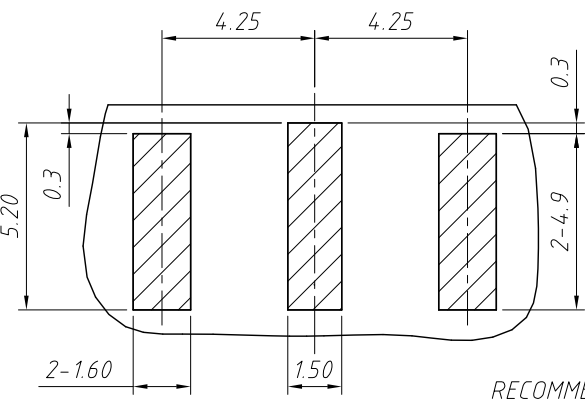
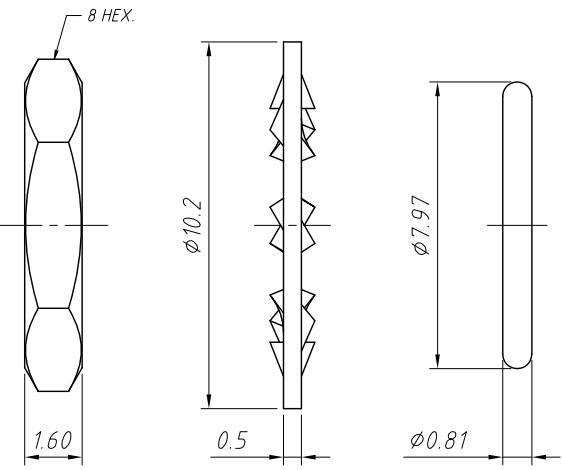
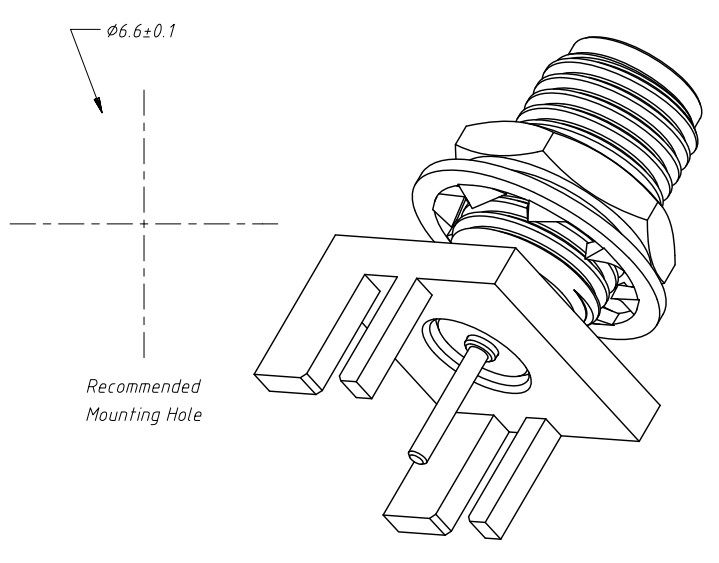
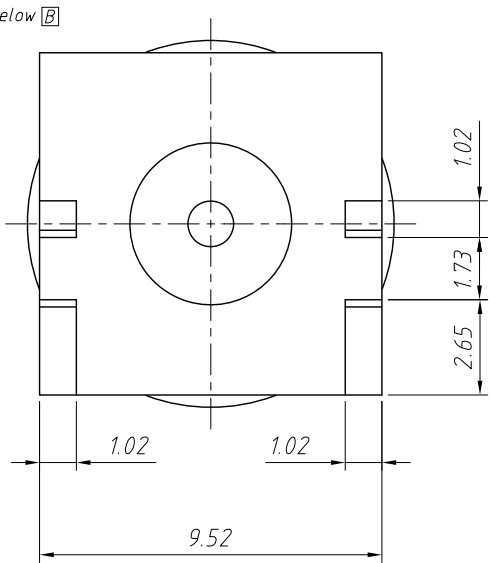
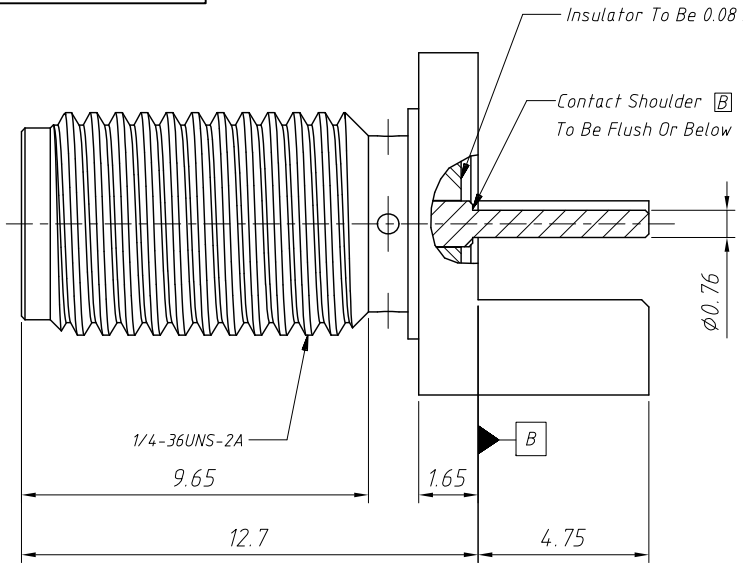


1 RoHS Compliance



TOP VIEW

BOTTOM VIEW

- Material:**
- 1.Body:Brass,Gold Plating
  - 2.Insulator:PTFE,Neutral
  - 3.Contact Pin:Ber.Copper,Gold Plating
  - 4.Hex Nut:Brass,Gold Plating
  - 5.Lock Washer:Brass,Gold Plating
  - 6.O-Ring:Silicone Rubber,Red

- Electrical Specifications:**
- 1.Impedance:50Ω
  - 2.Frequency Range:DC-18GHz
  - 3.Dielectric Withstanding Voltage:1000 vrms Min
  - 5.Durability:500 Cycles Min.
  - 6.Temperature Range:- 65°C to +165°C
  - 7.Contact Pin Must Withstand 6 LBS Min . Axial In Both Directions And 4 IN-OZ Min . Radial Force
  - 8.Board Thickness=1.57mm
  - 9.Max.Panel Thickness=3.5mm

ANGLE TOLERANCE	PROJECTION	Description:	RF Connector SMA PCB End Launch Jack Female 50Ω	
±3°				
GENERAL TOLERANCE	UNITS	mm	KLS P/N:	L-KLS1-SMA069
x.x ±0.30	SHEET SIZE	A4		
x.xx ±0.20	Draw:	Daniel	2020-11-11	NingBo KLS ELECTRONIC CO.,L TD.
x.xxx ±0.10	Check:	Daniel	2020-11-11	