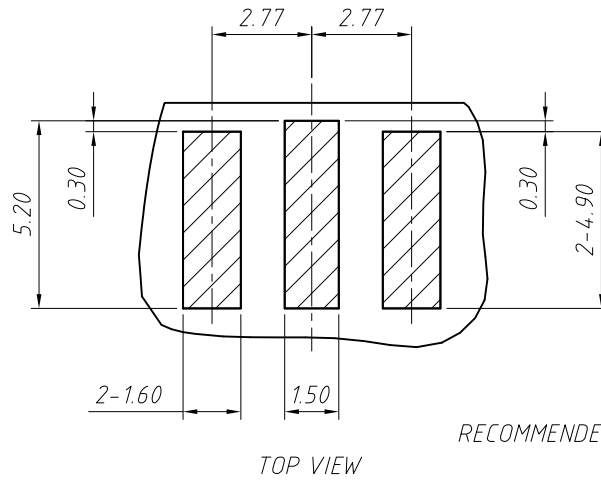
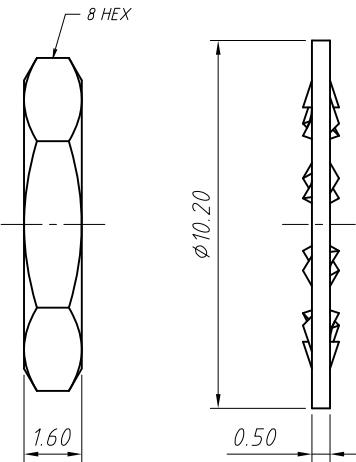
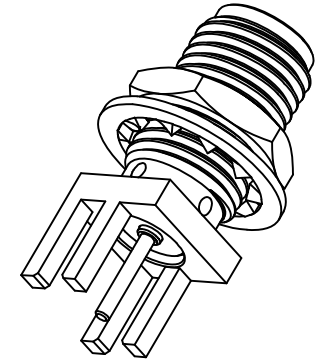
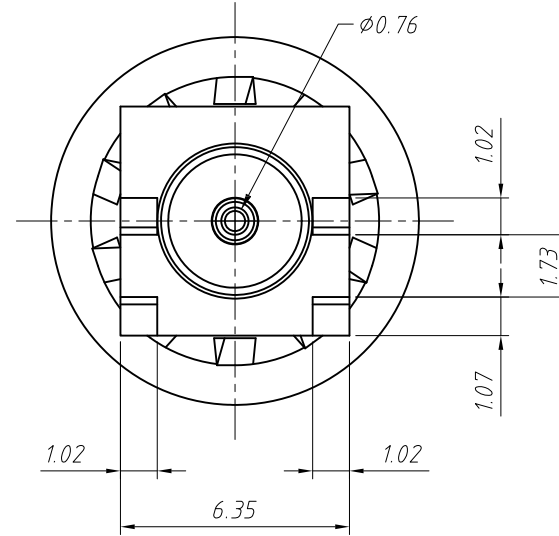
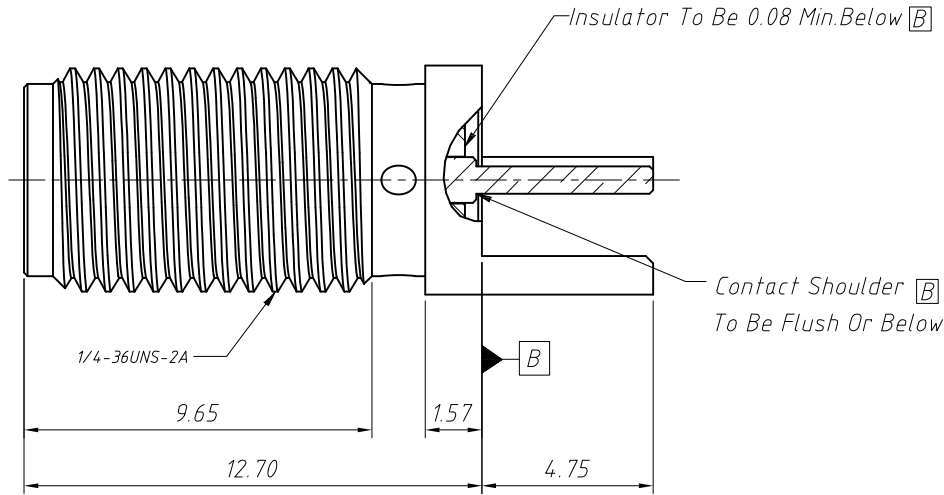
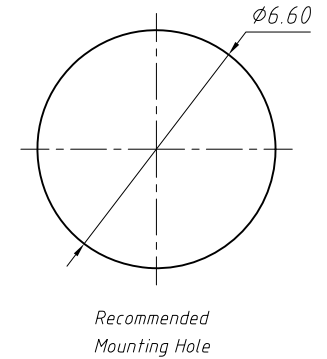
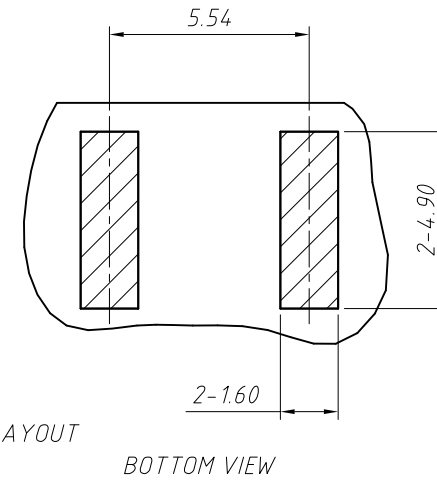


RoHS Compliance



RECOMMENDED PCB LAYOUT



Material:

1. Body: Brass, Gold Plating
2. Insulator: PTFE, Neutral
3. Contact Pin: Ber. Copper, Gold Plating
4. Hex Nut: Brass, Gold Plating
5. Lock Washer: Brass, Gold Plating

Electrical Specifications:

1. Frequency Range: DC 0-18GHz
2. Dielectric Withstanding Voltage: 1000 vrms Min
3. Durability: 500 Cycles Min.
4. Temperature Range: -65°C to +165°C
5. Contact Pin Must Withstand 6 LBS Min. Axial In Both Directions And 4 IN-OZ Min. Radial Force
6. Board Thickness = 1.57mm
7. Max. Panel Thickness = 3.5mm

ANGLE TOLERANCE	PROJECTION	Description:	RF Connector SMA PCB End Launch Jack Female 50Ω
±3°			
GENERAL TOLERANCE	UNITS	mm	KLS P/N: L-KLS1-SMA070
x.x ±0.30	SHEET SIZE	A4	
x.xx ±0.20	Draw:	Daniel	2020-11-11
x.xxx ±0.10	Check:	Daniel	2020-11-11



NingBo KLS ELECTRONIC CO., L TD.