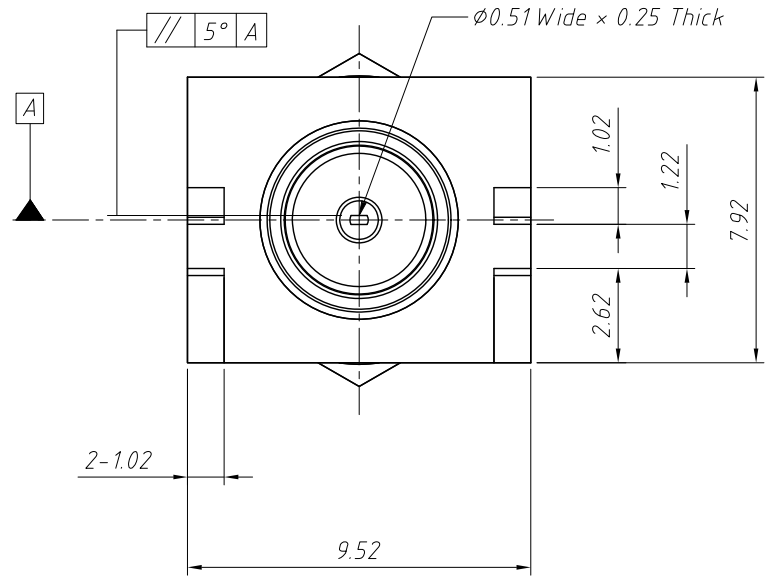
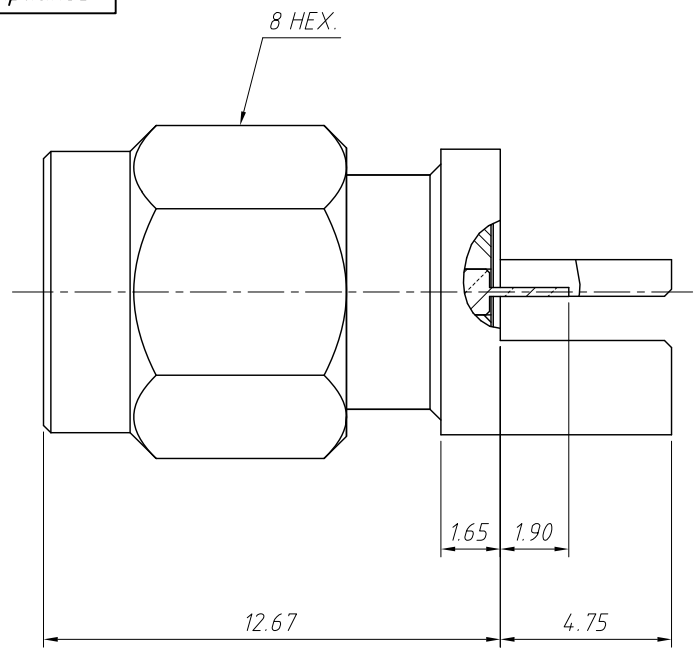


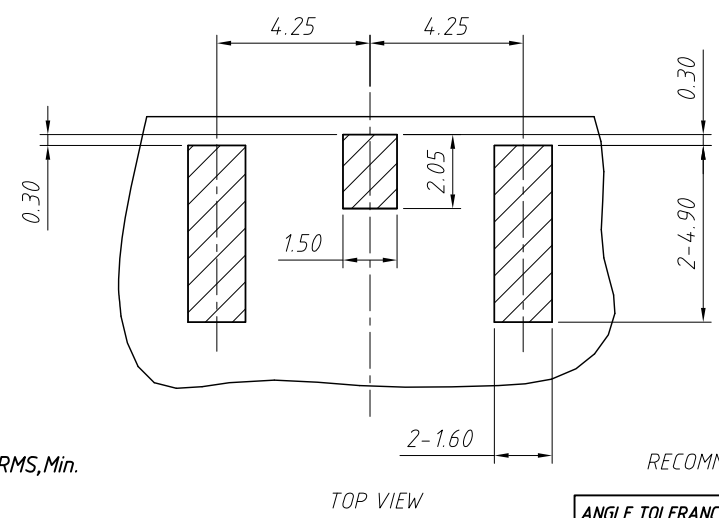
1
RoHS Compliance



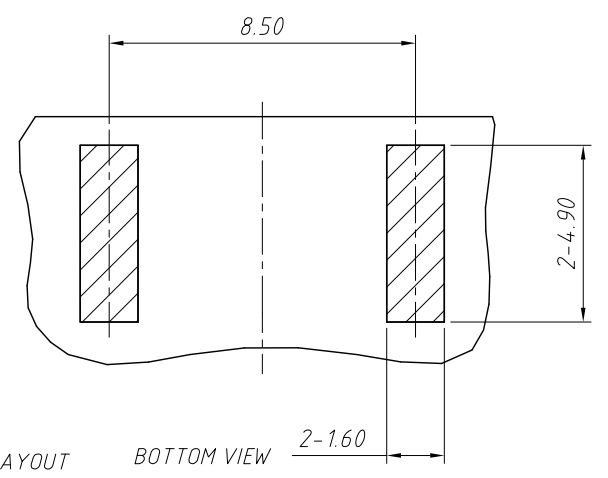
Material:
 Body: Brass, Gold Plating
 Contact Pin: Brass, Gold Plating
 Insulator: PTFE, Natural
 Retainer Ring: SUS 304, Natural
 Gasket: Silicone, Red
 Shell: Brass, Gold Plating
 Ring: Brass, Gold Plating

Electrical:
 Impedance: 50Ω
 Frequency Range: DC 0-18 GHz
 Dielectric Withstanding Voltage: 1000 VRMS, Min.


Mechanical:
 Durability: 500 Cycles Min.
 Temperature Range: -65°C to +165°C



RECOMMENDED PCB LAYOUT



BOTTOM VIEW

ANGLE TOLERANCE	PROJECTION	Description:	SMA PCB End Launch Str PL 50Ω
±3°			0.042 (Plug, Male) L17.4mm
GENERAL TOLERANCE	UNITS	mm	KLS P/N: L-KLS1-SMA088
x.x ±0.30	SHEET SIZE	A4	 NingBo KLS ELECTRONIC CO.,LTD.
x.xx ±0.20	Draw:	Daniel 2020-11-11	
x.xxx ±0.10	Check:	Daniel 2020-11-11	