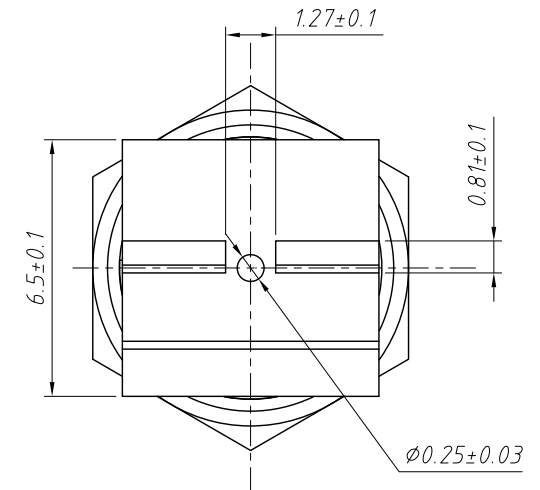
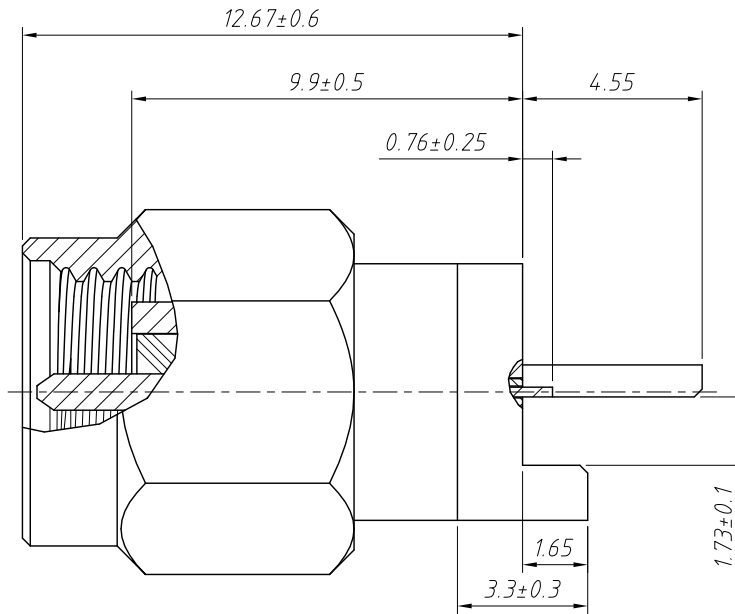
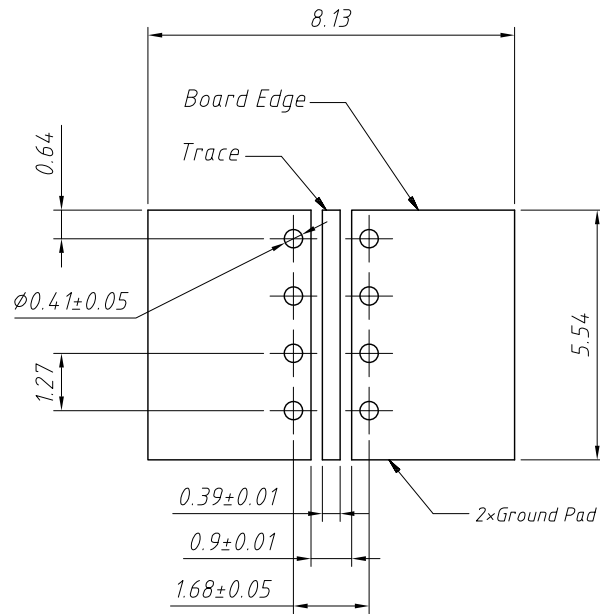


1
RoHS Compliance



Material:

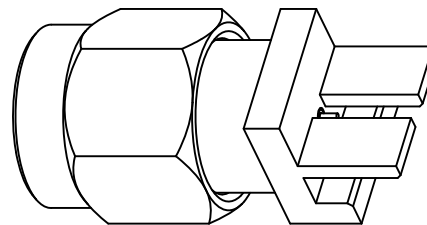
Body: Brass, Gold Plating
Contact Pin: Ber. Copper, Gold Plating
Insulator: PTFE
Retainer Ring: SUS 304, Natural
Gasket: Silicon Rubber, Red
Shell: Brass, Gold Plating

Electrical:

Impedance: 50Ω
Frequency Range: DC-26.5 GHz
VSWR: 1.05 + 0.02 f (GHz) Max.
@ 0-18 GHz 1.5 Max. @ 18-26.5 GHz
Working Voltage: 750 VRMS Min, Typ.
D.W.V: 500 VRMS, Max At Sea Level

Mechanical:

Durability: 500 Cycles Min.
Temperature Range: -65°C to +165°C



ANGLE TOLERANCE	PROJECTION	Description:	SMA PCB End Launch Pl 50Ω High Freq (Plug, Male) L17.4mm	
±3°				
GENERAL TOLERANCE	UNITS	mm	KLS P/N:	L-KLS1-SMA089
x.x ±0.30	SHEET SIZE	A4		
x.xx ±0.20	Draw:	Daniel	2020-11-11	 NingBo KLS ELECTRONIC CO.,L TD.
x.xxx ±0.10	Check:	Daniel	2020-11-11	