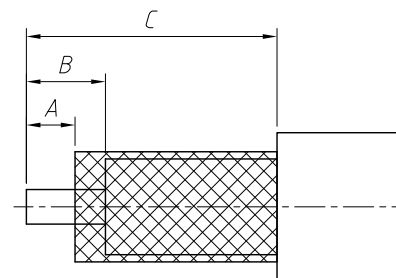
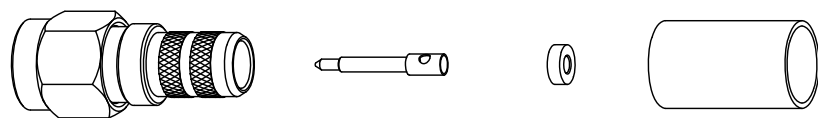
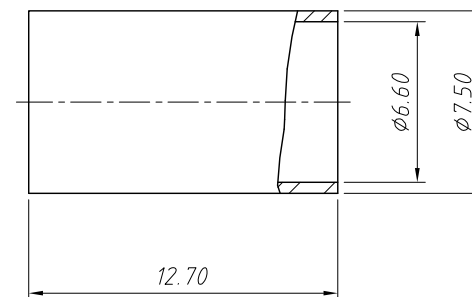
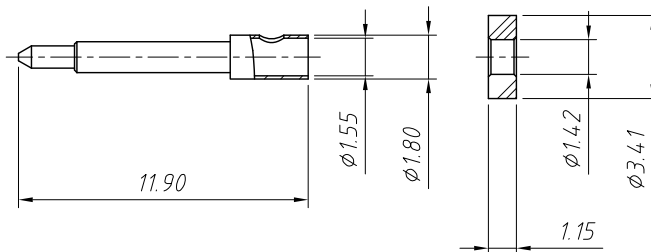
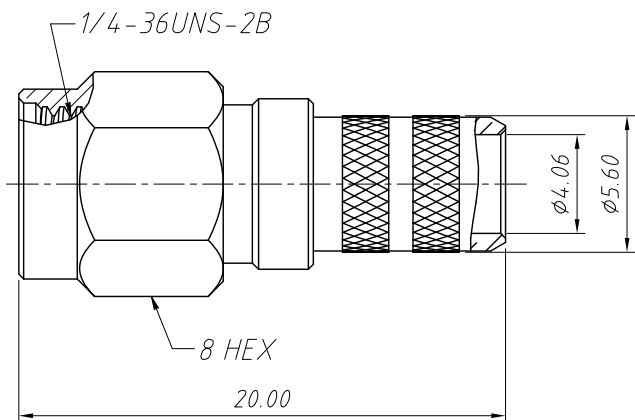
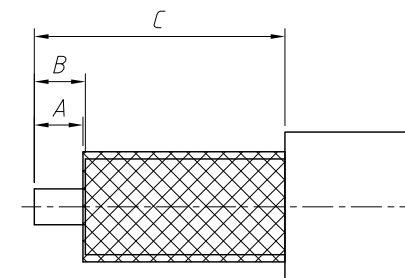


1 RoHS Compliance



LMR-240



RG-8/X

**Electrical:**  
 Impedance:50Ω  
 Frequency Range:0-12.4 GHz  
 Dielectric Withstanding Voltage:1000 VRMS . Min

**Mechanical:**  
 Durability:500 Cycles Min.  
 Temperature Range:-65°C to +165°C

Crimped Ferrule HEX Crimp Size  
 Contact Pin To Solder  
 See Table A For Recommended Cable Stripping Dimensions

**Material:**  
 Shell:Brass,Gold Plating  
 Gasket:Silicon Rubber,Red  
 Retainer Ring:SUS 304 ,Natural  
 Insulator:PTFE,Natural  
 Body:Brass,Gold Plating  
 Contact Pin:Brass,Gold Plating  
 Spacer:PTFE,Natural  
 Ferrule:Brass,Gold Plating

Table A

Cable TYPE	Dimension A	Dimension B	Dimension C	Spacer Required
LMR-240	2.00	3.25	10.3	Yes
RG-8/X	2.00	2.10	10.3	No

ANGLE TOLERANCE	PROJECTION	Description:	SMA Cable Connector Straight (Plug, Male,50Ω)
±3°			
GENERAL TOLERANCE	UNITS	mm	KLS P/N: L-KLS1-SMA095
x.x ±0.30	SHEET SIZE	A4	NingBo KLS ELECTRONIC CO.,L TD.
x.xx ±0.20	Draw:	Daniel	
x.xxx ±0.10	Check:	Daniel	