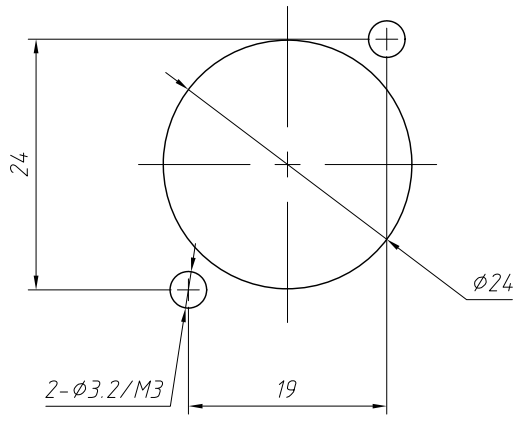
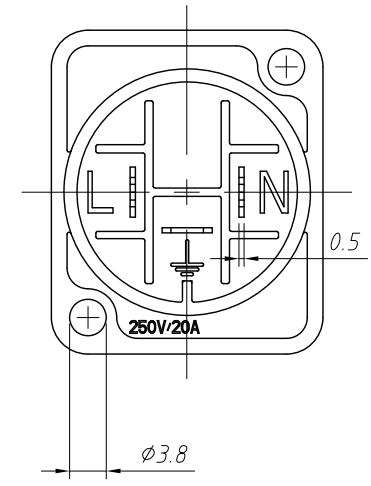
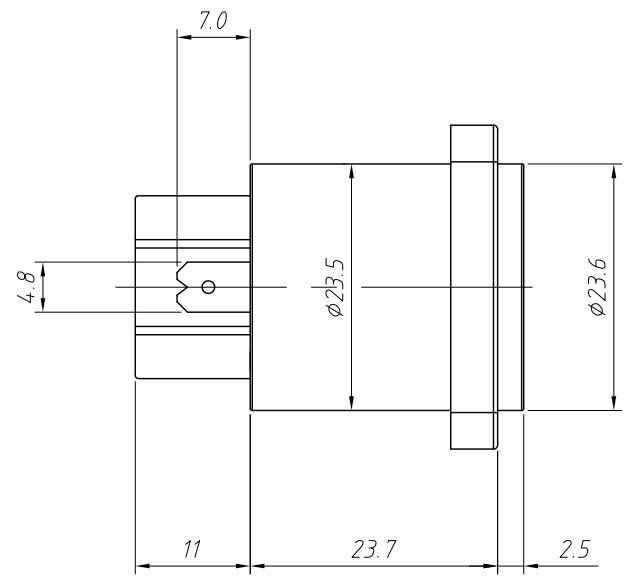
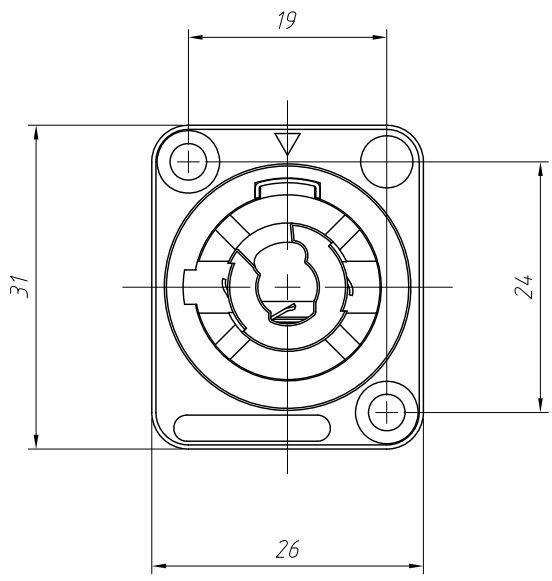


1
RoHS Compliance



Mounting Hole Dimensions

- Electrical:**
- 1.Voltage Rating: 250VAC
 - 2.Current Rating: 20A Max.
 - 3.Contact Resistance: 30m Ω Max.
 - 4.Insulation Resistance: 1000M Ω Min.
 - 5.Withstanding Resistance :1000VAC Min.

- Mechanical:**
- 1.Durability: 1000 cycles Min.

Order Information:
 L-KLS1-SL S-0702-02-BL
 L: RoHS
 speakON series
 Type: S-Socket P-Plug
 Order Number
 No. of 02 pins
 Color:BL-Blue

ANGLE TOLERANCE	PROJECTION	Description:	
$\pm 3^\circ$		2+PE AC PowerCON Blue Socket	
GENERAL TOLERANCE	UNITS	mm	KLS P/N:
x.x ± 0.30	SHEET SIZE	A4	1 / 1 page
x.xx ± 0.20	Draw:	Daniel	2021-08-28
x.xxx ± 0.10	Check:	Daniel	2021-08-28



NingBo KLS ELECTRONIC CO.,LTD.