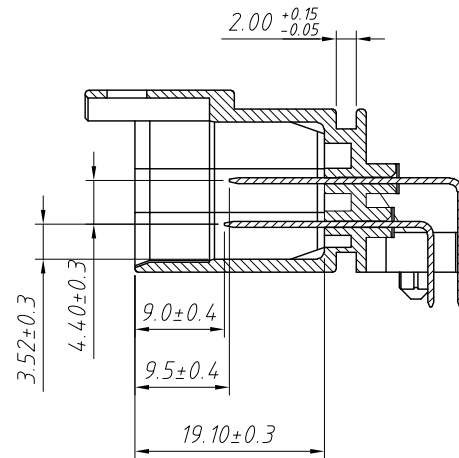
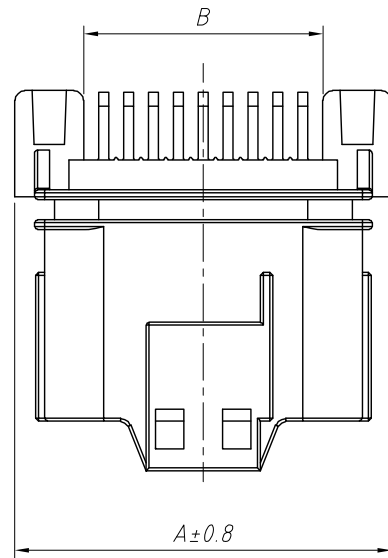
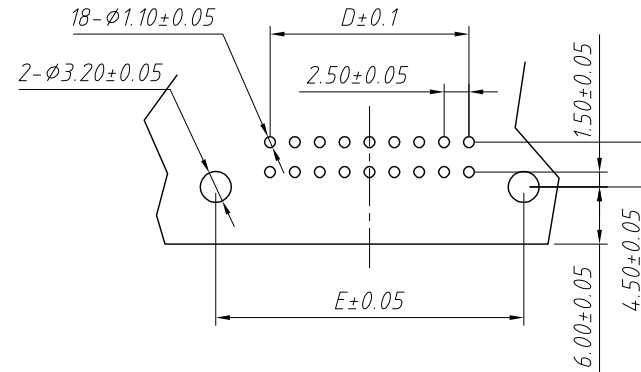


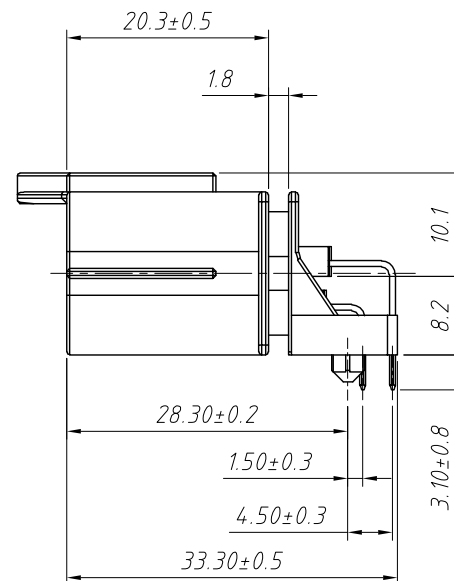
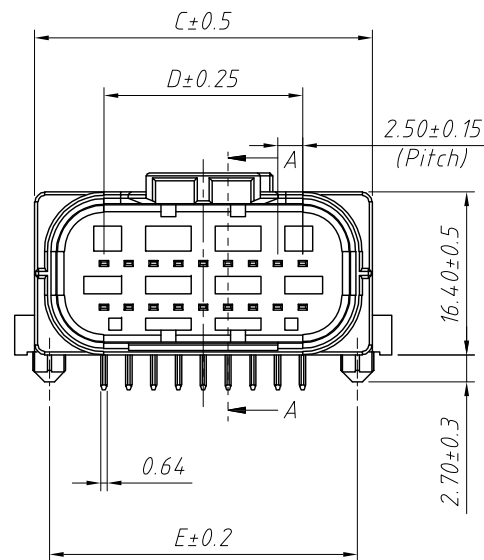
1 RoHS Compliance



SEC A-A SCALE 1:1



Order Information:
 L-KLS13-CF001-XX R T B
 L: RoHS
 Serial number
 XX-No. of pins
 12Pin/18Pin/26Pin/34Pin
 Type:R-Right angle
 Plating:T-Tin Plated
 Color:B- Black



Material:
 Insulator Housing: Polybutylene Terephthalate (PBT), Glass Filled;Black
 Contact : Brass, Tin plated

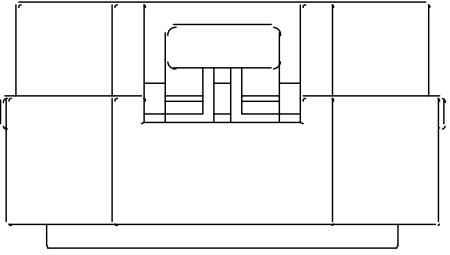
Pins	A	B	C	D	E
12	30.50	16.50	26.5	12.50	23.50
18	38.00	24.00	34.00	20.00	31.00
26	48.00	34.00	44.00	30.00	41.00
34	58.00	44.00	54.00	40.00	51.00

Specifications
 Current Rating:3.0A
 Contact resistance:10mΩ Max.
 Insulation resistance:100MΩ Min.
 Withstanding voltage:1000V AC r.m.s for 1 minute
 Rated Life: 50 cycles
 Waterproof: IP67
 Operating Temperature:-40°C ~ 125°C

ANGLE TOLERANCE	PROJECTION	Description:
±3°		JAE MX23A 1.0 Series Waterproof Pin Connector
GENERAL TOLERANCE	UNITS	mm
x.x ±0.40	SHEET SIZE	A4
x.xx ±0.10	Draw:	Daniel 2020-11-11
x.xxx ±0.05	Check:	Daniel 2020-11-11

NingBo KLS ELECTRONIC CO.,L TD.

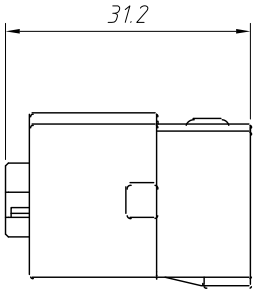
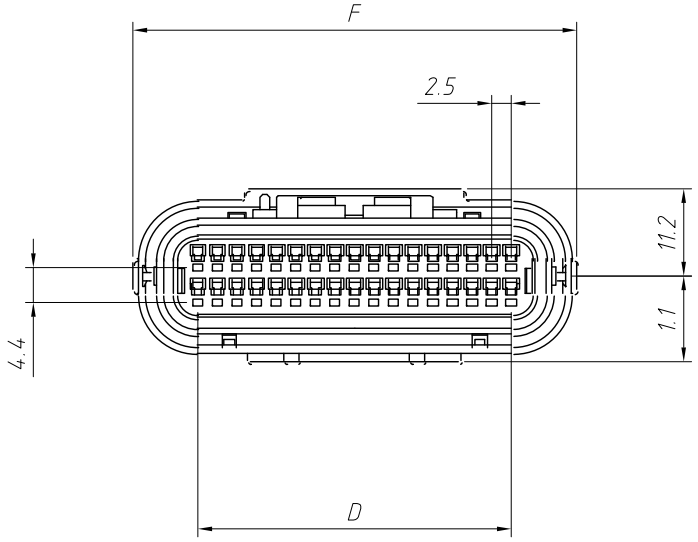
1
RoHS Compliance



Pins	D	F
12	12.50	29.10
18	20.00	36.60
26	30.00	46.60
34	40.00	56.60

Material:
Insulator Housing: Polybutylene Terephthalate (PBT), Glass Filled;Black

Specifications
Current Rating:3.0A
Contact resistance:10mΩ Max.
Insulationresistance:100MΩ Min.
Withstanding voltage:1000V AC r.m.s for 1 minute
Rated Life: 50 cycles
Waterproof: IP67
Operating Temperature:-40°C ~ 125°C

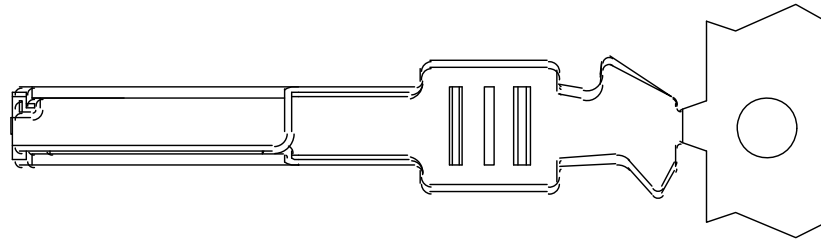


Order Information:
L-KLS13-CF001-XX H B

L: RoHS
Serial number
XX-No. of pins
12Pin/18Pin/26Pin/34Pin
Type:H-Housing
Color:B- Black

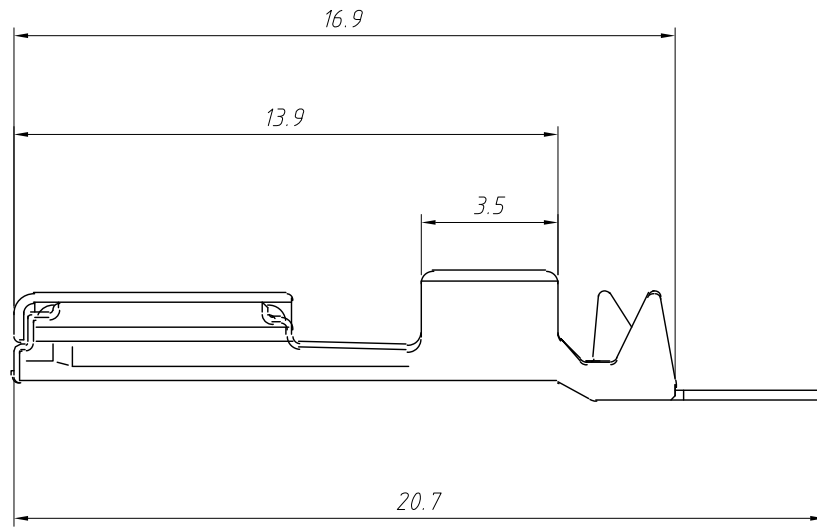
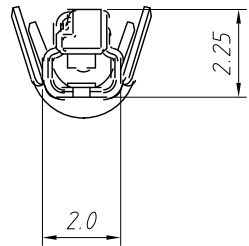
ANGLE TOLERANCE	PROJECTION	Description:	JAE MX23A 1.0 Series Socket Housing	
±3°				
GENERAL TOLERANCE	UNITS	mm	KLS P/N: L-KLS13-CF001-HB	
x.x ±0.40	SHEET SIZE	A4	NingBo KLS ELECTRONIC CO.,L TD.	
x.xx ±0.10	Draw:	Daniel		2020-11-11
x.xxx ±0.05	Check:	Daniel		2020-11-11

1
RoHS Compliance



Material:
 Terminal : Brass, Tin plated
 Cable type: AVSS, AVS (partially)
 Conductive area: 0.3 to 1.25mm²
 A.W.G No.: #22 to #16
 Sheath diameter: 1.6dia. to 2.2dia. mm

Specifications
 Current Rating: 3.0A
 Contact resistance: 10mΩ Max.
 Insulation resistance: 100MΩ Min.
 Withstanding voltage: 1000V AC r.m.s for 1 minute
 Rated Life: 50 cycles
 Waterproof: IP67
 Operating Temperature: -40°C ~ 125°C



Order Information:
 L-KLS13-CF001-T
 L: RoHS
 Serial number
 Type: T-Terminal

ANGLE TOLERANCE	PROJECTION	Description:		
±3°		JAE MX23A 1.0 Series Terminal		
GENERAL TOLERANCE	UNITS	mm	KLS P/N:	L-KLS13-CF001-T
x.x ±0.40	SHEET SIZE	A4	Draw:	Daniel
x.xx ±0.10	Check:	Daniel	2020-11-11	
x.xxx ±0.05				