

1
RoHS Compliance

2

3

4

5

6

7

8

A

B

C

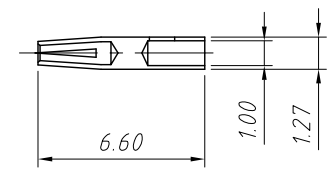
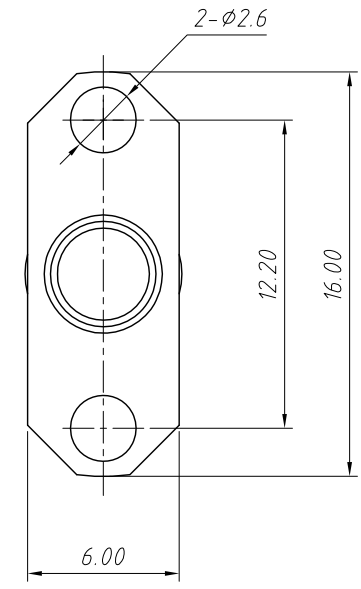
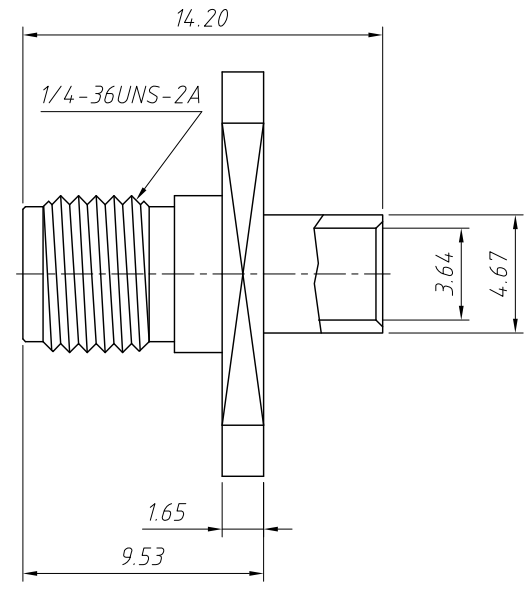
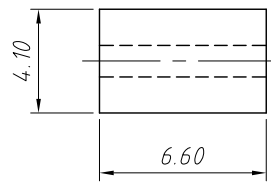
D

E

F

G

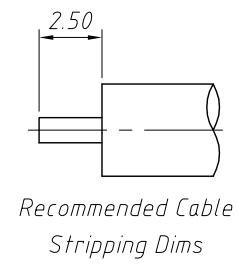
H



Material:
 Body: Brass, Gold Plating
 Insulator: TEFLON, Natural
 Contact Pin: Ber. Copper, Gold Plating

Electrical:
 Impedance: 50Ω

Mechanical:
 Durability: 500 Cycles Min.
 Temperature Range: -65°C to +165°C



ANGLE TOLERANCE	PROJECTION	Description:	2-Hole Flange Panel Mount SMA Cable Connector Straight (Jack, Female, 50Ω)	
±3°				
GENERAL TOLERANCE	UNITS	mm	KLS P/N:	L-KLS1-SMA112
x.x ±0.30	SHEET SIZE	A4		
x.xx ±0.20	Draw:	Daniel	2020-11-11	NingBo KLS ELECTRONIC CO.,L TD.
x.xxx ±0.10	Check:	Daniel	2020-11-11	

1

2

3

4

5

6

7

8

A

B

C

D

E

F

G

H