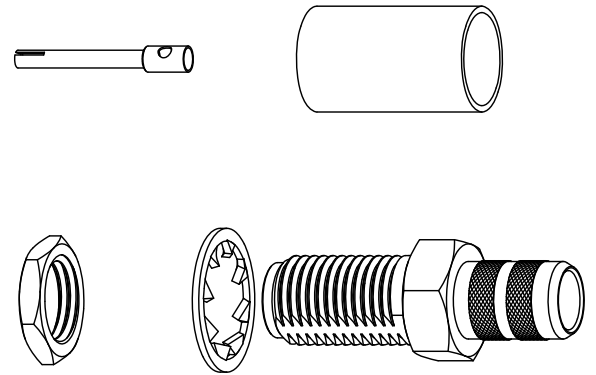
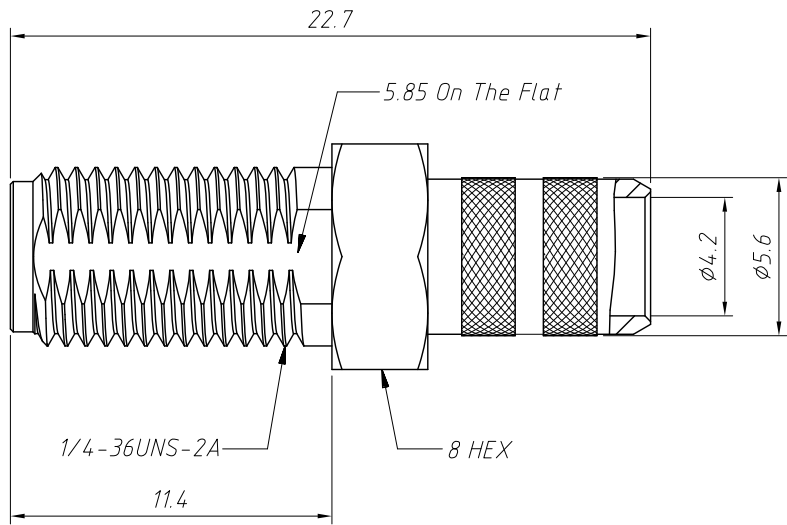
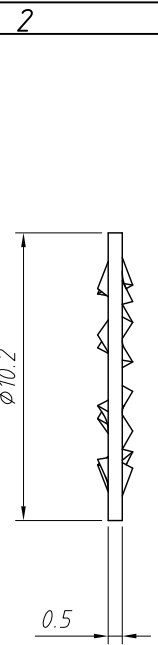


1  
RoHS Compliance



1.60

0.5

1/4-36UNS-2A  
11.4

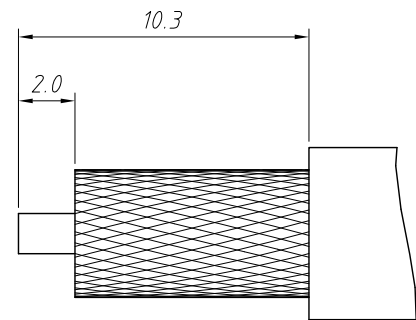
8 HEX

**Material:**  
Body: Brass, Gold Plating  
Insulator: TEFLON, Natural  
Contact Pin: Ber. Copper, Gold Plating

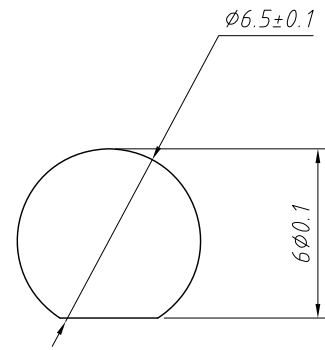
**Electrical:**  
Impedance: 50Ω  
Frequency Range: 0-12.4 GHz  
Dielectric Withstanding Voltage: 1000 VRMS, Min

**Mechanical:**  
Durability: 500 Cycles Min.  
Temperature Range: -65°C to +165°C

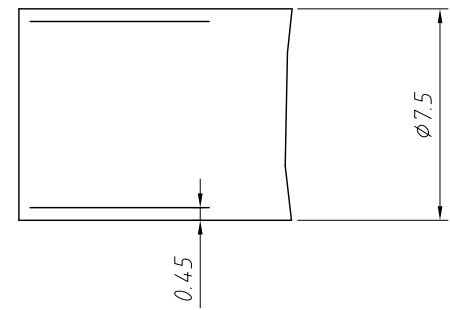
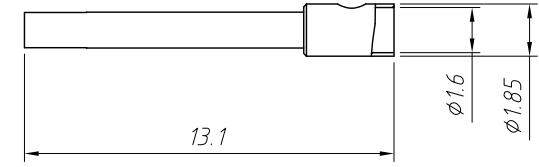
Crimped Ferrule HEX Crimp  
Contact Pin To Solder  
Max. Panel Thickness=3.2mm



RECOMMENDED CABLE STRIPPING DIMS



RECOMMENDED MOUNTING HOLE



|                   |            |              |   |                                 |
|-------------------|------------|--------------|---|---------------------------------|
| ANGLE TOLERANCE   | PROJECTION | Description: | Panel Mount SMA Cable Connector<br>Straight (Jack, Female, 50Ω) |                                 |
| ±3°               |            |              |   |                                 |
| GENERAL TOLERANCE | UNITS      | mm           | KLS P/N:  | L-KLS1-SMA116                   |
| x.x ±0.30         | SHEET SIZE | A4           |   |                                 |
| x.xx ±0.20        | Draw:      | Daniel       | 2020-11-11  | NingBo KLS ELECTRONIC CO.,L TD. |
| x.xxx ±0.10       | Check:     | Daniel       | 2020-11-11  |                                 |