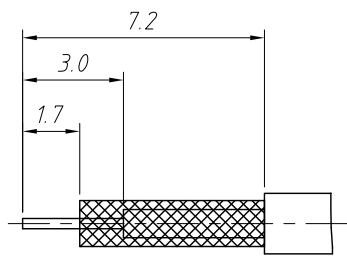
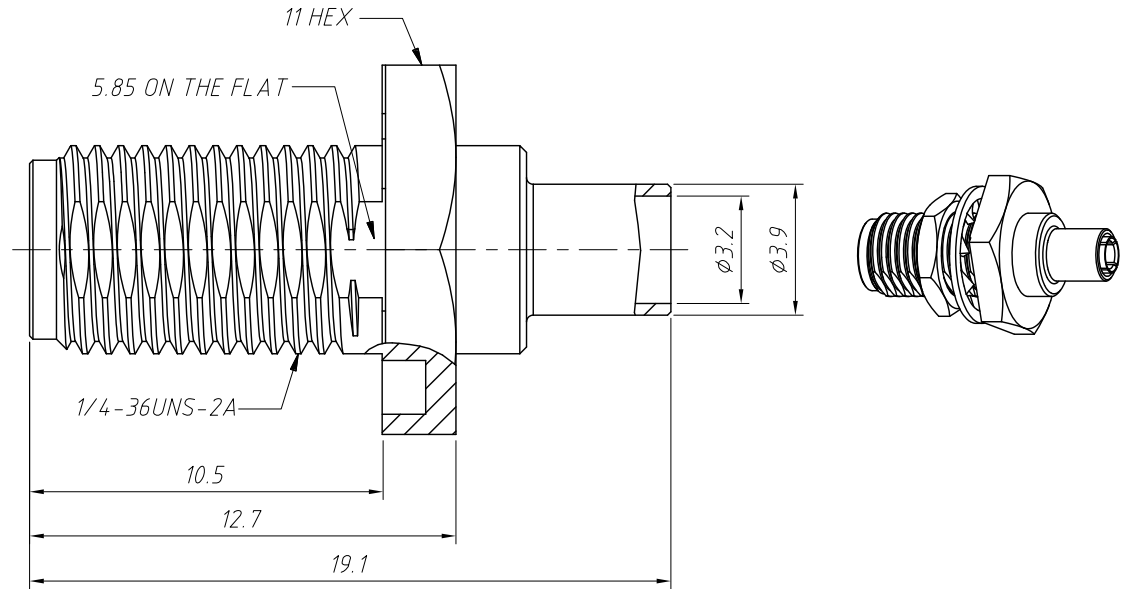
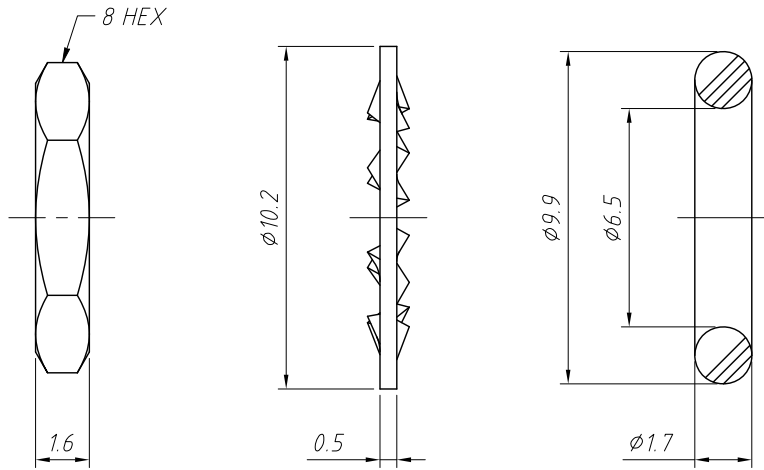
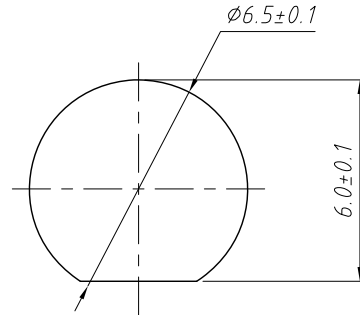


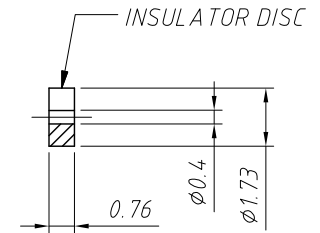
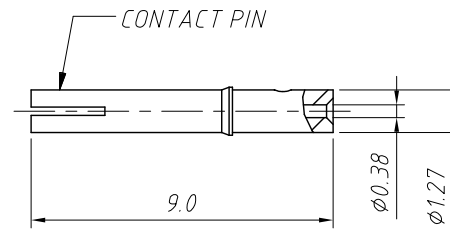
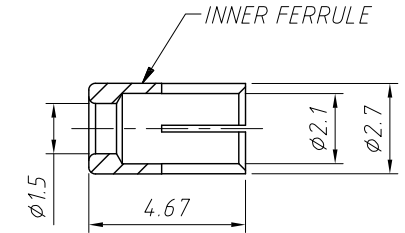
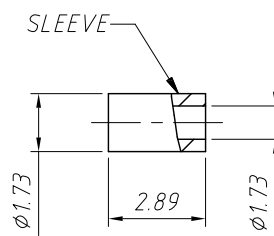
1 RoHS Compliance



RECOMMENDED CABLE STRIPPING DIMS



RECOMMENDED MOUNTING HOLE



**Material:**  
 Body: Brass, Gold Plating  
 Insulator: PTFE, Natural  
 Contact: Ber. Copper, Gold Plating  
 Lock Washer: Brass, Gold Plating  
 HEX Nut: Brass, Gold Plating  
 Gasket: Silicone Rubber, Red  
 Ferrule: Copper, Gold Plating  
 Sleeve: Brass, Gold Plating  
 Inner Ferrule: Brass, Gold Plating

**Electrical:**  
 Impedance: 50Ω  
 Frequency Range: DC-12.4 GHz  
 VSWR (Return Loss): 1.3 (-17.700 dB) Max. @ DC-3 GHz  
 D.W.V: 1000 VRMS. MIN.

**Mechanical:**  
 Durability: 500 Cycles Min.  
 Temperature Range: -65°C to +165°C  
 Crimped Ferrule HEX Crimp  
 Solder Contact Pin To Cable Center Conductor  
 Max. Panel Thickness = 3.2 mm

ANGLE TOLERANCE	PROJECTION	Description:	Panel Mount SMA Cable Connector Straight (Jack, Female, 50Ω)	
$\pm 3^\circ$				
GENERAL TOLERANCE	UNITS	mm	KLS P/N:	L-KLS1-SMA123
x.x $\pm 0.30$	SHEET SIZE	A4		
x.xx $\pm 0.20$	Draw:	Daniel	2020-11-11	NingBo KLS ELECTRONIC CO.,L TD.
x.xxx $\pm 0.10$	Check:	Daniel	2020-11-11	