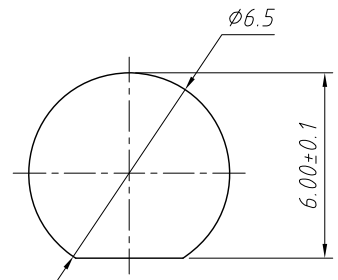
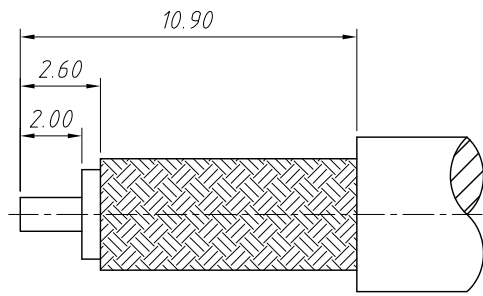
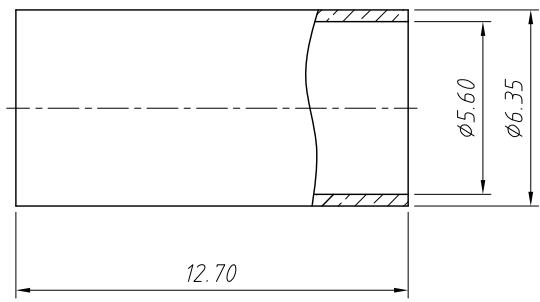
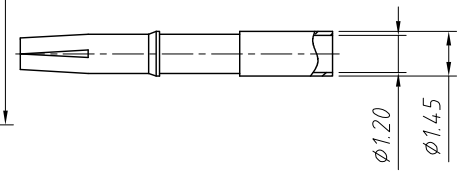
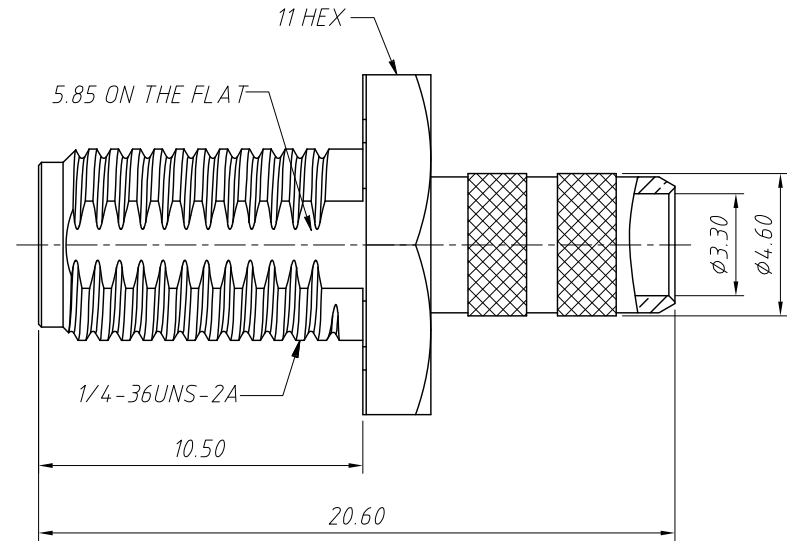
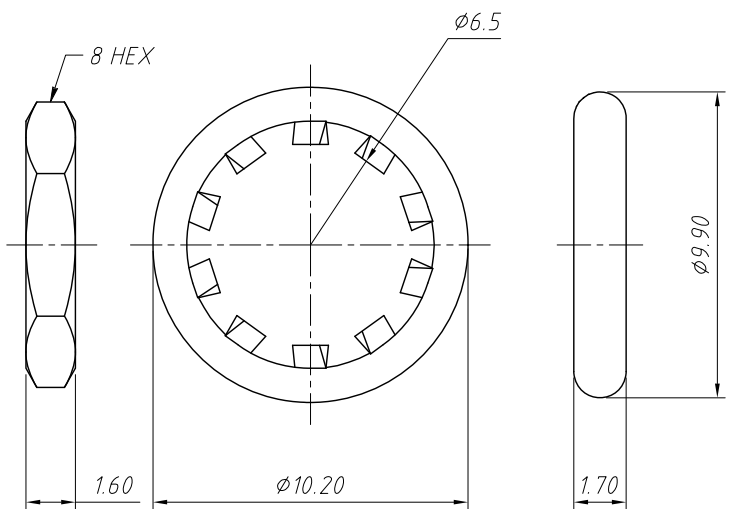


1 RoHS Compliance



Material:
 Body: Brass, Gold Plating
 Insulator: PTFE, Natural
 Contact: Ber. Copper, Gold Plating
 Lock Washer: Brass, Gold Plating
 HEX Nut: Brass, Gold Plating
 Gasket: Silicone Rubber, Red
 Ferrule: Copper, Gold Plating
 Ring: Brass, Gold Plating

Electrical:
 Impedance: 50Ω

Mechanical:
 Durability: 500 Cycles Min.
 Temperature Range: -65°C to +165°C
 Crimped Ferrule HEX Crimp
 Contact Pin To Solder

RECOMMENDED CABLE STRIPPING DIMS

RECOMMENDED MOUNTING HOLE

ANGLE TOLERANCE	PROJECTION	Description:	Panel Mount SMA Cable Connector Straight (Jack, Female, 50Ω)	
±3°				
GENERAL TOLERANCE	UNITS	mm	KLS P/N:	L-KLS1-SMA124
x.x ±0.30	SHEET SIZE	A4		
x.xx ±0.20	Draw:	Daniel	2020-11-11	
x.xxx ±0.10	Check:	Daniel	2020-11-11	

NingBo KLS ELECTRONIC CO.,L TD.