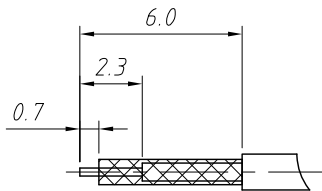
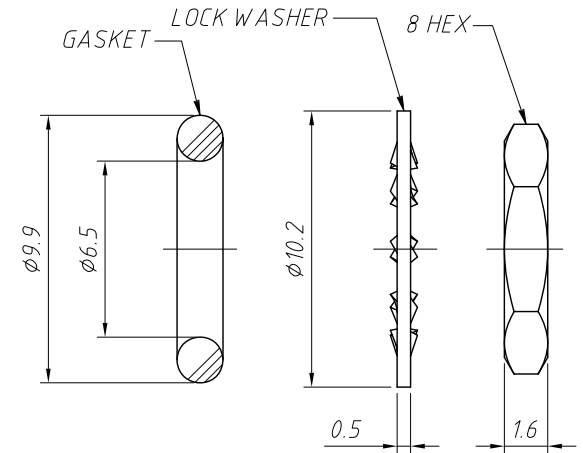
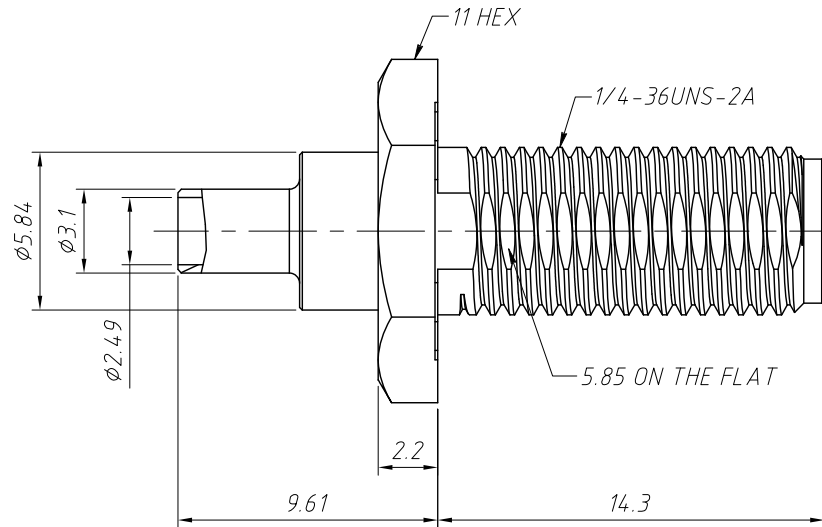
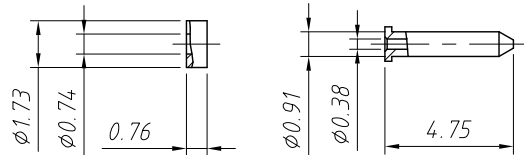
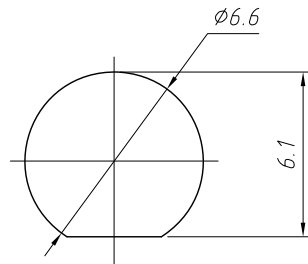


1 RoHS Compliance



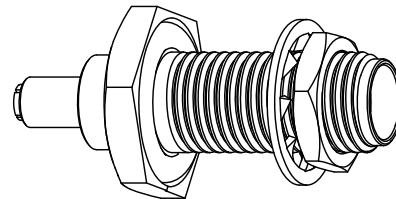
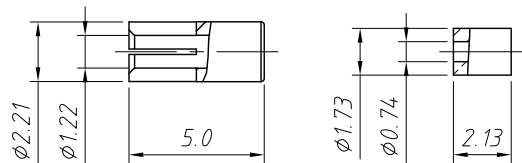
RECOMMENDED CABLE STRIPPING DIMS



RECOMMENDED MOUNTING HOLE

**Material:**  
 Body: Brass, Gold Plating  
 O-Ring: Silicone Rubber, Red  
 Contact: Brass, Gold Plating  
 Insulator: PTFE, Natural  
 Contact: Ber. Copper, Gold Plating  
 Sleeve: Brass, Gold Plating  
 Inner Ferrule: Brass, Gold Plating  
 Gasket: Silicone Rubber, Red  
 Lock Washer: Brass, Gold Plating  
 HEX Nut: Brass, Gold Plating

**Electrical:**  
 Impedance: 50Ω  
 Frequency Range: DC0-6 GHz  
 VSWR (Return Loss): 1.28 (18.22 dB) Max  
 D.W. V: 250 VRMS. MIN.  
**Mechanical:**  
 Durability: 500 Cycles Min.  
 Temperature Range: -65°C to +165°C  
 Crimped Ferrule HEX Crimp  
 Contact Pin To Solder  
 Max. Panel Thickness= 5.95 mm



ANGLE TOLERANCE	PROJECTION	Description:	Panel Mount SMA Cable Connector Straight (Jack, Female, 50Ω)	
±3°				
GENERAL TOLERANCE	UNITS	mm	KLS P/N:	L-KLS1-SMA125
x.x ±0.30	SHEET SIZE	A4		
x.xx ±0.20	Draw:	Daniel	2020-11-11	NingBo KLS ELECTRONIC CO.,L TD.
x.xxx ±0.10	Check:	Daniel	2020-11-11	