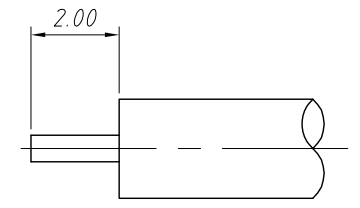
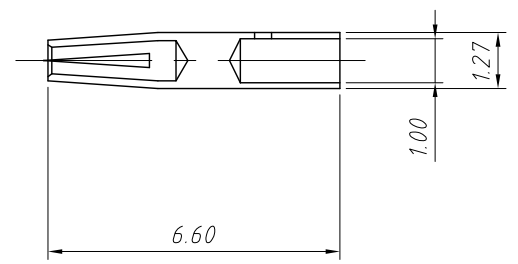
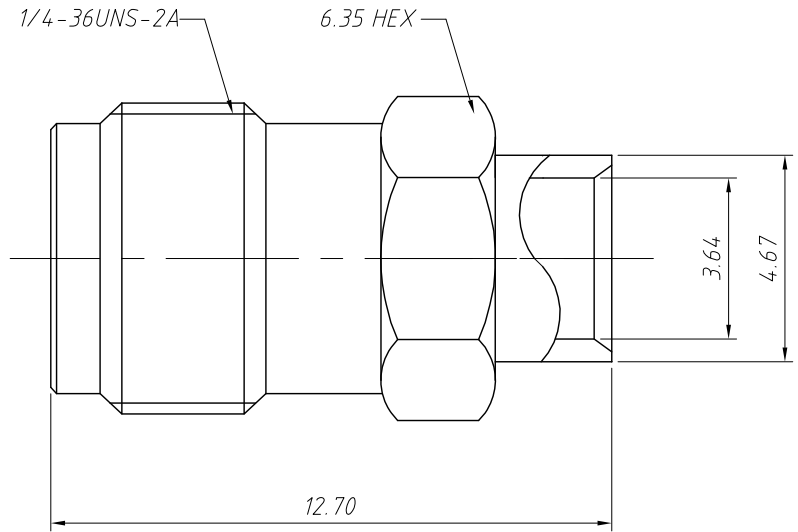


1
RoHS Compliance



RECOMMENDED CABLE STRIPPING DIMS

Material:
 Body: Brass, Gold Plating
 Insulator: Teflon, Natural
 Contact Pin: Ber. Copper, Gold Plating

Electrical:
 Impedance: 50Ω

Mechanical:
 Durability: 500 Cycles Min.
 Temperature Range: -65°C to +165°C

ANGLE TOLERANCE	PROJECTION	Description:	Panel Mount SMA Cable Connector Straight (Jack, Female, 50Ω)	
±3°				
GENERAL TOLERANCE	UNITS	mm	KLS P/N:	L-KLS1-SMA127
x.x ±0.30	SHEET SIZE	A4		
x.xx ±0.20	Draw:	Daniel	2020-11-11	NingBo KLS ELECTRONIC CO.,L TD.
x.xxx ±0.10	Check:	Daniel	2020-11-11	